

SARGENT®

ASSA ABLOY

PE80 Series Exit Device Parts Manual



For assistance, contact SARGENT at
800-727-5477 or www.sargentlock.com

Experience a safer
and more open world

 **WARNING**

This product can expose you to lead which is known to the state of California to cause cancer and birth defects or other reproductive harm. For more information go to www.P65warnings.ca.gov.

Copyright © 2023, SARGENT Manufacturing Company. All rights reserved. Reproduction in whole or in part without the express written permission of SARGENT Manufacturing Company is prohibited.

A8373A 05/23

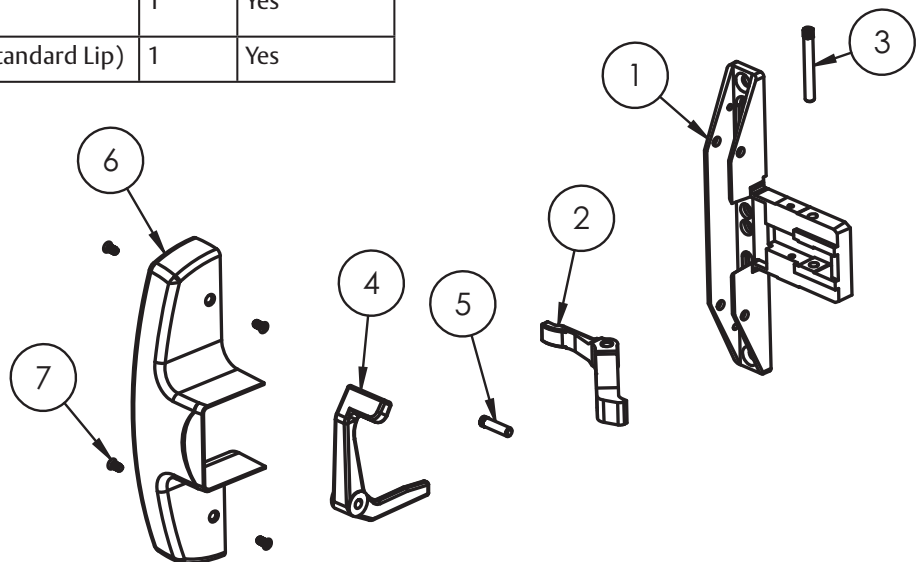
TOC	Table of Contents
1	Chassis Assemblies 4-76
-	PE8300 Narrow Stile Mortise Lock Exit Device4
-	PE8400 Narrow Stile Concealed Vertical Rod Exit Device 5-13
-	PE8500 Narrow Stile Rim Exit Device..... 14-15
-	PE8600 Wide Stile Concealed Vertical Rod Exit Device..... 16-26
-	PE8700 Wide Stile Surface Vertical Rod Exit Device..... 27-43
-	PE8800 Wide Stile Rim Exit Device 44-84
-	PE8900 Wide Stile Mortise Lock Exit Device 85-86
-	900 Series Mortise Locks..... 87-98
2	Rail Assemblies.....99-110
3	P700 Series Lever Trim Control..... 111-136
4	800 Series Trim 137-158
5	Auxiliary Controls 159-160

STD	PE8304	PE8310	PE8313	PE8315
12-	PE8328	PE8343	PE8344	PE8363
59-	PE8375	PE8376		
12- 59-				

Option	Size	Catalog #	Description	Sellable
(12-) All functions	1 3/4" Door	68-2481	LHRB	Yes
		68-2482	RHRB	Yes
	2"-2 3/4" Door	68-2483	LHRB	Yes
		68-2484	RHRB	Yes
(12-) 59- All functions	1 3/4" Door	PE-2346	LHRB	Yes
		PE-2347	RHRB	Yes
	2"-2 3/4" Door	PE-2348	LHRB	Yes
		PE-2349	RHRB	Yes

Item	Part #	Description	Qty	Sellable
1	68-0486	Chassis	1	Yes
2	68-0241	Lift Arm	1	Yes
	PE-0302	59- PE Lift Arm		Yes
3	68-0239	Pivot Pin (Lift Arm)	1	Yes
4	68-0489	Lift Lever LHRB 1 3/4" Door	1	Yes
	68-0490	Lift Lever RHRB 1 3/4" Door	1	Yes
	68-0491	Lift Lever LHRB 2 3/4" Door	1	Yes
	68-0492	Lift Lever RHRB 2 3/4" Door	1	Yes
5	68-0479	Pivot Pin (Lift Lever)	1	Yes
6	PE-0140	Cover ¹	1	Yes
7	68-3905	Cover Screw Pack ¹	1	Yes
Not Shown	—	900 Series Mortise Assembly ^{1,2,4}	1	Yes
	68-2520	Screw Pack Standard	1	Yes
	68-2522	Screw Pack (12-)	1	Yes
	C908	Strike Pack ³ (1 1/4" Standard Lip)	1	Yes

- ¹Specify finish
- ²Specify hand
- ³Specify lip length
- ⁴Specify function



Experience a safer
and more open world

The warranty on SARGENT® products becomes void if the product is modified in any way, regardless of whether the modification causes or contributes to any alleged defect. If a SARGENT product is modified it may no longer meet industry certification and quality control standards applicable to the original product and is no longer a genuine SARGENT product.

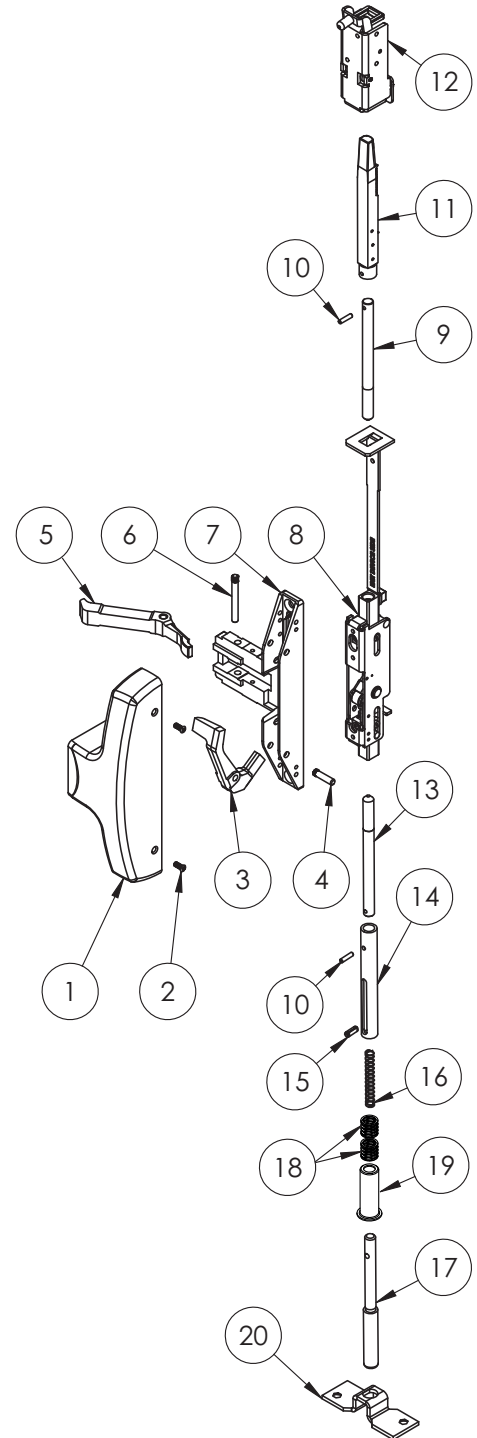
Copyright © 2023, SARGENT Manufacturing Company. All rights reserved. Reproduction in whole or in part without the express written permission of SARGENT Manufacturing Company is prohibited.

53-MD- PE8406 PE8443 PE8446
 MD- PE8410 PE8413 PE8415
 53-MD-5CH- PE8440 PE8474 PE8473
 MD-5CH-
 59-MD-

SARGENT®
ASSA ABLOY

Option	Assembly #	Description	Sellable
53-MD- (All Functions)	68-5944	LHRB Non-Cladded	Yes
MD- (All Functions)	68-5945	RHRB Non-Cladded	Yes
53-MD-5CH- (All Functions)	68-5946	LHRB 1/2" Cladded	Yes
MD-5CH- (All Functions)	68-5951	RHRB 1/2" Cladded	Yes
	68-6013	LHRB 1/4" Cladded	Yes
	68-6014	RHRB 1/4" Cladded	Yes
59-MD- (All Functions)	PE-2326	LHRB Non-Cladded	Yes
	PE-2327	RHRB Non-Cladded	Yes
	PE-2328	LHRB 1/2" Cladded	Yes
	PE-2329	RHRB 1/2" Cladded	Yes
	PE-2330	LHRB 1/4" Cladded	Yes
	PE-2331	RHRB 1/4" Cladded	Yes

Item	Assembly #	Part #	Description	Qty	Sellable
1	N/A	PE-0140	Chassis Cover, Narrow ¹	1	Yes
2		68-3905	Screw Pack (B) ¹	1	Yes
3	See chart above	68-1644	LHRB Non-Cladded	1	Yes
		68-1645	RHRB Non-Cladded		Yes
		68-1646	LHRB 1/2" Cladded		Yes
		68-1647	RHRB 1/2" Cladded		Yes
		68-1649	LHRB 1/4" Cladded		Yes
		68-1650	RHRB 1/4" Cladded		Yes
4			68-0479		Lift Lever Pivot Pin
5		68-0241	Lift Arm	1	Yes
6		PE-0302	59- PE Lift Arm		
7		68-0239	Pivot Pin (Lift Arm)		
8	PE-2657	N/A	Inner Chassis Assembly	1	Yes
	PE-2661		53- Inner Chassis Assembly		
	PE-2658		5CH- Inner Chassis Assembly		
	PE-2662		5CH-53- Inner Chassis Assembly		
9			Top Rod ^{2,3,4}	1	Yes
10	P692T		Coiled Pin	2	
11	5CH-P692T		Latch Bolt Assembly	1	
			5CH Latch Bolt Assembly	1	
12	68-5374		Top Case Assembly STD	1	Yes
	68-5375		Top Case Assembly 1/4" Cladded		Yes
	68-5376		Top Case Assembly 1/2" Cladded		Yes



Continued on the next page.

- ¹Specify finish
- ²Specify AFF
- ³Specify Opening Height
- ⁴Specify Standard or 5CH prefix before order.

A8373-A 05/23

The warranty on SARGENT® products becomes void if the product is modified in any way, regardless of whether the modification causes or contributes to any alleged defect. If a SARGENT product is modified it may no longer meet industry certification and quality control standards applicable to the original product and is no longer a genuine SARGENT product.

Copyright © 2023, SARGENT Manufacturing Company. All rights reserved. Reproduction in whole or in part without the express written permission of SARGENT Manufacturing Company is prohibited.

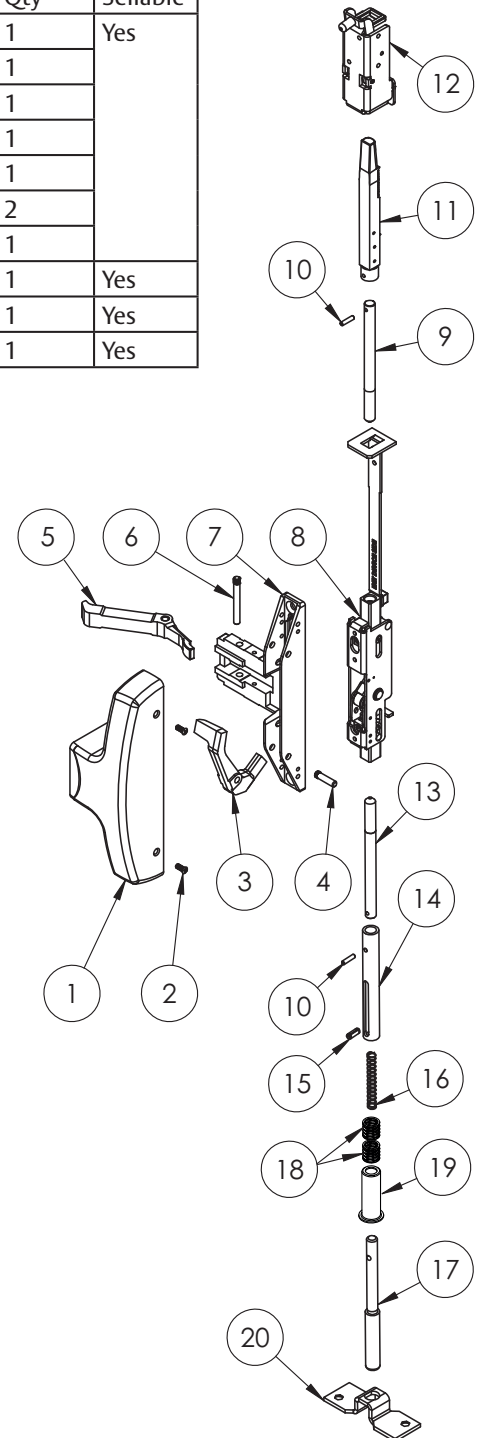
Experience a safer
and more open world

53-MD- PE8406 PE8443 PE8446
 MD- PE8410 PE8413 PE8415
 53-MD-5CH- PE8440 PE8474 PE8473
 MD-5CH-
 59-MD-



Item	Assembly #	Part #	Description	Qty	Sellable
13	MDP692B 5CH-MDP692B	N/A	Bottom Rod ^{2,3,4}	1	Yes
14			Bolt Sleeve	1	
15			Roll Pin	1	
16			Spring (Bottom Bolt)	1	
17			Bottom Bolt	1	
18			Bottom Bolt Sleeve Spring	2	
19			Bottom Bolt Sleeve (MD/WD)	1	
20	N/A	68-0888	Bottom Plate	1	Yes
		68-3676	Screw Pack ¹	1	Yes
		652	Strike Pack	1	Yes

- ¹Specify finish
- ²Specify AFF
- ³Specify Opening Height
- ⁴Specify Standard or 5CH prefix before order.



Experience a safer
and more open world

The warranty on SARGENT® products becomes void if the product is modified in any way, regardless of whether the modification causes or contributes to any alleged defect. If a SARGENT product is modified it may no longer meet industry certification and quality control standards applicable to the original product and is no longer a genuine SARGENT product.

Copyright © 2023, SARGENT Manufacturing Company. All rights reserved. Reproduction in whole or in part without the express written permission of SARGENT Manufacturing Company is prohibited.

A8373:1 05/23

12-53-MD- PE8406 PE8443 PE8446
 12-MD- PE8410 PE8413 PE8415
 12-53-MD-5CH- PE8440 PE8474 PE8473
 12-MD-5CH-
 12-59-MD-



Option	Assembly #	Description	Sellable
12-53-MD- (All Functions) 12-MD- (All Functions) 12-53-MD-5CH- (All Functions) 12-MD-5CH- (All Functions)	68-5944	LHRB Non-Cladded	Yes
	68-5945	RHRB Non-Cladded	Yes
	68-5946	LHRB 1/2" Cladded	Yes
	68-5951	RHRB 1/2" Cladded	Yes
	68-6013	LHRB 1/4" Cladded	Yes
	68-6014	RHRB 1/4" Cladded	Yes
12-59-MD- (All Functions)	PE-2326	LHRB Non-Cladded	Yes
	PE-2327	RHRB Non-Cladded	Yes
	PE-2328	LHRB 1/2" Cladded	Yes
	PE-2329	RHRB 1/2" Cladded	Yes
	PE-2330	LHRB 1/4" Cladded	Yes
	PE-2331	RHRB 1/4" Cladded	Yes

Item	Assembly #	Part #	Description	Qty	Sellable	
1	N/A	PE-0140	Chassis Cover, Narrow ¹	1	Yes	
2		68-3905	Screw Pack (B) ¹	1	Yes	
3	See chart above	68-1644	LHRB Non-Cladded	1	Yes	
		68-1645	RHRB Non-Cladded		Yes	
		68-1646	LHRB 1/2" Cladded		Yes	
		68-1647	RHRB 1/2" Cladded		Yes	
		68-1649	LHRB 1/4" Cladded		Yes	
		68-1650	RHRB 1/4" Cladded		Yes	
4	See chart above	68-0479	Lift Lever Pivot Pin	1	Yes	
5		68-0241	Lift Arm	1	Yes	
		PE-0302	59- PE Lift Arm			
6		68-0239	Pivot Pin (Lift Arm)	1	Yes	
7		68-0486	Chassis	1	Yes	
8		PE-2659	N/A	12- Inner Chassis Assembly	1	Yes
		PE-2663		12-53- Inner Chassis Assembly		Yes
	PE-2660	5CH-12- Inner Chassis Assembly		Yes		
	PE-2664	5CH-12-53- Inner Chassis Assembly		Yes		
9	P692T 5CH-P692T	N/A	Top Rod ^{2,3,4}	1	Yes	
10			Coiled Pin	2		
11			Latch Bolt Assembly	1		
			5CH Latch Bolt Assembly	1		
12	68-5374	N/A	Top Case Assembly STD	1	Yes	
	68-5375		Top Case Assembly 1/4" Cladded		Yes	
	68-5376		Top Case Assembly 1/2" Cladded		Yes	

¹Specify finish
²Specify AFF
³Specify Opening Height
⁴Specify Standard or 5CH prefix before order.

Continued on the next page.

A8373-A 05/23

The warranty on SARGENT® products becomes void if the product is modified in any way, regardless of whether the modification causes or contributes to any alleged defect. If a SARGENT product is modified it may no longer meet industry certification and quality control standards applicable to the original product and is no longer a genuine SARGENT product.

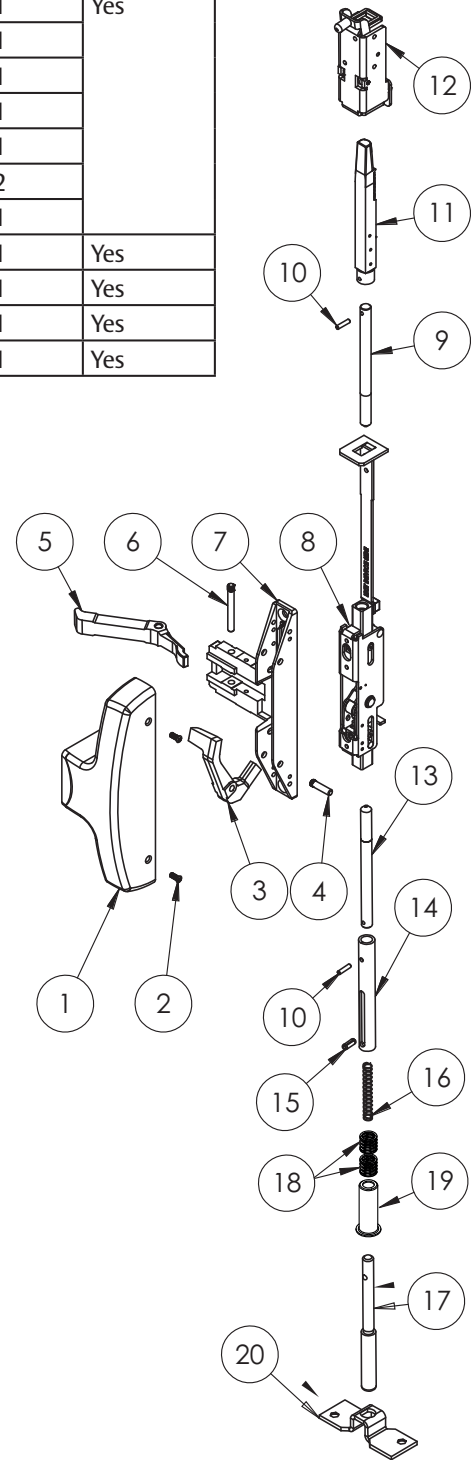
Copyright © 2023, SARGENT Manufacturing Company. All rights reserved. Reproduction in whole or in part without the express written permission of SARGENT Manufacturing Company is prohibited.

12-53-MD- PE8406 PE8443 PE8446
 12-MD- PE8410 PE8413 PE8415
 12-53-MD-5CH- PE8440 PE8474 PE8473
 12-MD-5CH-
 12-59-MD-



Item	Assembly #	Part #	Description	Qty	Sellable
13	MDP692B 5CH-MDP692B	N/A	Bottom Rod ^{2,3,4}	1	Yes
14			Bolt Sleeve	1	
15			Roll Pin	1	
16			Spring (Bottom Bolt)	1	
17			Bottom Bolt	1	
18			Bottom Bolt Sleeve Spring	2	
19			Bottom Bolt Sleeve (MD/WD)	1	
20	N/A	68-0888	Bottom Plate	1	Yes
		68-3676	Screw Pack ¹	1	Yes
		650	Top Strike Pack	1	Yes
		606	Bottom Strike Pack	1	Yes

- ¹Specify finish
- ²Specify AFF
- ³Specify Opening Height
- ⁴Specify Standard or 5CH prefix before order.



Experience a safer
and more open world

The warranty on SARGENT® products becomes void if the product is modified in any way, regardless of whether the modification causes or contributes to any alleged defect. If a SARGENT product is modified it may no longer meet industry certification and quality control standards applicable to the original product and is no longer a genuine SARGENT product.

Copyright © 2023, SARGENT Manufacturing Company. All rights reserved. Reproduction in whole or in part without the express written permission of SARGENT Manufacturing Company is prohibited.

53-NB-MD- PE8406 PE8443 PE8446 PE8473
 NB-MD- PE8410 PE8413 PE8415 PE8440
 53-NB-MD-5CH- PE8474
 NB-MD-5CH-
 59-NB-MD-

SARGENT®
ASSA ABLOY

Option	Assembly #	Description	Sellable
53-NB-MD- (All Functions) NB-MD- (All Functions) 53-NB-MD-5CH- (All Functions) NB-MD-5CH- (All Functions)	68-5944	LHRB Non-Cladded	Yes
	68-5945	RHRB Non-Cladded	Yes
	68-5946	LHRB 1/2" Cladded	Yes
	68-5951	RHRB 1/2" Cladded	Yes
	68-6013	LHRB 1/4" Cladded	Yes
	68-6014	RHRB 1/4" Cladded	Yes
59-NB-MD- (All Functions)	PE-2326	LHRB Non-Cladded	Yes
	PE-2327	RHRB Non-Cladded	Yes
	PE-2328	LHRB 1/2" Cladded	Yes
	PE-2329	RHRB 1/2" Cladded	Yes
	PE-2330	LHRB 1/4" Cladded	Yes
	PE-2331	RHRB 1/4" Cladded	Yes

Item	Assembly #	Part #	Description	Qty	Sellable
1	N/A	PE-0140	Chassis Cover, Narrow ¹	1	Yes
2		68-3905	Screw Pack (B) ¹	1	Yes
3	See chart above	68-1644	LHRB Non-Cladded	1	Yes
		68-1645	RHRB Non-Cladded		Yes
		68-1646	LHRB 1/2" Cladded		Yes
		68-1647	RHRB 1/2" Cladded		Yes
		68-1649	LHRB 1/4" Cladded		Yes
		68-1650	RHRB 1/4" Cladded		Yes
4	See chart above	68-0479	Lift Lever Pivot Pin	1	Yes
5		68-0241	Lift Arm	1	Yes
		PE-0302	59- PE Lift Arm		
6		68-0486	Chassis	1	Yes
7		68-0239	Pivot Pin (Lift Arm)	1	Yes
8	PE-2657	N/A	Inner Chassis Assembly	1	Yes
	PE-2661		53- Inner Chassis Assembly		Yes
	PE-2658		5CH- Inner Chassis Assembly		Yes
	PE-2662		5CH-53- Inner Chassis Assembly		Yes
9	P692T 5CH-P692T		Top Rod ^{2,3,4}	1	Yes
10			Coiled Pin	2	
11			Latch Bolt Assembly	1	
			5CH Latch Bolt Assembly	1	
12	68-5374		Top Case Assembly STD	1	Yes
	68-5375		Top Case Assembly 1/4" Cladded		Yes
	68-5376		Top Case Assembly 1/2" Cladded		Yes
13	N/A	68-3676	Screw Pack ¹	1	Yes
		650	Top Strike Pack	1	Yes

¹Specify finish
²Specify AFF
³Specify Opening Height
⁴Specify Standard or 5CH prefix before order.

A8373-A 05/23

Continued on the next page.

The warranty on SARGENT® products becomes void if the product is modified in any way, regardless of whether the modification causes or contributes to any alleged defect. If a SARGENT product is modified it may no longer meet industry certification and quality control standards applicable to the original product and is no longer a genuine SARGENT product.

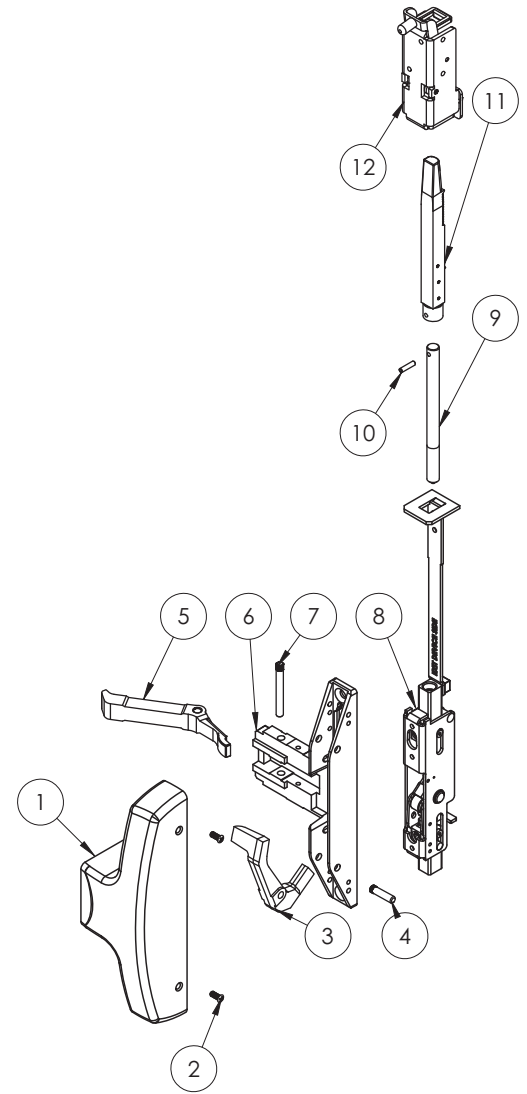
Copyright © 2023, SARGENT Manufacturing Company. All rights reserved. Reproduction in whole or in part without the express written permission of SARGENT Manufacturing Company is prohibited.

12-53-NB-MD- PE8406 PE8443 PE8446 PE8473
 12-NB-MD- PE8410 PE8413 PE8415 PE8440
 12-53-NB-MD-5CH- PE8474
 12-NB-MD-5CH-
 12-59-NB-MD-



Option	Assembly #	Description	Sellable
12-53-NB-MD- (All Functions)	68-5944	LHRB Non-Cladded	Yes
12-NB-MD- (AllFunctions)	68-5945	RHRB Non-Cladded	Yes
12-53-NB-MD-5CH- (All Functions)	68-5946	LHRB 1/2" Cladded	Yes
12-NB-MD-5CH- (All Functions)	68-5951	RHRB 1/2" Cladded	Yes
	68-6013	LHRB 1/4" Cladded	Yes
	68-6014	RHRB 1/4" Cladded	Yes
12-59-NB-MD- (AllFunctions)	PE-2326	LHRB Non-Cladded	Yes
	PE-2327	RHRB Non-Cladded	Yes
	PE-2328	LHRB 1/2" Cladded	Yes
	PE-2329	RHRB 1/2" Cladded	Yes
	PE-2330	LHRB 1/4" Cladded	Yes
	PE-2331	RHRB 1/4" Cladded	Yes

Item	Assembly #	Part #	Description	Qty	Sellable
1	N/A	PE-0140	Chassis Cover, Narrow ¹	1	Yes
2		68-3905	Screw Pack (B) ¹	1	Yes
3	See chart above	68-1644	LHRB Non-Cladded	1	Yes
		68-1645	RHRB Non-Cladded		Yes
		68-1646	LHRB 1/2" Cladded		Yes
		68-1647	RHRB 1/2" Cladded		Yes
		68-1649	LHRB 1/4" Cladded		Yes
		68-1650	RHRB 1/4" Cladded		Yes
4		68-0479	Lift Lever Pivot Pin	1	Yes
5		68-0241	Lift Arm	1	Yes
		PE-0302	59- PE Lift Arm		
6		68-0486	Chassis	1	Yes
7		68-0239	Pivot Pin (Lift Arm)	1	Yes
8	PE-2659	N/A	12- Inner Chassis Assembly	1	Yes
	PE-2663		12-53- Inner Chassis Assembly		Yes
	PE-2660		5CH-12- Inner Chassis Assembly		Yes
	PE-2664		5CH-12-53- Inner Chassis Assembly		Yes
9					Top Rod ^{2,3,4}
10	P692T		Coiled Pin	2	
11	5CH-P692T		Latch Bolt Assembly	1	
			5CH Latch Bolt Assembly	1	
12	68-5374	67-7938	Top Case Assembly STD	1	Yes
	68-5375		Top Case Assembly 1/4" Cladded		Yes
	68-5376		Top Case Assembly 1/2" Cladded		Yes
13	N/A	68-3676	Screw Pack ¹	1	Yes
		650	Top Strike Pack	1	Yes



- ¹Specify finish
- ²Specify AFF
- ³Specify Opening Height
- ⁴Specify Standard or 5CH prefix before order.

Experience a safer
and more open world

The warranty on SARGENT® products becomes void if the product is modified in any way, regardless of whether the modification causes or contributes to any alleged defect. If a SARGENT product is modified it may no longer meet industry certification and quality control standards applicable to the original product and is no longer a genuine SARGENT product.
 Copyright © 2023, SARGENT Manufacturing Company. All rights reserved. Reproduction in whole or in part without the express written permission of SARGENT Manufacturing Company is prohibited.

A8373:1 05/23

53-AD- PE8406 PE8474 PE8440 PE8410
 AD- PE8413 PE8415 PE8443 PE8446
 53-AD-5CH- PE8473
 AD-5CH-
 59-AD-



Option	Assembly #	Description	Sellable
53-AD- (All Functions) AD- (All Functions) 53-AD-5CH- (All Functions) AD-5CH- (All Functions)	68-5944	LHRB Non-Cladded	Yes
	68-5945	RHRB Non-Cladded	Yes
	68-5946	LHRB 1/2" Cladded	Yes
	68-5951	RHRB 1/2" Cladded	Yes
	68-6013	LHRB 1/4" Cladded	Yes
	68-6014	RHRB 1/4" Cladded	Yes
59-AD- (All Functions)	PE-2326	LHRB Non-Cladded	Yes
	PE-2327	RHRB Non-Cladded	Yes
	PE-2328	LHRB 1/2" Cladded	Yes
	PE-2329	RHRB 1/2" Cladded	Yes
	PE-2330	LHRB 1/4" Cladded	Yes
	PE-2331	RHRB 1/4" Cladded	Yes

Item	Catalog #	Part #	Description	Qty	Sellable
1	N/A	PE-0140	Chassis Cover, Narrow ¹	1	Yes
2		68-3905	Screw Pack (B) ¹	1	Yes
3	See chart above	68-1644	LHRB Non-Cladded	1	Yes
		68-1645	RHRB Non-Cladded		Yes
		68-1646	LHRB 1/2" Cladded		Yes
		68-1647	RHRB 1/2" Cladded		Yes
		68-1649	LHRB 1/4" Cladded		Yes
		68-1650	RHRB 1/4" Cladded		Yes
4		68-0479	Lift Lever Pivot Pin	1	Yes
5		68-0241	Lift Arm	1	Yes
		PE-0302	59- PE Lift Arm		
6		68-0239	Pivot Pin (Lift Arm)	1	Yes
7		68-0486	Chassis	1	Yes
8	PE-2657	N/A	Inner Chassis Assembly	1	Yes
	PE-2661		53- Inner Chassis Assembly		Yes
	PE-2658		5CH- Inner Chassis Assembly		Yes
	PE-2662		5CH-53- Inner Chassis Assembly		Yes
9			Top Rod ^{2,3,4}	1	Yes
10	P692T		Coiled Pin	2	
11	5CH-P692T		Latch Bolt Assembly	1	
			5CH Latch Bolt Assembly	1	
12	68-5374		Top Case Assembly STD	1	Yes
	68-5375		Top Case Assembly 1/4" Cladded		Yes
	68-5376		Top Case Assembly 1/2" Cladded		Yes

¹Specify finish
²Specify AFF
³Specify Opening Height
⁴Specify Standard or 5CH prefix before order.

Continued on the next page.

A8373-A 05/23

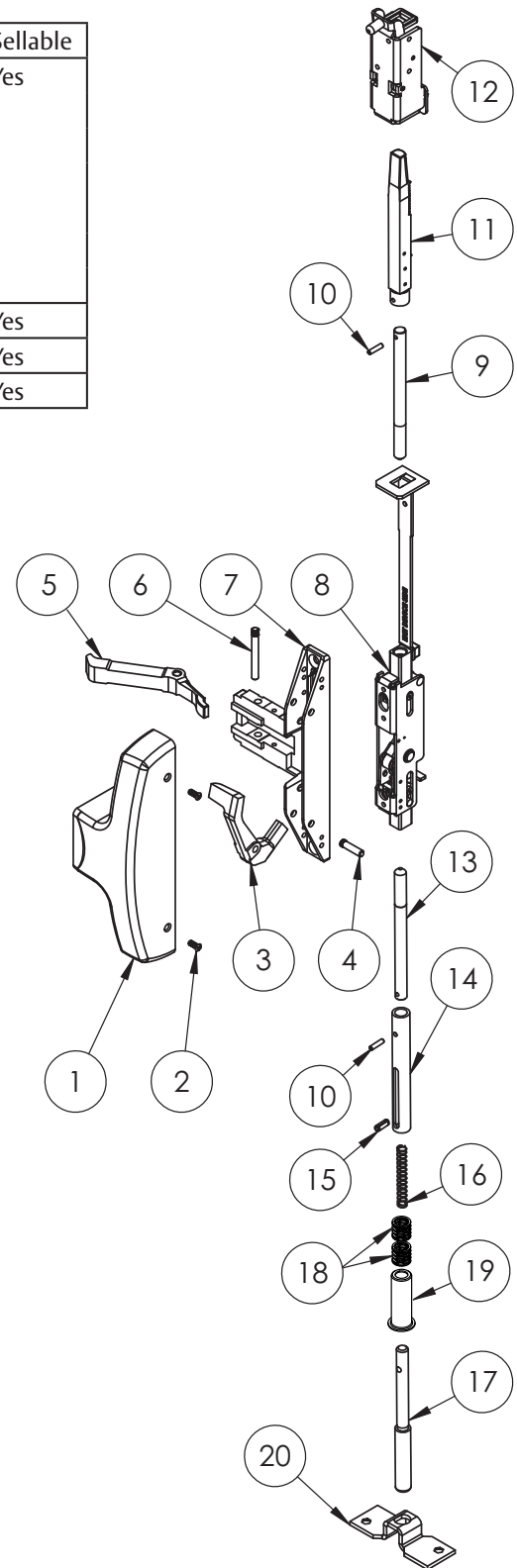
The warranty on SARGENT® products becomes void if the product is modified in any way, regardless of whether the modification causes or contributes to any alleged defect. If a SARGENT product is modified it may no longer meet industry certification and quality control standards applicable to the original product and is no longer a genuine SARGENT product.

Copyright © 2023, SARGENT Manufacturing Company. All rights reserved. Reproduction in whole or in part without the express written permission of SARGENT Manufacturing Company is prohibited.

53-AD- PE8406 PE8474 PE8440 PE8410
 AD- PE8413 PE8415 PE8443 PE8446
 53-AD-5CH- PE8473
 AD-5CH-
 59-AD-

Item	Catalog #	Part #	Description	Qty	Sellable
13	ADP692B 5CH-AD- P692B	N/A	Bottom Rod ^{2,3,4}	1	Yes
14			Bolt Sleeve	1	
15			Roll Pin	1	
16			Spring (Bottom Bolt)	1	
17			Bottom Bolt	1	
18			Bottom Bolt Sleeve Spring	2	
19			Bottom Bolt Sleeve (AD)	1	
20	N/A	68-0037	Bottom Case	1	Yes
		68-3676	Screw Pack ¹	1	Yes
		640	Aluminum Door Strike Pack	1	Yes

- ¹Specify finish
- ²Specify AFF
- ³Specify Opening Height
- ⁴Specify Standard or 5CH prefix before order.



Experience a safer
 and more open world

The warranty on SARGENT® products becomes void if the product is modified in any way, regardless of whether the modification causes or contributes to any alleged defect. If a SARGENT product is modified it may no longer meet industry certification and quality control standards applicable to the original product and is no longer a genuine SARGENT product.

Copyright © 2023, SARGENT Manufacturing Company. All rights reserved. Reproduction in whole or in part without the express written permission of SARGENT Manufacturing Company is prohibited.

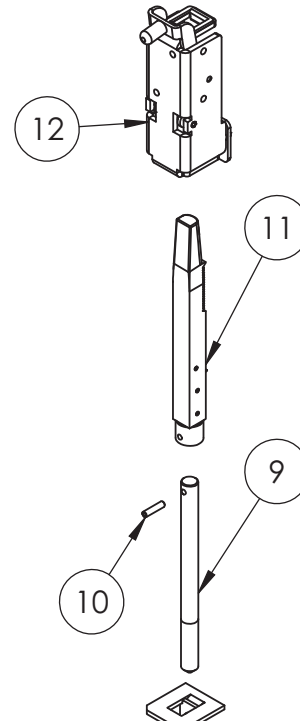
A8373:1 05/23

53-NB-AD-
 NB-AD-
 53-NB-AD-5CH-
 NB-AD-5CH-
 59-NB-AD-

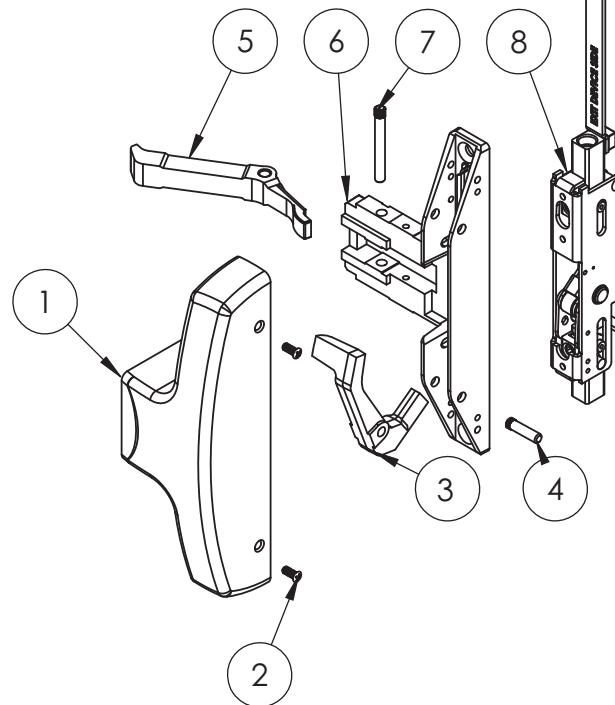
PE8406 PE8410 PE8413 PE8415 PE8440
 PE8443 PE8446 PE8473 PE8474

SARGENT®
ASSA ABLOY

Option	Assembly #	Description	Sellable
53-NB-AD- (All Functions) NB-AD- (All Functions) 53-NB-AD-5CH- (All Functions) NB-AD-5CH- (All Functions)	68-5944	LHRB Non-Cladded	Yes
	68-5945	RHRB Non-Cladded	Yes
	68-5946	LHRB 1/2" Cladded	Yes
	68-5951	RHRB 1/2" Cladded	Yes
	68-6013	LHRB 1/4" Cladded	Yes
	68-6014	RHRB 1/4" Cladded	Yes
59-NB-AD- (All Functions)	PE-2326	LHRB Non-Cladded	Yes
	PE-2327	RHRB Non-Cladded	Yes
	PE-2328	LHRB 1/2" Cladded	Yes
	PE-2329	RHRB 1/2" Cladded	Yes
	PE-2330	LHRB 1/4" Cladded	Yes
	PE-2331	RHRB 1/4" Cladded	Yes



Continued on the next page.



A8373-A 05/23

The warranty on SARGENT® products becomes void if the product is modified in any way, regardless of whether the modification causes or contributes to any alleged defect. If a SARGENT product is modified it may no longer meet industry certification and quality control standards applicable to the original product and is no longer a genuine SARGENT product.

Copyright © 2023, SARGENT Manufacturing Company. All rights reserved. Reproduction in whole or in part without the express written permission of SARGENT Manufacturing Company is prohibited.

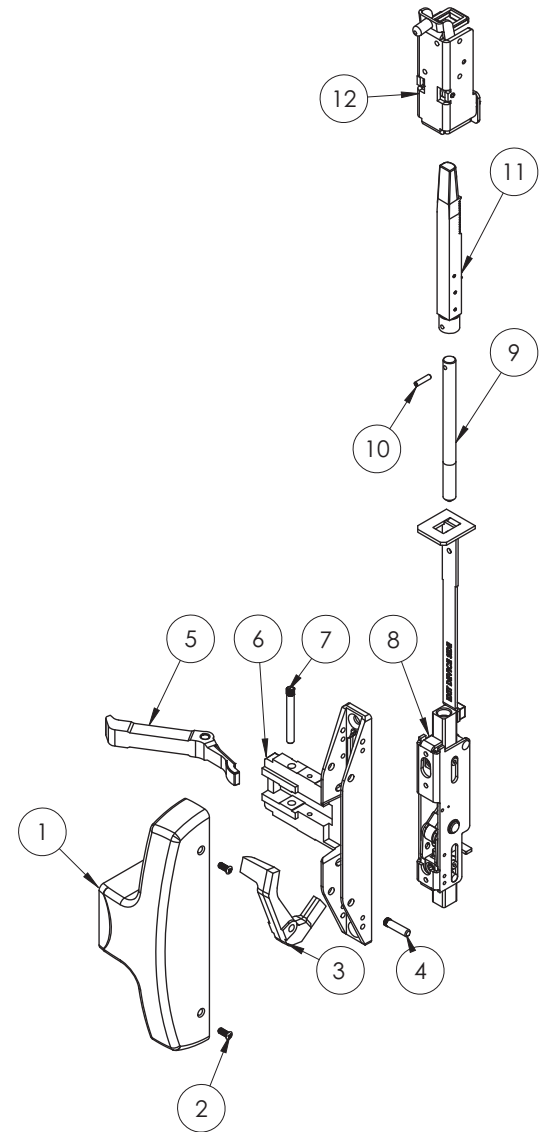
Experience a safer
 and more open world

53-NB-AD-
 NB-AD-
 53-NB-AD-5CH-
 NB-AD-5CH-
 59-NB-AD-

PE8406 PE8410 PE8413 PE8415 PE8440
 PE8443 PE8446 PE8473 PE8474

SARGENT
ASSA ABLOY

Item	Assembly #	Part #	Description	Qty	Sell-able
1	N/A	PE-0140	Chassis Cover, Narrow ¹	1	Yes
2		68-3905	Screw Pack (B) ¹	1	Yes
3	See chart above	68-1644	LHRB Non-Cladded	1	Yes
		68-1645	RHRB Non-Cladded		Yes
		68-1646	LHRB 1/2" Cladded		Yes
		68-1647	RHRB 1/2" Cladded		Yes
		68-1649	LHRB 1/4" Cladded		Yes
		68-1650	RHRB 1/4" Cladded		Yes
4			68-0479		Lift Lever Pivot Pin
5		68-0241	Lift Arm	1	Yes
		PE-0302	59- PE Lift Arm		
6		68-0486	Chassis	1	Yes
7		68-0239	Pivot Pin (Lift Arm)	1	Yes
8	PE-2657	N/A	Inner Chassis Assembly	1	Yes
	PE-2661		53- Inner Chassis Assembly		Yes
	PE-2658		5CH- Inner Chassis Assembly		Yes
	PE-2662		5CH-53- Inner Chassis Assembly		Yes
9			Top Rod ^{2,3,4}	1	Yes
10	P692T		Coiled Pin	2	Yes
11	5CH-P692T		Latch Bolt Assembly	1	Yes
			5CH Latch Bolt Assembly	1	Yes
12	68-5374		Top Case Assembly STD	1	Yes
	68-5375		Top Case Assembly 1/4" Cladded		Yes
	68-5376		Top Case Assembly 1/2" Cladded		Yes
13	N/A	68-3676	Screw Pack ¹	1	Yes
		639	Aluminum Door Strike Pack	1	Yes



- ¹Specify finish
- ²Specify AFF
- ³Specify Opening Height
- ⁴Specify Standard or 5CH prefix before order.

Experience a safer
 and more open world

The warranty on SARGENT® products becomes void if the product is modified in any way, regardless of whether the modification causes or contributes to any alleged defect. If a SARGENT product is modified it may no longer meet industry certification and quality control standards applicable to the original product and is no longer a genuine SARGENT product.

Copyright © 2023, SARGENT Manufacturing Company. All rights reserved. Reproduction in whole or in part without the express written permission of SARGENT Manufacturing Company is prohibited.

A8373:1 05/23

STD PE8504 PE8506 PE8510 PE8513 PE8515
12- PE8540 PE8543 PE8544 PE8546 PE8573
53- PE8574
12-53-
5CH-
12-5CH-
53-5CH-
12-53-5CH-

SARGENT®
ASSA ABLOY

Option	Assembly #	Description	Sellable
12- (All functions)	68-5880	LHRB/RHRB	Yes
12- 53- (All functions)	68-7411	LHRB/RHRB	Yes
12- 5CH- (All functions)	68-8009	LHRB/RHRB	Yes
12- 53- 5CH- (All functions)	68-8010	LHRB/RHRB	Yes

Item	Assembly #	Part #	Description	Qty	Sellable
1	N/A	PE-0139	Cover ¹	1	Yes
2		68-3905	Cover Screw Pack ¹	1	Yes
3		68-1137	Lift Arm	1	Yes
		PE-0302	59- PE Lift Arm		
4		98-0028	Latchbolt Spring	1	Yes
		68-1831	Latch Bolt Spring (5CH-)	1	Yes
5		01-4512	Spirol Pin	2	Yes
6		01-0008	Groove Pin	2	No
7		68-7420	Latchbolt Assembly (53-)	1	Yes
		68-6021	Latchbolt Assembly (Std)	1	Yes
8	68-6082	68-1624	8500 Chassis	1	No
9		68-1625	Lift Lever (RHRB)	1	
10		68-1626	Lift Lever (LHRB)	1	
11		94-0088	Cylinder Hub	2	
12		01-0005	Retaining Ring, Truarc 5100-43	2	
13		68-0479	Lift Lever Pivot Pin	2	
14	N/A	52-0310	Cable Clamp (53-)	1	Yes
15		01-1482	Cr-Phms (#2-56 X 1/8") (53-)	1	Yes
16		13-0458	Cylinder Retainer Pack (04 & 044 Functions Only)	1	Yes
17		68-1686	Switch Bracket (53-)	1	Yes
18		01-1220	#6-32 X 3/8" Length Ph Pn Hd Machine Screw (53-)	1	Yes
19		52-4545	Switch Assembly (53-)	1	Yes
20		01-9446	Machine Screw (#1-72 X 11/32" Ph Fl Hd) (53-)	1	Yes
21		01-0909	Hex Machine Screw Nut (53-)	1	Yes
Not Shown		68-2512	Screw Pack	1	Yes
		657	Strike Pack	1	Yes

¹Specify finish

Continued on the next page.

A8373-A 05/23

14

The warranty on SARGENT® products becomes void if the product is modified in any way, regardless of whether the modification causes or contributes to any alleged defect. If a SARGENT product is modified it may no longer meet industry certification and quality control standards applicable to the original product and is no longer a genuine SARGENT product.

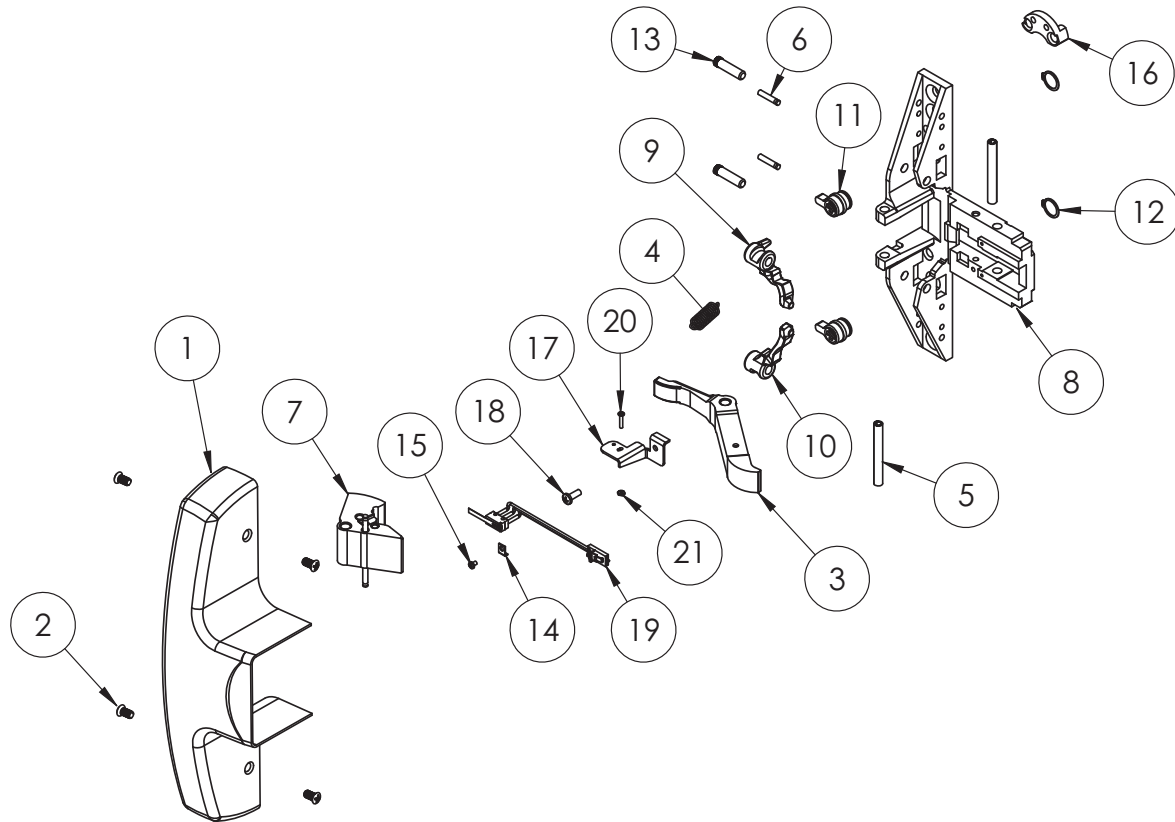
Copyright © 2023, SARGENT Manufacturing Company. All rights reserved. Reproduction in whole or in part without the express written permission of SARGENT Manufacturing Company is prohibited.

Experience a safer
and more open world

STD
 12-
 53-
 12-53-
 5CH-
 12-5CH-
 53-5CH-
 12-53-5CH-

PE8504	PE8506	PE8510	PE8513	PE8515
PE8540	PE8543	PE8544	PE8546	PE8573
PE8574				

SARGENT
 ASSA ABLOY



Experience a safer
 and more open world

The warranty on SARGENT® products becomes void if the product is modified in any way, regardless of whether the modification causes or contributes to any alleged defect. If a SARGENT product is modified it may no longer meet industry certification and quality control standards applicable to the original product and is no longer a genuine SARGENT product.

Copyright © 2023, SARGENT Manufacturing Company. All rights reserved. Reproduction in whole or in part without the express written permission of SARGENT Manufacturing Company is prohibited.

A8373:1 05/23

GL-
12-GL-
59-
12-59-

PE8504
PE8540
PE8574

PE8506
PE8543

PE8510
PE8544

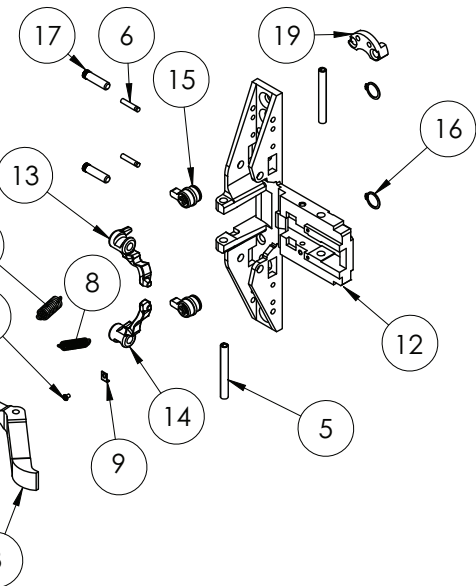
PE8513
PE8546

PE8515
PE8573

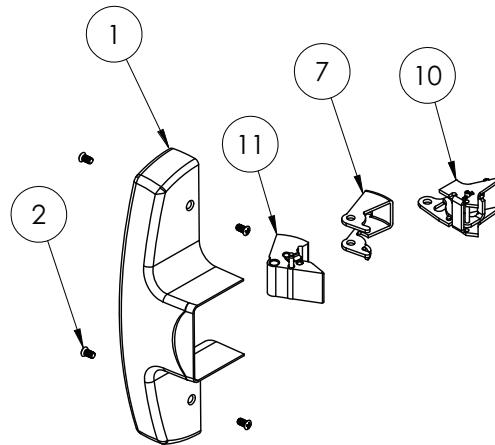
SARGENT®
ASSA ABLOY

Option	Assembly #	Description	Sellable
12- GL- (All functions)	68-5881	LHRB/RHRB	Yes
12- 59- (All functions)	PE-2325	LHRB/RHRB	Yes

Item	Assembly #	Part #	Description	Qty	Sellable
1	N/A	PE-0163	Cover ¹	1	Yes
2		—	Screw Pack ¹	1	Yes
3		68-1353	Lift Arm (Guarded)	1	Yes
		PE-0301	59- PE Lift Arm (Guarded)		
4		98-0028	Latchbolt Spring	1	Yes
5		01-4512	Spirol Pin	2	Yes
6		01-0008	Groove Pin	2	No
7		68-1352	Guide	1	Yes
8		68-1394	Extension Spring	1	Yes
9		52-0310	Cable Clamp (59-)	1	Yes
10		68-5949	Guard Bracket & Switch Assembly (59-)	1	No
	68-5947	8500 Guard Bracket Assembly (GL-)	1	No	
11	68-4415	Guarded Latchbolt	1	Yes	
12	68-6082	68-1624	8500 Chassis	1	No
13		68-1625	Lift Lever (RHRB)	1	
14		68-1626	Lift Lever (LHRB)	1	
15		94-0088	Cylinder Hub	2	
16		01-0005	Retaining Ring	2	
17		68-0479	Lift Lever Pivot Pin	2	
18	N/A	01-1482	Cr-Phms (#2-56 X 1/8") (59-)	1	Yes
19		13-0458	Cylinder Retainer Pack (04 & 044 Functions Only)	1	Yes
Not Shown		68-2512	Screw Pack	1	Yes
	657	Strike Pack	1	Yes	



¹Specify finish.



A8373-A 05/23

The warranty on SARGENT® products becomes void if the product is modified in any way, regardless of whether the modification causes or contributes to any alleged defect. If a SARGENT product is modified it may no longer meet industry certification and quality control standards applicable to the original product and is no longer a genuine SARGENT product.

16

Copyright © 2023, SARGENT Manufacturing Company. All rights reserved. Reproduction in whole or in part without the express written permission of SARGENT Manufacturing Company is prohibited.

Experience a safer
and more open world

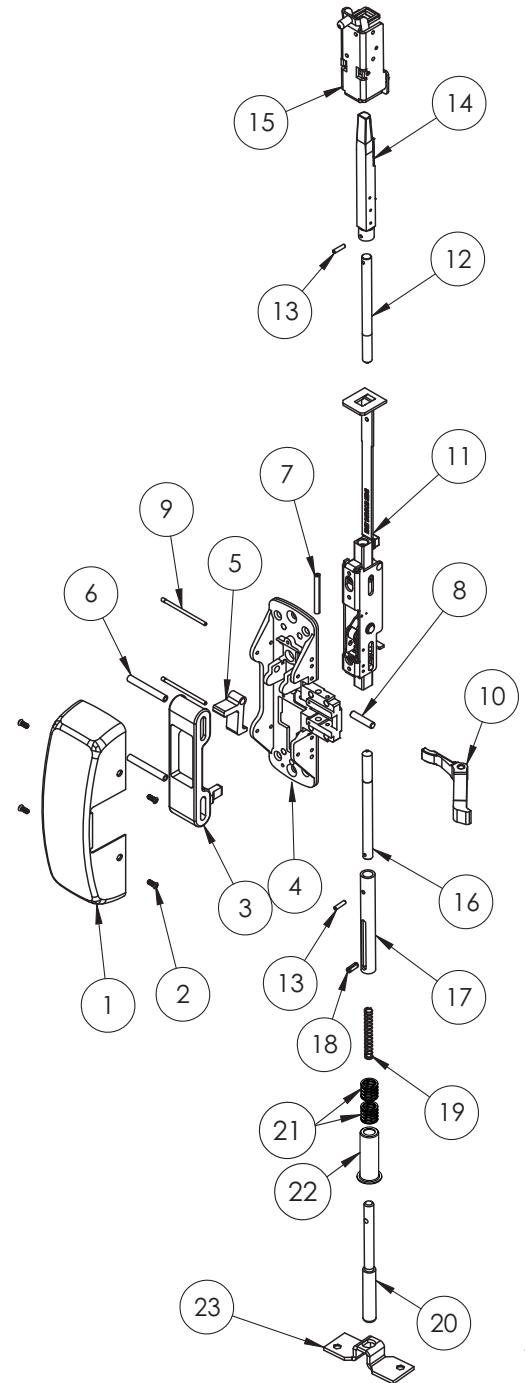
53-MD- PE8606 PE8643 PE8646 PE8673
 59-MD- PE8610 PE8613 PE8615 PE8674
 MD- PE8640
 53-MD-5CH-
 MD-5CH-

SARGENT
ASSA ABLOY

Option	Assembly #	Description	Sellable
53-MD- MD- 53-MD-5CH MD-5CH- (All Functions)	68-5068 68-5069	LHRB Chassis Assembly RHRB Chassis Assembly	Yes
59-MD-	PE-2332	LHRB Chassis Assembly	Yes
	PE-2333	RHRB Chassis Assembly	

Item	Assembly #	Part #	Description	Qty	Sellable		
1	N/A	PE-0146	Chassis Cover ¹	1	Yes		
2		68-3905	Screw Pack (B) ¹	1	Yes		
3	See chart above	68-0011	Main Slide	1	Yes		
		68-1815	59- Main Slide		No		
		68-1836	Main Slide Cup to 1/2" Cladding ⁵		Yes		
4		68-1505	Chassis (LH)	1	Yes		
		68-1506	Chassis (RH)		Yes		
5		68-1503	Lift Lever	1	Yes		
6		68-0012	Roller (Main Slide)	2	Yes		
7		01-4512	Spirol Pin	1	Yes		
8		68-0324	Lift Lever Pivot Pin	1	Yes		
9		68-0323	Chassis Pin	2	Yes		
	68-0241	Lift Arm					
10	PE-0302	59- Lift Arm	1	Yes			
11	PE-2657	N/A	Inner Chassis Assembly	1	Yes		
	PE-2661		53- Inner Chassis Assembly ⁴		Yes		
	PE-2658		5CH- Inner Chassis Assembly		Yes		
	PE-2662		5CH-53- Inner Chassis Assembly		Yes		
12	P692T 5CH-P692T	N/A	Top Rod ^{2,3,6}	1	Yes		
13			Coiled Pin	2			
14			Latch Bolt Assembly	1			
			5CH Latch Bolt Assembly	1			
15	68-5374	N/A	Top Case Assembly STD	1	Yes		
	68-5375		Top Case Assembly 1/4" Cladded		Yes		
	68-5376		Top Case Assembly 1/2" Cladded		Yes		
16	MDP692B 5CH-MD- P692B	N/A	Bottom Rod ^{2,3,4}	1	Yes		
17			Bolt Sleeve	1			
18			Roll Pin	1			
19			Spring (Bottom Bolt)	1			
20			Bottom Bolt	1			
21			Bottom Bolt Sleeve Spring	2			
22			Bottom Bolt Sleeve (MD/WD)	1			
23			N/A	68-0888	Bottom Plate	1	Yes
				68-4389	Screw Pack (W) ¹	1	Yes
				652	Strike Pack	1	Yes

- ¹Specify finish
- ²Specify AFF
- ³Specify Opening Height
- ⁴Also used with 59-
- ⁵Cut the main slide finger as needed for panel thickness.
- ⁶Specify Standard or 5CH prefix before order.



A8373:1 05/23

Experience a safer
and more open world

The warranty on SARGENT® products becomes void if the product is modified in any way, regardless of whether the modification causes or contributes to any alleged defect. If a SARGENT product is modified it may no longer meet industry certification and quality control standards applicable to the original product and is no longer a genuine SARGENT product.

Copyright © 2023, SARGENT Manufacturing Company. All rights reserved. Reproduction in whole or in part without the express written permission of SARGENT Manufacturing Company is prohibited.

12-53-MD- PE8606 PE8643 PE8646 PE8673
 12-59-MD- PE8610 PE8613 PE8615 PE8674
 12-MD- PE8640
 12-53-MD-5CH-
 12-MD-5CH-



Option	Assembly #	Description	Sellable
12-53-MD- 12-MD- 12-53-MD-5CH- 12-MD-5CH- (All Functions)	68-5068 68-5069	LHRB Chassis Assembly RHRB Chassis Assembly	Yes
12-59-MD-	PE-2332	LHRB Chassis Assembly	Yes
	PE-2333	RHRB Chassis Assembly	

Item #	Assembly #	Part #	Description	Qty	Sellable
1	N/A	PE-0146	Chassis Cover ¹	1	Yes
2		68-3905	Screw Pack (B) ¹	1	Yes
3	See chart above	68-0011	Main Slide	1	Yes
		68-1815	59- Main Slide		No
		68-1836	Main Slide Cup to 1/2" Cladding		Yes
4		68-1505	Chassis (LH)	1	Yes
		68-1506	Chassis (RH)		Yes
5		68-1503	Lift Lever	1	Yes
6		68-0012	Roller (Main Slide)	2	Yes
7		01-4512	Spirol Pin	1	Yes
8		68-0324	Lift Lever Pivot Pin	1	Yes
9		68-0323	Chassis Pin	2	Yes
10	68-0241	Lift Arm	1	Yes	
	PE-0302	59- Lift Arm		Yes	
11	PE-2659	N/A	12- Inner Chassis Assembly	1	Yes
	PE-2663		12- 53- Inner Chassis Assembly ⁴		Yes
	PE-2660		5CH-12- Inner Chassis Assembly		Yes
	PE-2664		5CH-12-53- Inner Chassis Assembly		Yes
12	P692T 5CH-P692T		Top Rod ^{2,3,6}	1	Yes
13			Coiled Pin	2	
14			Latch Bolt Assembly	1	
	5CH Latch Bolt Assembly		1		
15	68-5374		Top Case Assembly STD	1	Yes
	68-5375		Top Case Assembly 1/4" Cladded	1	Yes
	68-5376	Top Case Assembly 1/2" Cladded	1	Yes	
16	MDP692B 5CH-MDP692B	Bottom Rod ^{2,3,6}	1	Yes	
17		Bolt Sleeve			
18		Roll Pin	Yes		
19		Spring (Bottom Bolt)	1		
20		Bottom Bolt	1		
21		Bottom Bolt Sleeve Spring	2		
22		Bottom Bolt Sleeve (MD/WD)	1		
23	N/A	68-0888	Bottom Plate	Yes	Yes
		68-4389	Screw Pack(W) ¹	Yes	Yes
		650	Top Strike Pack	1	Yes
		606	Bottom Strike Pack		Yes

- ¹ Specify finish
- ² Specify AFF
- ³ Specify Opening Height
- ⁴ Also used with 59-
- ⁵ Cut the main slide finger as needed for panel thickness.
- ⁶ Specify Standard or 5CH prefix before order.

Continued on the next page.

A8373-A 05/23

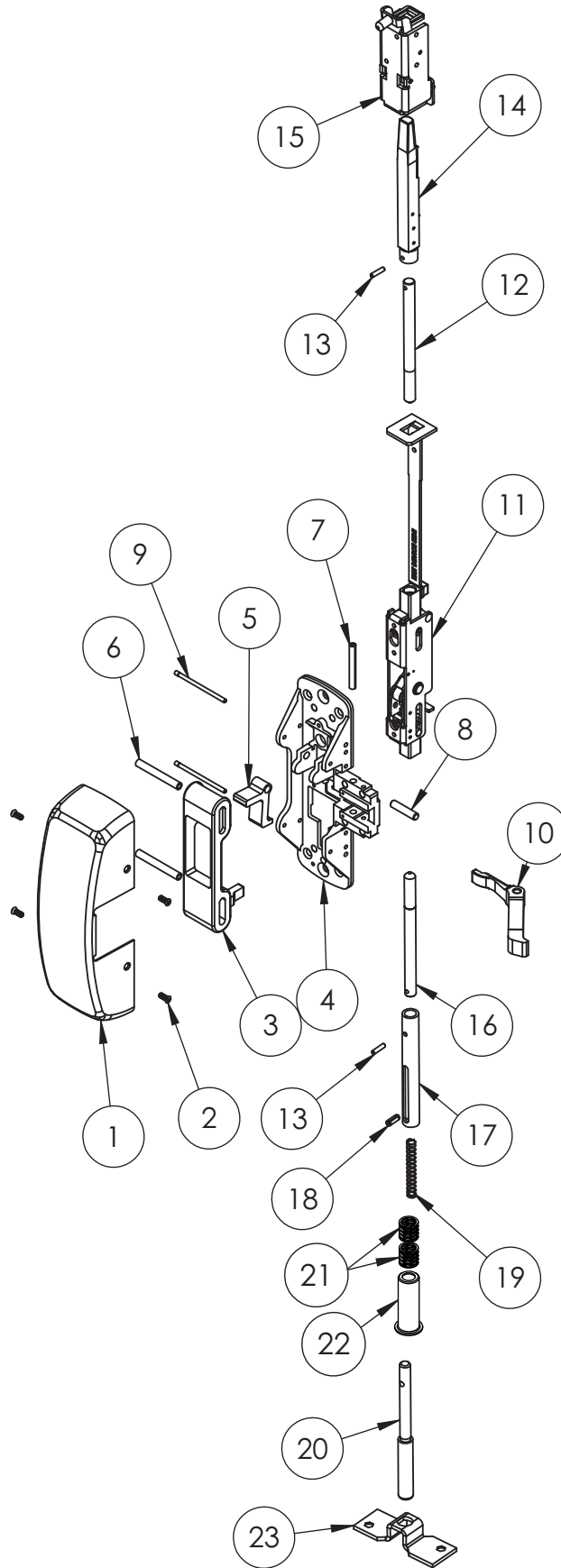
The warranty on SARGENT® products becomes void if the product is modified in any way, regardless of whether the modification causes or contributes to any alleged defect. If a SARGENT product is modified it may no longer meet industry certification and quality control standards applicable to the original product and is no longer a genuine SARGENT product.

Copyright © 2023, SARGENT Manufacturing Company. All rights reserved. Reproduction in whole or in part without the express written permission of SARGENT Manufacturing Company is prohibited.

12-53-MD-
 12-59-MD-
 12-MD-
 12-53-MD-5CH-
 12-MD-5CH-

PE8606 PE8643 PE8646 PE8673
 PE8610 PE8613 PE8615 PE8674
 PE8640

SARGENT
ASSA ABLOY



Experience a safer
 and more open world

The warranty on SARGENT® products becomes void if the product is modified in any way, regardless of whether the modification causes or contributes to any alleged defect. If a SARGENT product is modified it may no longer meet industry certification and quality control standards applicable to the original product and is no longer a genuine SARGENT product.

Copyright © 2023, SARGENT Manufacturing Company. All rights reserved. Reproduction in whole or in part without the express written permission of SARGENT Manufacturing Company is prohibited.

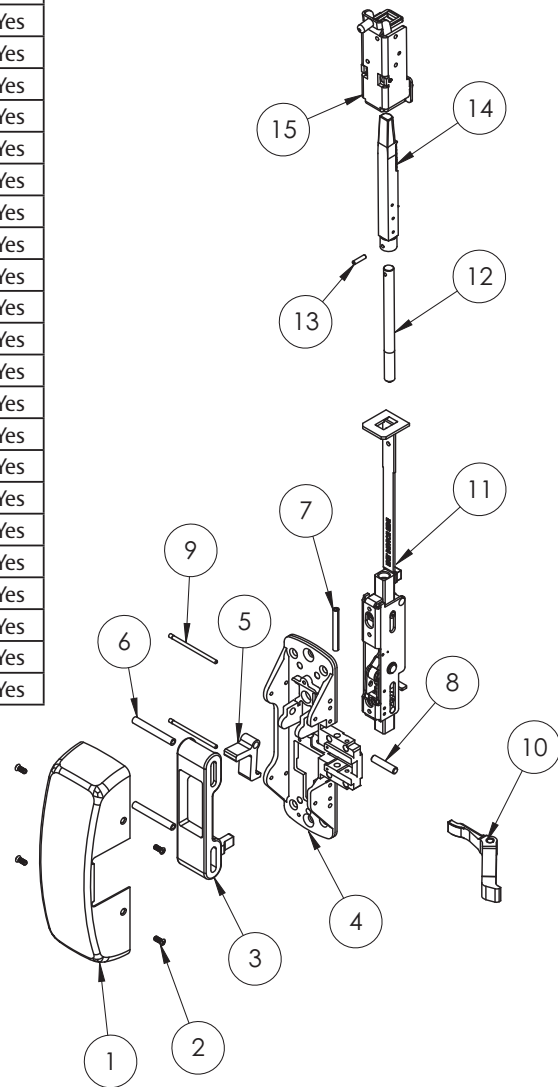
A8373:1 05/23

53-NB-MD- PE8606 PE8610 PE8613 PE8615
 59-NB-MD- PE8640 PE8643 PE8646 PE8673
 NB-MD- PE8674
 53-NB-MD-5CH-
 NB-MD-5CH-

SARGENT®
ASSA ABLOY

Option	Assembly #	Description	Sellable
53-NB-MD- NB-MD- 53-NB-MD-5CH- MD-NB-5CH- (All Functions)	68-5068 68-5069	LHRB Chassis Assembly RHRB Chassis Assembly	Yes
59-NB-MD- (All Functions)	PE-2332	LHRB Chassis Assembly	Yes
	PE-2333	RHRB Chassis Assembly	

Item	Assembly #	Part #	Description	Qty	Sellable
1	N/A	PE-0146	Chassis Cover ¹	1	Yes
2		68-3905	Screw Pack (B) ¹	1	Yes
3	See chart above	68-0011	Main Slide	1	Yes
		68-1815	59- Main Slide		No
		68-1836	Main Slide Cup to 1/2" Cladding ⁵		Yes
4		68-1505	Chassis (LH)	1	Yes
		68-1506	Chassis (RH)		Yes
5		68-1503	Lift Lever	1	Yes
6		68-0012	Roller (Main Slide)	2	Yes
7		01-4512	Spirol Pin	1	Yes
8		68-0324	Lift Lever Pivot Pin	1	Yes
9		68-0323	Chassis Pin	2	Yes
10	68-0241	Lift Arm	1	Yes	
	PE-0302	59- Lift Arm		Yes	
11	PE-2657	N/A	Inner Chassis Assembly	1	Yes
	PE-2661		53- Inner Chassis Assembly ⁴		Yes
	PE-2658		5CH- Inner Chassis Assembly		Yes
	PE-2662		5CH-53- Inner Chassis Assembly		Yes
12	P692T 5CH-P692T		Top Rod ^{2,3,6}	1	Yes
13			Coiled Pin	2	Yes
14			Latch Bolt Assembly	1	Yes
			5CH Latch Bolt Assembly	1	Yes
15	68-5374		Top Case Assembly STD	1	Yes
	68-5375		Top Case Assembly 1/4" Cladded		Yes
	68-5376		Top Case Assembly 1/2" Cladded		Yes
	N/A	68-4389	Screw Pack(W) ¹	1	Yes
		650	Top Strike Pack	1	Yes



- ¹Specify finish
- ²Specify AFF
- ³Specify Opening Height
- ⁴Also used with 59-
- ⁵Cut the main slide finger as needed for panel thickness.
- ⁶Specify Standard or 5CH prefix before order.

A8373-A 05/23

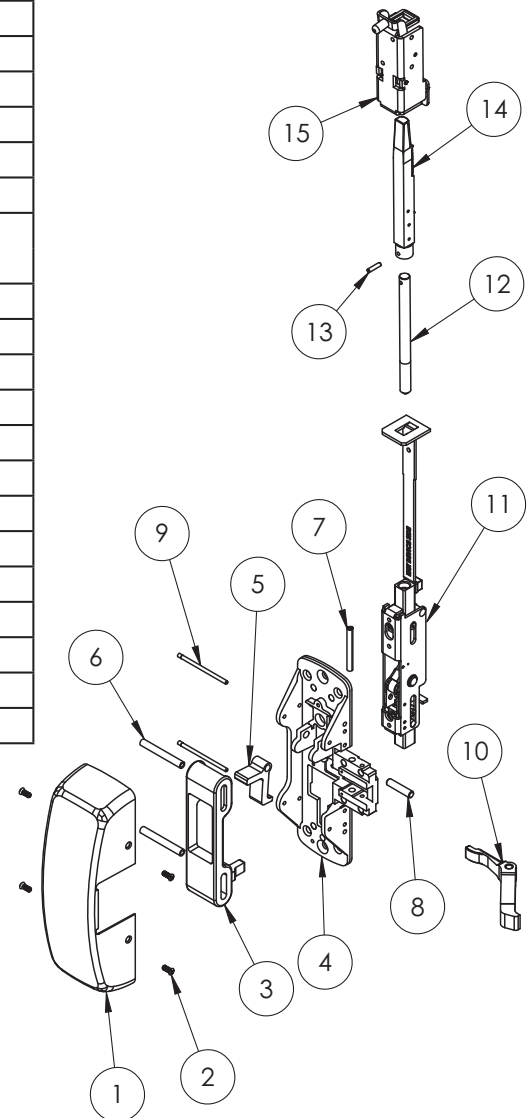
The warranty on SARGENT® products becomes void if the product is modified in any way, regardless of whether the modification causes or contributes to any alleged defect. If a SARGENT product is modified it may no longer meet industry certification and quality control standards applicable to the original product and is no longer a genuine SARGENT product.

12-53-NB-MD- PE8606 PE8610 PE8613 PE8615
 12-59-NB-MD- PE8640 PE8643 PE8646 PE8673
 12-NB-MD- PE8674
 12-53-NB-MD-5CH-
 12-NB-MD-5CH-

Option	Assembly #	Description	Sellable
12-53-NB-MD- 12-NB-MD- 12-53-NB-MD-5CH- 12-MD-NB-5CH- (All Functions)	68-5068 68-5069	LHRB Chassis Assembly RHRB Chassis Assembly	Yes
12-59-NB-MD- (All Functions)	PE-2332	LHRB Chassis Assembly	Yes
	PE-2333	RHRB Chassis Assembly	

Item	Assembly #	Part #	Description	Qty	Sellable	
1	N/A	PE-0146	Chassis Cover ¹	1	Yes	
2		68-3905	Screw Pack (B) ¹	1	Yes	
3	See chart above	68-0011	Main Slide	1	Yes	
		68-1815	59- Main Slide		No	
		68-1836	Main Slide Cup to 1/2" Cladding ⁵		Yes	
4	See chart above	68-1505	Chassis (LH)	1	Yes	
		68-1506	Chassis (RH)		Yes	
5	See chart above	68-1503	Lift Lever	1	Yes	
6		68-0012	Roller (Main Slide)	2	Yes	
7		01-4512	Spirol Pin	1	Yes	
8		68-0324	Lift Lever Pivot Pin	1	Yes	
9		68-0323	Chassis Pin	2	Yes	
		68-0241	Lift Arm			
10		See chart above	PE-0302	59- Lift Arm	1	Yes
			PE-2659	12- Inner Chassis Assembly		
			PE-2663	12- 53- Inner Chassis Assembly ⁴		
			PE-2660	5CH-12- Inner Chassis Assembly		
11	See chart above	PE-2664	5CH-12-53- Inner Chassis Assembly	1	Yes	
		N/A	5CH-12-53- Inner Chassis Assembly			
12	P692T 5CH-P692T	N/A	Top Rod ^{2,3,6}	1	Yes	
13		Coiled Pin	2	Yes		
14		Latch Bolt Assembly	1	Yes		
		5CH Latch Bolt Assembly	1	Yes		
15	68-5374	N/A	Top Case Assembly STD	1	Yes	
		68-5375	Top Case Assembly 1/4" Cladded		Yes	
		68-5376	Top Case Assembly 1/2" Cladded		Yes	
N/A	68-4389	68-4389	Screw Pack(W) ¹	1	Yes	
		650	Top Strike Pack	1	Yes	

¹Specify finish
²Specify AFF
³Specify Opening Height
⁴Also used with 59-
⁵Specify Standard or 5CH prefix before order.



Experience a safer
 and more open world

The warranty on SARGENT® products becomes void if the product is modified in any way, regardless of whether the modification causes or contributes to any alleged defect. If a SARGENT product is modified it may no longer meet industry certification and quality control standards applicable to the original product and is no longer a genuine SARGENT product.

Copyright © 2023, SARGENT Manufacturing Company. All rights reserved. Reproduction in whole or in part without the express written permission of SARGENT Manufacturing Company is prohibited.

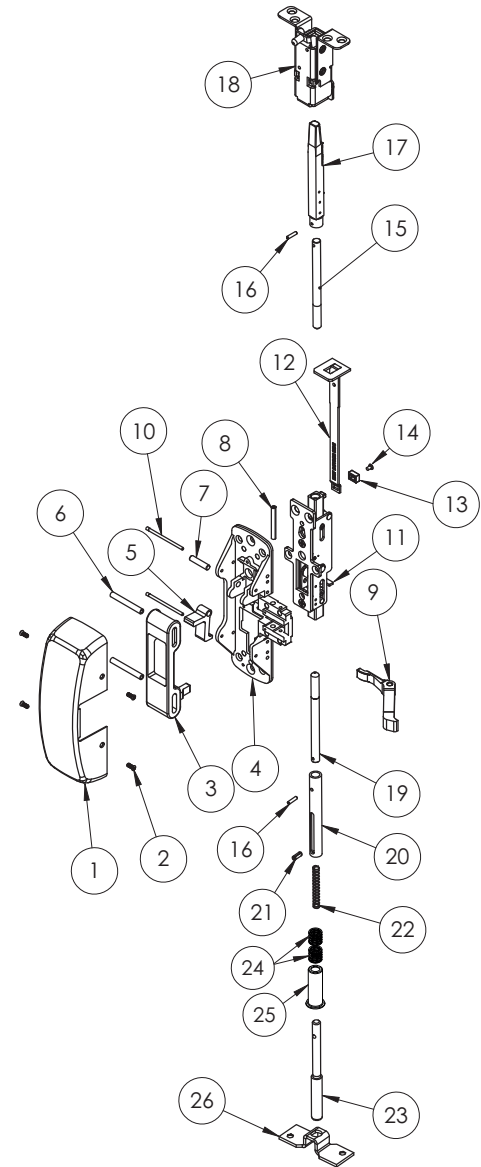
53-WD- PE8606 PE8610 PE8613 PE8615
 59-WD- PE8640 PE8643 PE8646 PE8673
 WD- PE8674
 53-WD-5CH-
 WD-5CH-

SARGENT®
ASSA ABLOY

Option	Assembly #	Description	Sellable
53-WD- WD- 53-WD-5CH- WD-5CH- (All Functions)	68-5068 68-5069	LHRB Chassis Assembly RHRB Chassis Assembly	Yes
59-WD- (All Functions)	PE-2332	LHRB Chassis Assembly	Yes
	PE-2333	RHRB Chassis Assembly	

Item	Assembly #	Part #	Description	Qty	Sellable
1	N/A	PE-0146	Chassis Cover ¹	1	Yes
2		68-3905	Screw Pack (B) ¹	1	Yes
3	See chart above	68-0011	Main Slide	1	Yes
		68-1815	59- Main Slide		No
4		68-1505	Chassis (LH)	1	Yes
		68-1506	Chassis (RH)		Yes
5		68-1503	Lift Lever	1	Yes
6		68-0012	Roller (Main Slide)	2	Yes
7		68-0324	Lift Lever Pivot Pin	1	Yes
8		01-4512	Spirol Pin	1	Yes
9		68-0241	Lift Arm	1	Yes
		PE-0302	59- Lift Arm		Yes
10		68-0323	Chassis Pin	2	Yes
11	PE-2028	N/A	Inner Chassis Assembly	1	Yes
	PE-2030		53- Inner Chassis Assembly ⁴	1	Yes
	PE-2029		5CH- Inner Chassis Assembly	1	Yes
	PE-2031		5CH-53- Inner Chassis Assembly	1	Yes
12	N/A	PE-2036	Aux Control Link Assembly WD	1	Yes
13		PE-0447	Aux Control Bracket Retainer	1	Yes
14		01-1154	Machine Screw	1	Yes
15	WDP691T	N/A	Top Rod ^{2,3,6}	1	Yes
16	5CH-WDP660T		Coiled Pin	2	
17	WDA691T4		Latch Bolt Assembly	1	
			5CH Latch Bolt Assembly	1	
18	68-3522	N/A	Top Case and Bracket Assembly STD	1	Yes
	68-3523		Top Case and Bracket Assembly 1/4" Cladded		Yes
	68-3524		Top Case and Bracket Assembly 1/2" Cladded		Yes
19	WDP692B 5CH-WDP692B		Bottom Rod ^{2,3,4}	1	Yes
20		Bolt Sleeve	1		
21		Roll Pin	1		
22		Spring (Bottom Bolt)	1		
23		Bottom Bolt	1		
24		Bottom Bolt Sleeve Spring	2		
25		Bottom Bolt Sleeve (MD/WD)	1		
26	N/A	68-0888	Bottom Plate	1	Yes
		68-4389	Screw Pack(W) ¹	1	Yes
		652	Strike Pack	1	Yes

- ¹ Specify finish
- ² Specify AFF
- ³ Specify Opening Height
- ⁴ Also used with 59-
- ⁵ Only when used with Aux Control
- ⁶ Specify Standard or 5CH prefix before order.



A8373-A 05/23

The warranty on SARGENT® products becomes void if the product is modified in any way, regardless of whether the modification causes or contributes to any alleged defect. If a SARGENT product is modified it may no longer meet industry certification and quality control standards applicable to the original product and is no longer a genuine SARGENT product.

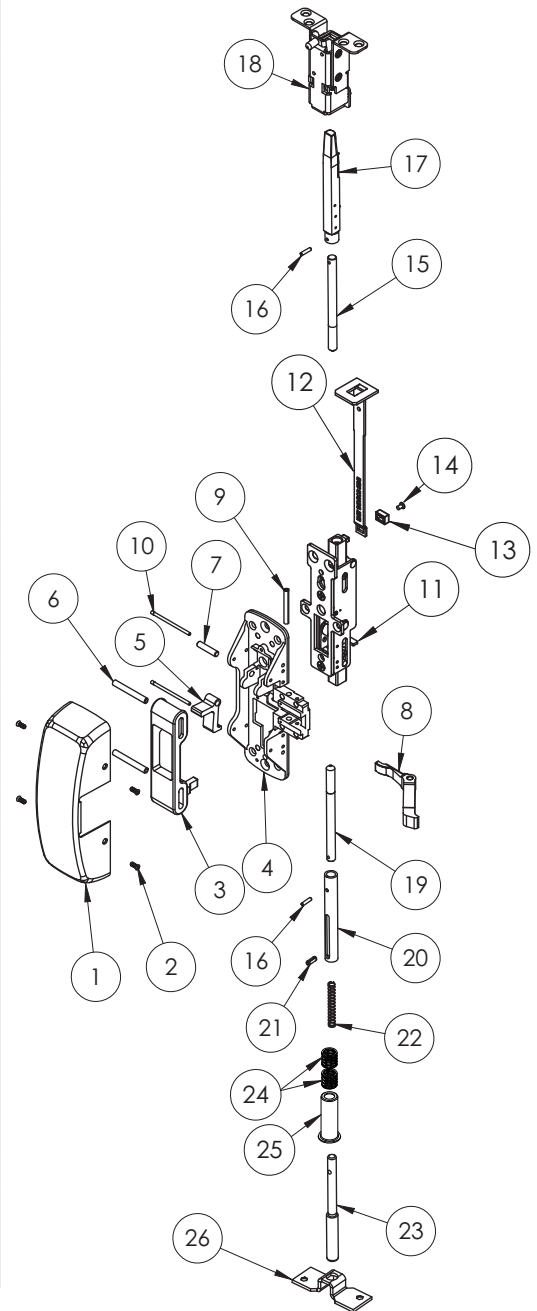
12-53-WD- PE8606 PE8610 PE8613 PE8615
 12-59-WD- PE8640 PE8643 PE8646 PE8673
 12-WD- PE8674
 12-53-WD-5CH-
 12-WD-5CH-



Option	Assembly #	Description	Sellable
12-53-WD- 12-WD- 12-53-WD-5CH- 12-WD-5CH- (All Functions)	68-5068 68-5069	LHRB Chassis Assembly RHRB Chassis Assembly	Yes
12-59-WD- (All Functions)	PE-2332	LHRB Chassis Assembly	Yes
	PE-2333	RHRB Chassis Assembly	

- ¹Specify finish
- ²Specify AFF
- ³Specify Opening Height
- ⁴Also used with 12- 59-
- ⁵Only when used with Aux Control
- ⁶Specify Standard or 5CH prefix before order.

Item	Assembly #	Part #	Description	Qty	Sellable
1	N/A	PE-0146	Chassis Cover ¹	1	Yes
2		68-3905	Screw Pack (B) ¹	1	Yes
3	See chart above	68-0011	Main Slide	1	Yes
		68-1815	59- Main Slide		No
4		68-1505	Chassis (LH)	1	Yes
		68-1506	Chassis (RH)		Yes
5		68-1503	Lift Lever	1	Yes
6		68-0012	Roller (Main Slide)	2	Yes
7		68-0324	Lift Lever Pivot Pin	1	Yes
8		68-0241	Lift Arm	1	Yes
		PE-0302	59- Lift Arm		Yes
9		01-4512	Spirol Pin	1	Yes
10	68-0323	Chassis Pin	2	Yes	
11	PE-2028	N/A	12-Inner Chassis Assembly	1	Yes
	PE-2030		12-53- Inner Chassis Assembly ⁴	1	Yes
	PE-2029		5CH- Inner Chassis Assembly	1	Yes
	PE-2031		5CH-53- Inner Chassis Assembly	1	Yes
12	N/A	PE-2036	Aux Control Link Assembly WD	1	Yes
13		PE-0447	Aux Control Bracket Retainer	1	Yes
14		01-1154	Machine Screw	1	Yes
15	WDP691T	N/A	Top Rod ^{2,3,6}	1	Yes
16	5CH-WDP660T		Coiled Pin	2	Yes
17	WDA691T4		Latch Bolt Assembly	1	Yes
			5CH Latch Bolt Assembly	1	Yes
18	68-3522		Top Case and Bracket Assembly STD	1	Yes
	68-3523		Top Case and Bracket Assembly 1/4" Cladded		Yes
	68-3524		Top Case and Bracket Assembly 1/2" Cladded		Yes
19	WDP692B		Bottom Rod ^{2,3,4}	1	Yes
20	5CH-WDP692B		Bolt Sleeve	1	
21			Roll Pin	1	
22		Spring (Bottom Bolt)	1		
23		Bottom Bolt	1		
24		Bottom Bolt Sleeve Spring	2		
25		Bottom Bolt Sleeve (MD/WD)	1		
26	N/A	68-0888	Bottom Plate	1	Yes
		68-4389	Screw Pack(W) ¹	1	Yes
		650	Top Strike Pack	1	Yes
		606	Bottom Strike Pack	1	Yes



Experience a safer
and more open world

The warranty on SARGENT® products becomes void if the product is modified in any way, regardless of whether the modification causes or contributes to any alleged defect. If a SARGENT product is modified it may no longer meet industry certification and quality control standards applicable to the original product and is no longer a genuine SARGENT product.

Copyright © 2023, SARGENT Manufacturing Company. All rights reserved. Reproduction in whole or in part without the express written permission of SARGENT Manufacturing Company is prohibited.

A8373:1 05/23

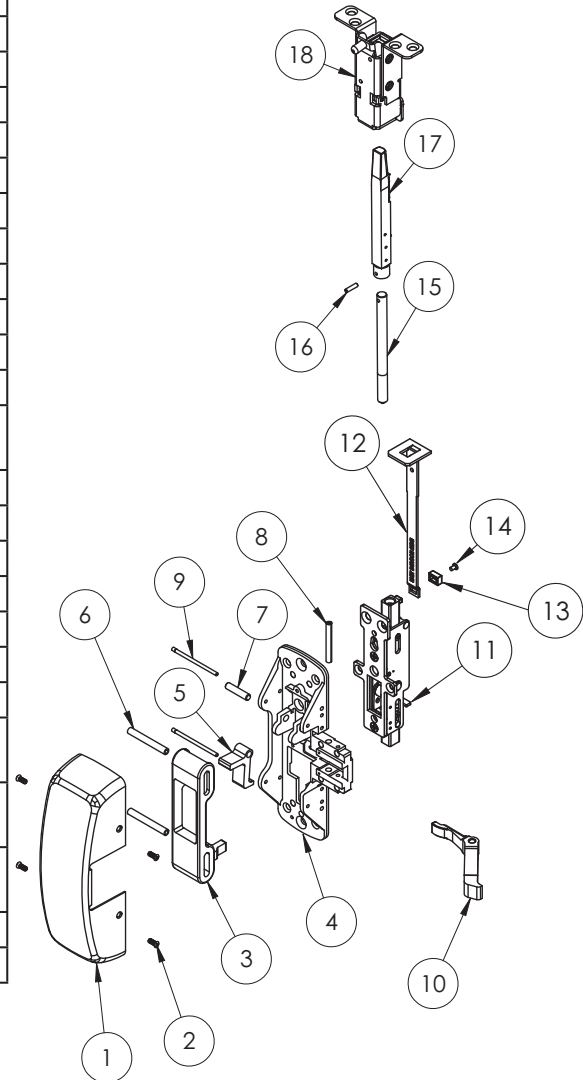
53-NB-WD- PE8606 PE8610 PE8613 PE8615
 59-NB-WD- PE8640 PE8643 PE8646 PE8673
 NB-WD- PE8674
 53-NB-WD-5CH-
 NB-WD-5CH-

SARGENT®
ASSA ABLOY

Option	Assembly #	Description	Sellable
53-NB-WD- NB-WD- 53-NB-WD-5CH- NB-WD-5CH- (All Functions)	68-5068 68-5069	LHRB Chassis Assembly RHRB Chassis Assembly	Yes
59-NB-WD- (All Functions)	PE-2332	LHRB Chassis Assembly	Yes
	PE-2333	RHRB Chassis Assembly	

- ¹ Specify finish
- ² Specify AFF
- ³ Specify Opening Height
- ⁴ Also used with 12- 59-
- ⁵ Only when used with Aux Control
- ⁶ Specify Standard or 5CH prefix before order.

Item	Assembly #	Part #	Description	Qty	Sellable
1	N/A	PE-0146	Chassis Cover ¹	1	Yes
2		68-3905	Screw Pack (B) ¹	1	Yes
3	See chart above	68-0011	Main Slide	1	Yes
		68-1815	59- Main Slide		No
4		68-1505	Chassis (LH)	1	Yes
		68-1506	Chassis (RH)		Yes
5		68-1503	Lift Lever	1	Yes
6		68-0012	Roller (Main Slide)	2	Yes
7		68-0324	Lift Lever Pivot Pin	1	Yes
8		01-4512	Spirol Pin	1	Yes
10		68-0241	Lift Arm	1	Yes
		PE-0302	59- Lift Arm	Yes	
	68-0012	Roller (Main Slide)	1	Yes	
11	PE-2028	N/A	Inner Chassis Assembly	1	Yes
	PE-2030		53- Inner Chassis Assembly		Yes
	PE-2029		5CH- Inner Chassis Assembly		Yes
	PE-2031		5CH-53- Inner Chassis Assembly		Yes
12	N/A	PE-2036	Aux Control Link Assembly WD	1	Yes
13		PE-0447	Aux Control Bracket Retainer	1	Yes
14		01-1154	Machine Screw	1	Yes
15	WDP691T 5CH-WDP660T WDA691T4	N/A	Top Rod	1	Yes
16			Coiled Pin	2	Yes
17			Latch Bolt Assembly	1	Yes
			5CH Latch Bolt Assembly	1	Yes
18	68-3522	N/A	Top Case and Bracket Assembly STD	1	Yes
	68-3523		Top Case and Bracket Assembly 1/4" Cladded		Yes
	68-3524		Top Case and Bracket Assembly 1/2" Cladded		Yes
	N/A	68-4389	Screw Pack(W) ¹	1	Yes
		650	Top Strike Pack	1	Yes



A8373-A 05/23

The warranty on SARGENT® products becomes void if the product is modified in any way, regardless of whether the modification causes or contributes to any alleged defect. If a SARGENT product is modified it may no longer meet industry certification and quality control standards applicable to the original product and is no longer a genuine SARGENT product.

24

Copyright © 2023, SARGENT Manufacturing Company. All rights reserved. Reproduction in whole or in part without the express written permission of SARGENT Manufacturing Company is prohibited.

Experience a safer
and more open world

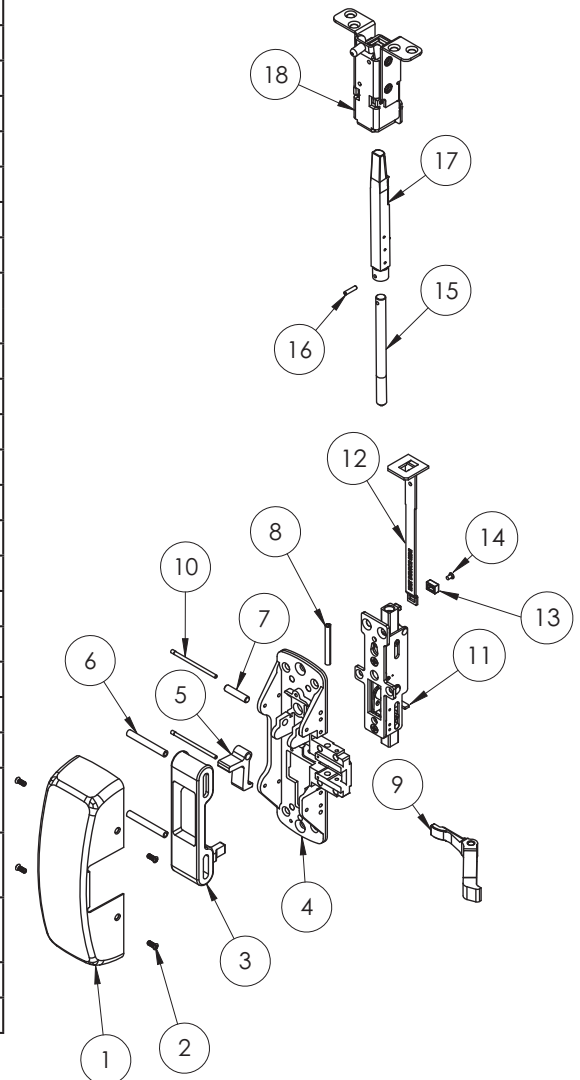
12-53-NB-WD- PE8606 PE8610 PE8613 PE8615
 12-59-NB-WD- PE8640 PE8643 PE8646 PE8673
 12-NB-WD- PE8674
 12-53-NB-WD-5CH-
 12-NB-WD-5CH-



Option	Assembly #	Description	Sellable
53-NB-WD- NB-WD- 53-NB-WD-5CH- NB-WD-5CH- (All Functions)	68-5068 68-5069	LHRB Chassis Assembly RHRB Chassis Assembly	Yes
59-NB-WD- (All Functions)	PE-2332	LHRB Chassis Assembly	Yes
	PE-2333	RHRB Chassis Assembly	

- ¹ Specify finish
- ² Specify AFF
- ³ Specify Opening Height
- ⁴ Also used with 59-
- ⁵ Only when used with Aux Control
- ⁶ Specify Standard or 5CH prefix before order.

Item	Assembly #	Part #	Description	Qty	Sellable
1	N/A	PE-0146	Chassis Cover ¹	1	Yes
2		68-3905	Screw Pack (B) ¹	1	Yes
3	See chart above	68-0011	Main Slide	1	Yes
		68-1815	59- Main Slide		No
4		68-1505	Chassis (LH)	1	Yes
		68-1506	Chassis (RH)		Yes
5		68-1503	Lift Lever	1	Yes
6		68-0112	Roller (Main Slide)	2	Yes
7		68-0324	Lift Lever Pivot Pin	1	Yes
8		01-4512	Spirol Pin	1	Yes
9		68-0241	Lift Arm	1	Yes
		PE-0302	59- Lift Arm		
10	68-0323	Chassis Pin	2	Yes	
11	PE-2028	N/A	12-Inner Chassis Assembly	1	Yes
	PE-2030		12-53- Inner Chassis Assembly		Yes
	PE-2029		5CH- Inner Chassis Assembly		Yes
	PE-2031		5CH-53- Inner Chassis Assembly		Yes
12	N/A	PE-2036	Aux Control Link Assembly WD	1	Yes
13		PE-0447	Aux Control Bracket Retainer	1	Yes
14		01-1154	Machine Screw	1	Yes
15	WDP691T	N/A	Top Rod	1	Yes
16	5CH-WDP660T		Coiled Pin	2	Yes
17	WDA691T4		Latch Bolt Assembly	1	Yes
			5CH Latch Bolt Assembly	1	Yes
18	68-3522		Top Case and Bracket Assembly STD	1	Yes
	68-3523		Top Case and Bracket Assembly 1/4" Cladded		Yes
	68-3524		Top Case and Bracket Assembly 1/2" Cladded		Yes
	N/A	68-4389	Screw Pack(W) ¹	1	Yes
		650	Top Strike Pack	1	Yes



Experience a safer
and more open world

The warranty on SARGENT® products becomes void if the product is modified in any way, regardless of whether the modification causes or contributes to any alleged defect. If a SARGENT product is modified it may no longer meet industry certification and quality control standards applicable to the original product and is no longer a genuine SARGENT product.

Copyright © 2023, SARGENT Manufacturing Company. All rights reserved. Reproduction in whole or in part without the express written permission of SARGENT Manufacturing Company is prohibited.

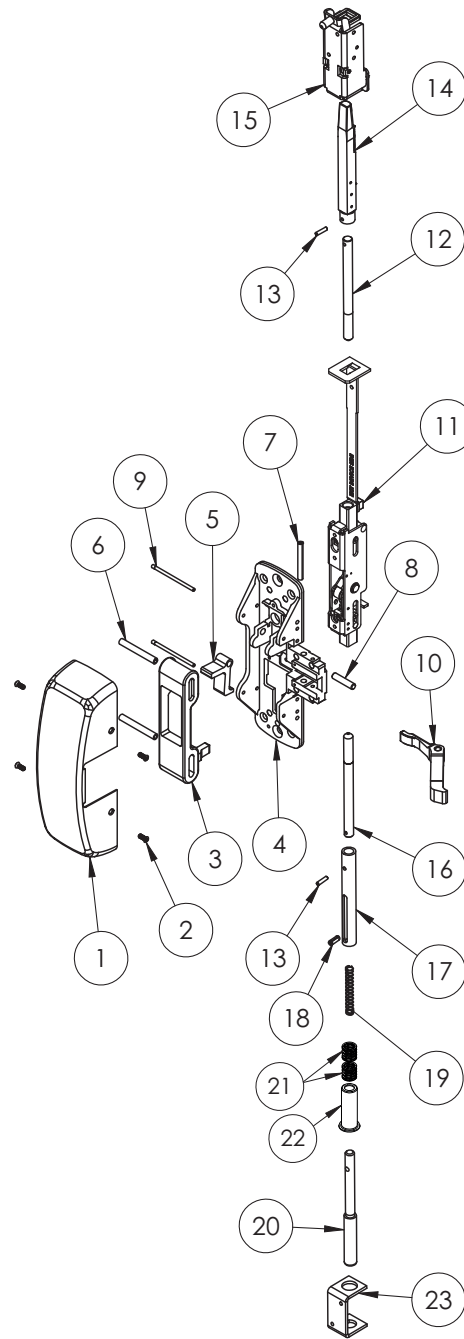
A8373:1 05/23

53-AD- PE8606 PE8610 PE8613 PE8615
 59-AD PE8640 PE8643 PE8646 PE8673
 AD- PE8674
 53-AD-5CH-
 AD-5CH-

SARGENT®
ASSA ABLOY

Option	Assembly #	Description	Sellable
53-AD- AD- 53-AD-5CH- AD-5CH- (All Functions)	68-5068	LHRB Chassis Assembly	Yes
	68-5069	RHRB Chassis Assembly	
59-AD- (All Functions)	PE-2332	LHRB Chassis Assembly	Yes
	PE-2333	RHRB Chassis Assembly	

Item	Assembly #	Part #	Description	Qty	Sellable	
1	N/A	PE-0146	Chassis Cover ¹	1	Yes	
2		68-3905	Screw Pack (B) ¹	1	Yes	
3	See chart above	68-0011	Main Slide	1	Yes	
		68-1815	59- Main Slide		No	
		68-1836	Main Slide Cup to 1/2" Cladding ⁵		Yes	
4	See chart above	68-1505	Chassis (LH)	1	Yes	
		68-1506	Chassis (RH)		Yes	
5	See chart above	68-1503	Lift Lever	1	Yes	
6		68-0012	Roller (Main Slide)	2	Yes	
7		01-4512	Spirol Pin	1	Yes	
8		68-0324	Lift Lever Pivot Pin	1	Yes	
9		68-0323	Chassis Pin	2	Yes	
		68-0241	Lift Arm			
10		PE-0302	59- Lift Arm	1	Yes	
		PE-2657	N/A	Inner Chassis Assembly	1	Yes
				53- Inner Chassis Assembly ⁴	Yes	
				5CH- Inner Chassis Assembly	Yes	
5CH-53- Inner Chassis Assembly	Yes					
12	P692T 5CH-P692T	Top Rod ^{2,3,6}	1	Yes		
13		Coiled Pin	2	Yes		
14		Latch Bolt Assembly	1	Yes		
		5CH Latch Bolt Assembly	1	Yes		
15	68-5374 68-5375 68-5376	Top Case Assembly STD	1	Yes		
		Top Case Assembly 1/4" Cladded		Yes		
		Top Case Assembly 1/2" Cladded		Yes		
16	ADP692B 5CH-ADP692B	Bottom Rod ^{1,2,3}	1	Yes		
17		Bolt Sleeve	1			
18		Roll Pin	1			
19		Spring (Bottom Bolt)	1			
20		Bottom Bolt	1			
21		Bottom Bolt Sleeve Spring	2			
22		Bottom Bolt Sleeve (AD)	1			
23		N/A	68-0037	Bottom Case	1	Yes
	68-4389		Screw Pack (W) ¹	1	Yes	
	640		Aluminum Door Strike Pack	1	Yes	



- ¹Specify finish
- ²Specify AFF
- ³Specify Opening Height
- ⁴Also used with 59-
- ⁵Cut the main slide finger as needed for panel thickness
- ⁶Specify Standard or 5CH prefix before order.

A8373-A 05/23

The warranty on SARGENT® products becomes void if the product is modified in any way, regardless of whether the modification causes or contributes to any alleged defect. If a SARGENT product is modified it may no longer meet industry certification and quality control standards applicable to the original product and is no longer a genuine SARGENT product.

Copyright © 2023, SARGENT Manufacturing Company. All rights reserved. Reproduction in whole or in part without the express written permission of SARGENT Manufacturing Company is prohibited.

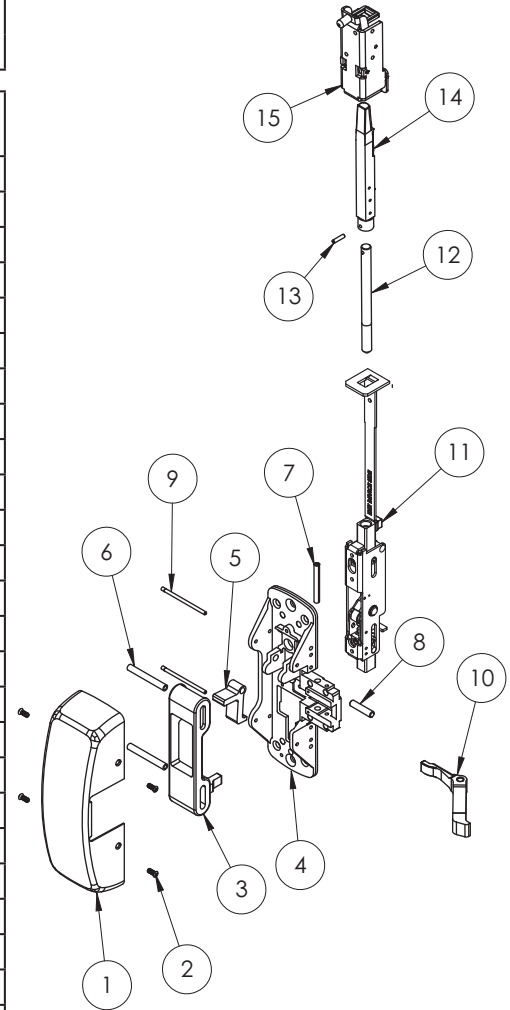
53-NB-AD-
59-NB-AD-
NB-AD-
53-NB-AD-5CH-
NB-AD-5CH-

PE8606 PE8610 PE8613 PE8615
PE8640 PE8643 PE8646 PE8673
PE8674

SARGENT®
ASSA ABLOY

Option	Assembly #	Description	Sellable
53-NB-AD- NB-AD- 53-NB-AD-5CH- NB-AD-5CH- (All Functions)	68-5068 68-5069	LHRB Chassis Assembly RHRB Chassis Assembly	Yes
59-NB-AD- (All Functions)	PE-2332	LHRB Chassis Assembly	Yes
	PE-2333	RHRB Chassis Assembly	

Item	Assembly #	Part #	Description	Qty	Sellable
1	N/A	PE-0146	Chassis Cover ¹	1	Yes
2		68-3905	Screw Pack (B) ¹	1	Yes
3		68-0011	Main Slide	1	Yes
		68-1815	59- Main Slide		No
		68-1836	Main Slide Cup to 1/2" Cladding ⁵		Yes
4	See chart above	68-1505	Chassis (LH)	1	Yes
		68-1506	Chassis (RH)		Yes
5		68-1503	Lift Lever	1	Yes
6		68-0012	Roller (Main Slide)	2	Yes
7		01-4512	Spirol Pin	1	Yes
8		68-0241	Lift Arm	1	Yes
9		68-0323	Chassis Pin	2	Yes
		68-0241	Lift Arm		Yes
11	PE-2657	N/A	Inner Chassis Assembly	1	Yes
	PE-2661		53- Inner Chassis Assembly ⁴		Yes
	PE-2658		5CH- Inner Chassis Assembly		Yes
	PE-2662		5CH-53- Inner Chassis Assembly		Yes
12	P692T 5CH-P692T	N/A	Top Rod ^{2,3,6}	1	Yes
13			Coiled Pin	2	Yes
14			Latch Bolt Assembly	1	Yes
	5CH Latch Bolt Assembly	1	Yes		
15	68-5374	N/A	Top Case Assembly STD	1	Yes
	68-5375		Top Case Assembly 1/4" Cladded		Yes
	68-5376		Top Case Assembly 1/2" Cladded		Yes
16	N/A	68-4389	Screw Pack (W) ¹	1	Yes
		639	Aluminum Door Strike Pack	1	Yes



- ¹Specify finish
- ²Specify AFF
- ³Specify Opening Height
- ⁴Also used with 59-
- ⁵Cut the main slide finger as needed for panel thickness
- ⁶Specify Standard or 5CH prefix before order.

Experience a safer
and more open world

The warranty on SARGENT® products becomes void if the product is modified in any way, regardless of whether the modification causes or contributes to any alleged defect. If a SARGENT product is modified it may no longer meet industry certification and quality control standards applicable to the original product and is no longer a genuine SARGENT product.

Copyright © 2023, SARGENT Manufacturing Company. All rights reserved. Reproduction in whole or in part without the express written permission of SARGENT Manufacturing Company is prohibited.

A8373:1 05/23

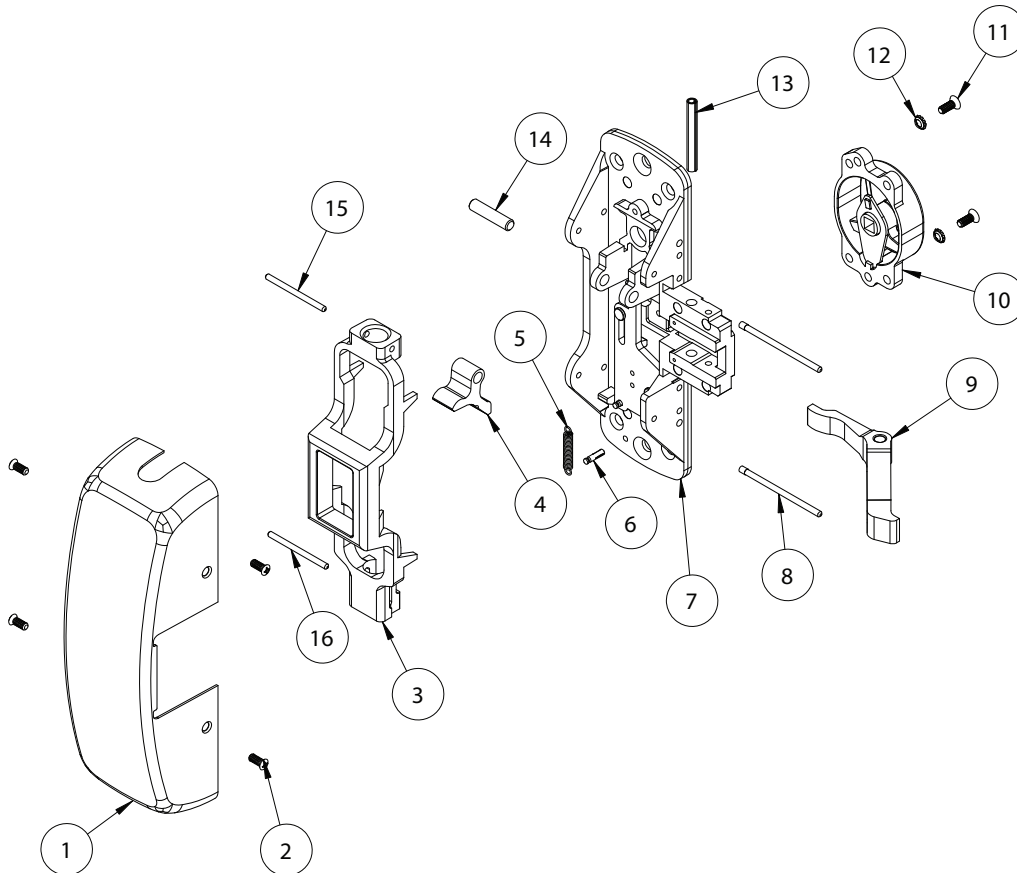
STD PE8706 PE8713 PE8715 PE8743
 12- PE8746 PE8773 PE8774
 HC-
 12-HC-

SARGENT®
ASSA ABLOY

Option	Assembly #	Description	Sellable
06,13, 15, 43, 46, 73, 74	68-2201 (LHRB)	Chassis Assembly	Yes
	68-2202 (RHRB)		

Item	Assembly #	Part #	Description	Qty	Sellable
1	N/A	PE-0144	Chassis Cover ¹	1	Yes
2		97-2563	Auxiliary Screw Pack ¹	1	Yes
3	See chart above	68-0327	Main Slide	1	Yes
4		68-1090	Lift Lever	1	Yes
5		97-0050	Knob Return Spring	1	Yes
6		01-0749	Groove Pin	1	No
7		68-2413	Chassis and Slide Assembly, LHRB	1	No
		68-2414	Chassis and Slide Assembly, RHRB		No
8		68-0323	Chassis Pin	2	Yes
9		68-0241	Lift Arm	1	Yes
10		68-7803	Knob Hub Subassembly	1	Yes
11		01-3384	8-32x7/16 PH FH MS	2	Yes
12		01-0930	Countersunk Lock Washer	2	Yes
13		01-4512	Spirol Pin	1	Yes
14		68-0324	Lift Lever Pivot Pin	1	Yes
15		N/A	97-0049	Top Rod Adjustment Pin	1
16	97-0048		Bottom Rod Adjustment Pin	1	Yes
17	68-5991		Mounting Screw Pack	1	Yes

¹Specify finish



The warranty on SARGENT® products becomes void if the product is modified in any way, regardless of whether the modification causes or contributes to any alleged defect. If a SARGENT product is modified it may no longer meet industry certification and quality control standards applicable to the original product and is no longer a genuine SARGENT product.

Copyright © 2023, SARGENT Manufacturing Company. All rights reserved. Reproduction in whole or in part without the express written permission of SARGENT Manufacturing Company is prohibited.

A8373-A 05/23

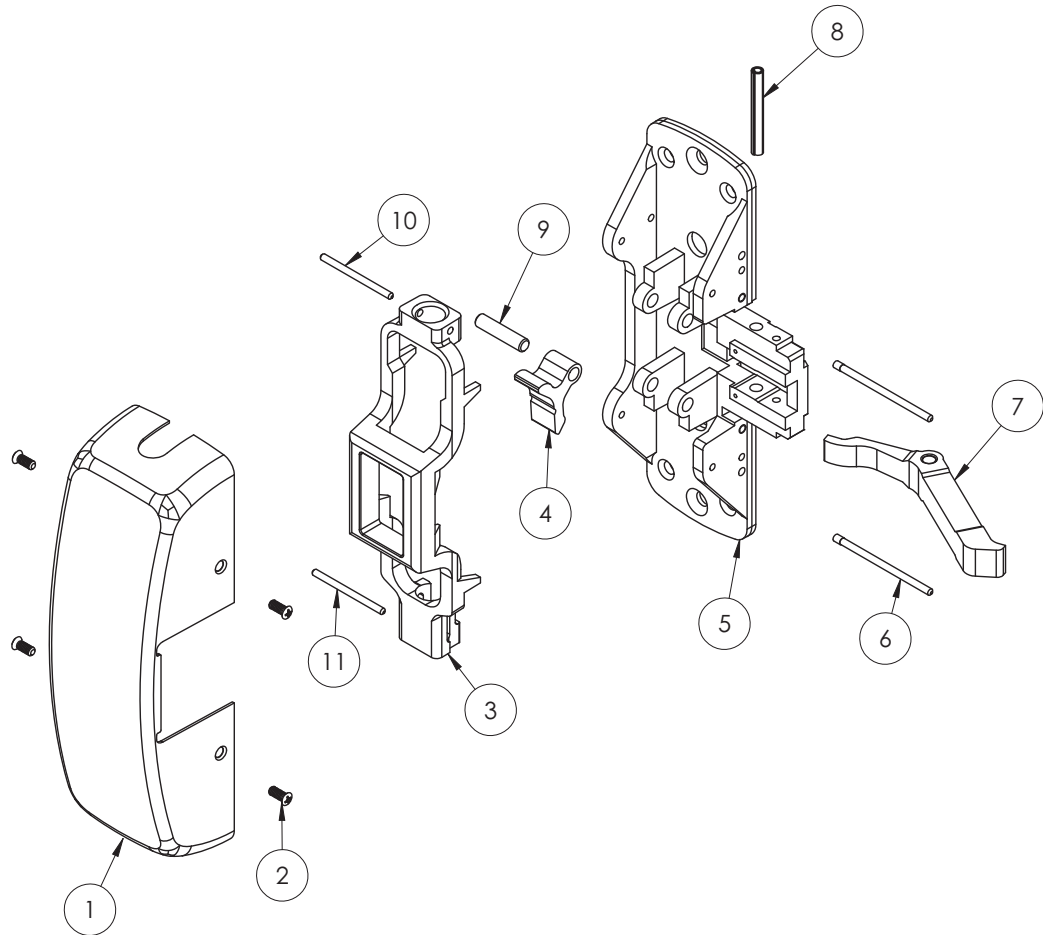
STD PE8710 PE8740
 12-
 HC-
 12-HC-

SARGENT
ASSA ABLOY

Option	Assembly #	Description	Sellable
10, 40	68-2163 (LHRB)	Chassis Assembly	Yes
	68-2164 (RHRB)		Yes

Item	Assembly #	Part #	Description	Qty	Sellable	
1	N/A	PE-0144	Chassis Cover ¹	1	Yes	
2		68-2113	Screw Pack ¹	1	Yes	
3	68-2163(LHRB) 68-2164(RHRB)	68-0327	Main Slide	1	Yes	
4		68-1090	Lift Lever	1	Yes	
5		68-0326	Chassis	1	Yes	
6		68-0323	Chassis Pin	2	Yes	
7		68-0241	Lift Arm	1	Yes	
		PE-0302	59- PE Lift Arm		Yes	
8			01-4512	Spirol Pin	1	Yes
9			68-0324	Lift Lever Pivot Pin	1	Yes
10	N/A	97-0049	Top Rod Adjustment Pin	1	Yes	
11		97-0048	Bottom Rod Adjustment Pin	1	Yes	
12		68-5991	Mounting Screw Pack	1	Yes	

¹Specify Finish



Experience a safer
 and more open world

The warranty on SARGENT® products becomes void if the product is modified in any way, regardless of whether the modification causes or contributes to any alleged defect. If a SARGENT product is modified it may no longer meet industry certification and quality control standards applicable to the original product and is no longer a genuine SARGENT product.

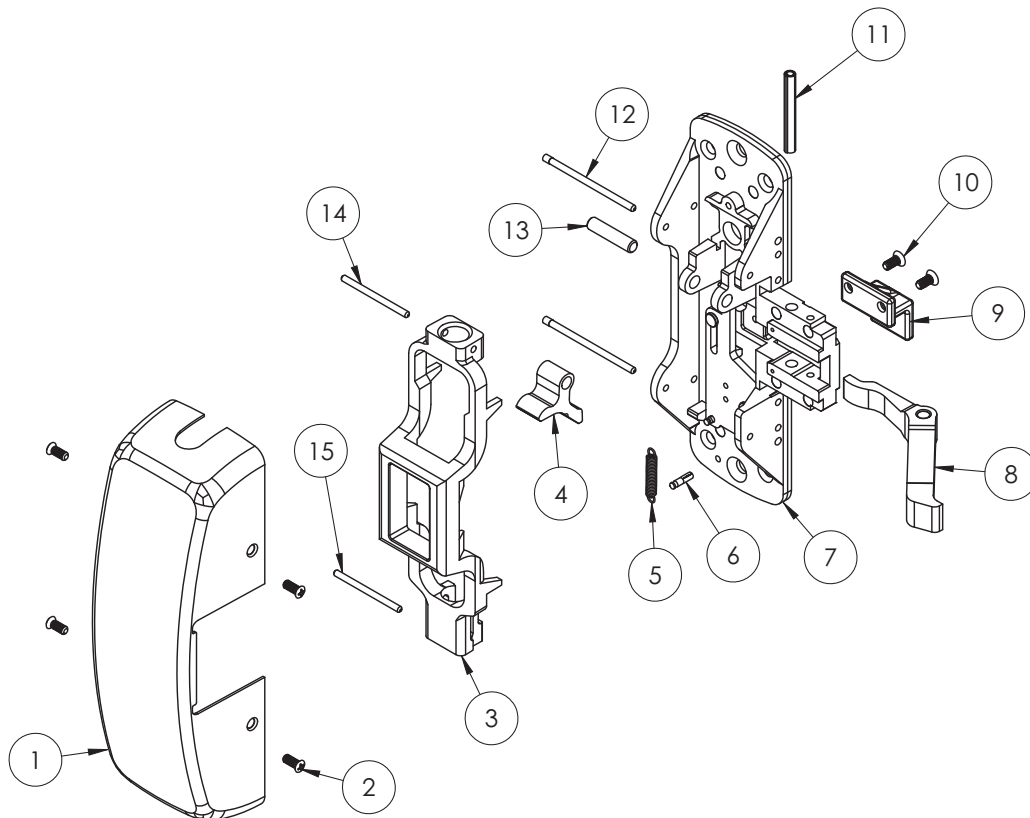
Copyright © 2023, SARGENT Manufacturing Company. All rights reserved. Reproduction in whole or in part without the express written permission of SARGENT Manufacturing Company is prohibited.

A8373:1 05/23

Option	Assembly #	Description	Sellable
28	68-2210 (LHRB)	Chassis Assembly	Yes
	68-2211 (RHRB)		Yes

Item	Assembly #	Part #	Description	Qty	Sellable
1	N/A	PE-0144	Chassis Cover ¹	1	Yes
2		68-2113	Screw Pack ¹	1	Yes
3	See chart above	68-0327	Main Slide	1	Yes
4		68-1090	Lift Lever	1	Yes
5		97-0050	Knob Return Spring	1	Yes
6		01-0749	Groove Pin	1	No
7		68-2415	Chassis and Slide Assembly, LHRB	1	No
		68-2416	Chassis and Slide Assembly, RHRB		No
8		68-0241	Lift Arm	1	Yes
9		97-0089	Thumb Piece Lever	1	Yes
10		01-1146	8-32x3/8 PH FH U'CUT Screw	2	Yes
11		01-4512	Spirol Pin	1	Yes
12		68-0323	Chassis Pin	2	Yes
13		68-0324	Lift Lever Pivot Pin	1	Yes
14		N/A	97-0049	Top Rod Adjustment Pin	1
15	97-0048		Bottom Rod Adjustment Pin	1	Yes
16	68-5991		Mounting Screw Pack	1	Yes

¹Specify Finish



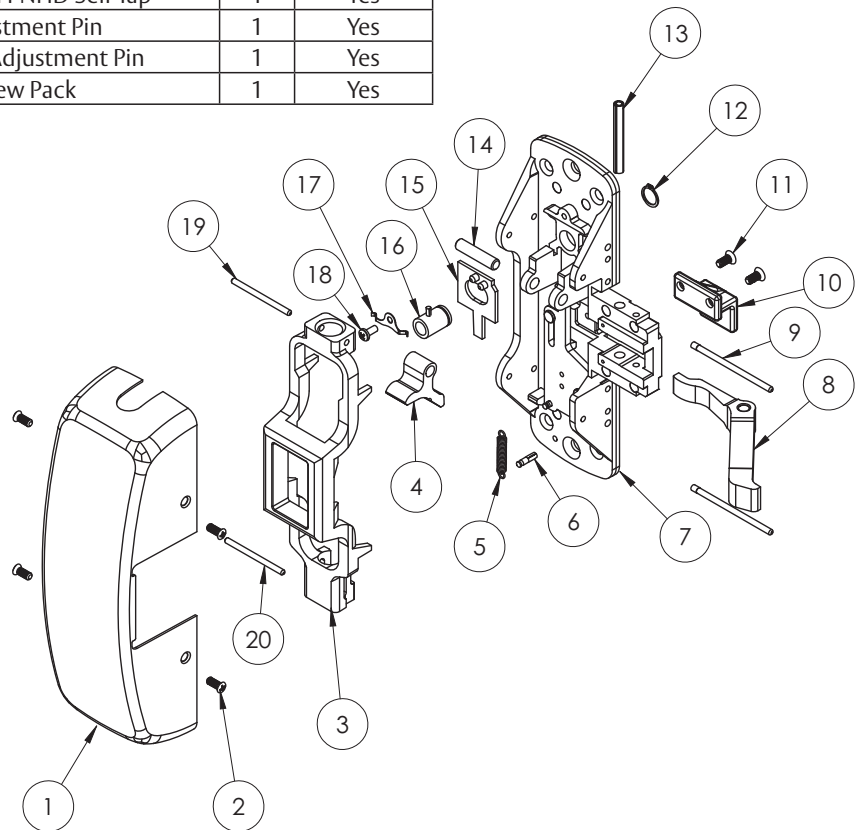
A8373-A 05/23

The warranty on SARGENT® products becomes void if the product is modified in any way, regardless of whether the modification causes or contributes to any alleged defect. If a SARGENT product is modified it may no longer meet industry certification and quality control standards applicable to the original product and is no longer a genuine SARGENT product.

Option	Assembly #	Description	Sellable
62, 63	68-2204 (LHRB)	Chassis Assembly	Yes
	68-2205 (RHRB)		Yes

Item	Assembly #	Part #	Description	Qty	Sellable	
1	N/A	PE-0144	Chassis Cover ¹	1	Yes	
2		68-2113	Screw Pack ¹	1	Yes	
3	See chart above	68-0327	Main Slide	1	Yes	
4		68-1090	Lift Lever	1	Yes	
5		97-0050	Knob Return Spring	1	Yes	
6		01-0749	Groove Pin	1	No	
7		68-2415	Chassis and Slide Assembly, LHRB	1	No	
		68-2416	Chassis and Slide Assembly, RHRB		No	
8		68-0241	Lift Arm	1	Yes	
9		68-0323	Chassis Pin	2	Yes	
10		97-0089	Thumb Piece Lever	1	Yes	
11		01-1146	8-32x3/8 PH FH U'CUT Screw	2	Yes	
12		01-0005	Retaining Ring	1	Yes	
13		01-4512	Spirol Pin	1	Yes	
14		68-0324	Lift Lever Pivot Pin	1	Yes	
15		68-2198	Locking Slide Assembly, LHRB	1	Yes	
		68-2199	Locking Slide Assembly, RHRB		Yes	
16		97-2048	Cylinder Hub and Pin Assembly	1	Yes	
17		68-0368	Locking Slide Spring, LHRB	1	Yes	
		97-0006	Locking Slide Spring, RHRB		Yes	
18		01-1190	6-32x5/16 PH PNHD Self Tap	1	Yes	
19		N/A	97-0049	Top Rod Adjustment Pin	1	Yes
20			97-0048	Bottom Rod Adjustment Pin	1	Yes
21	68-5991		Mounting Screw Pack	1	Yes	

¹Specify Finish



A8373:1 05/23

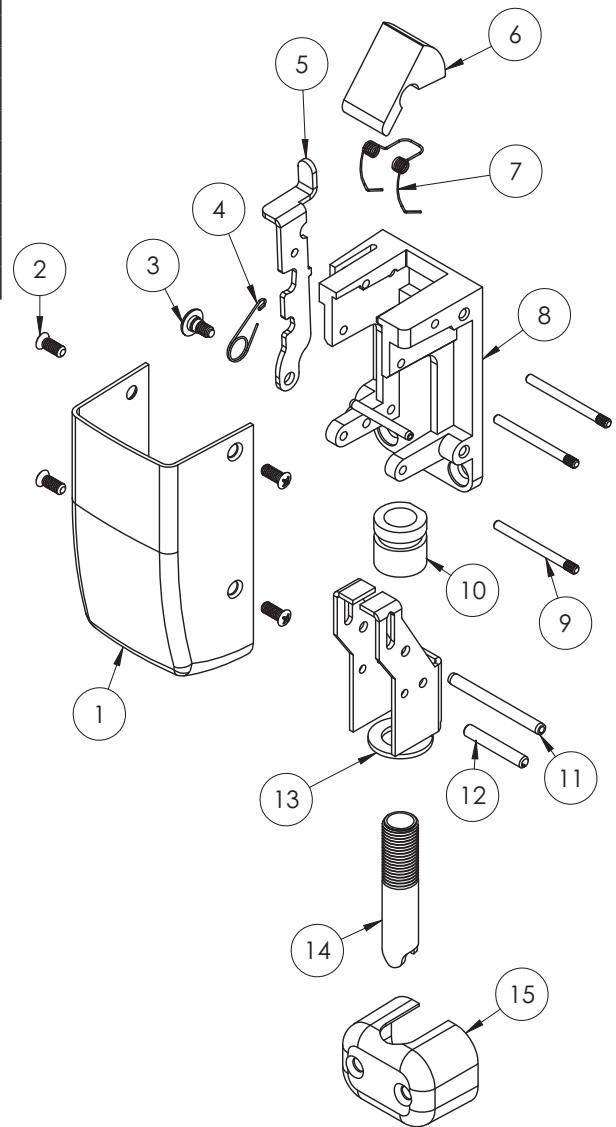
STD PE8706 PE8710 PE8713 PE8715
 PE8728 PE8740 PE8743 PE8746
 PE8762 PE8763 PE8773 PE8774

SARGENT®
ASSA ABLOY

Option	Assembly #	Description	Sellable
(All Functions)	68-4557	Top Case Assembly	Yes

Item	Assembly #	Part #	Description	Qty	Sellable
1	N/A	97-0018	Top Cover ¹	1	Yes
2		68-3905	Screw Pack (B) ¹	1	Yes
3	68-4557	97-0065	Latch Release Lever Pin	1	Yes
4		97-0579	Spring, Torsion	1	Yes
5		68-1155	Latch Retracting Lever	1	Yes
6		97-0296	Latch Bolt	1	Yes
7		97-0300	L.B. Spring	1	Yes
8		97-0299	Chassis	1	Yes
9		97-0294	Pivot Pin	1	Yes
10		68-1455	Top Rod Adjuster	1	Yes
11		01-0461	Spirol Pin	1	Yes
12		01-0002	Roll Pin	1	Yes
13	97-0298	Top Slide	1	Yes	
14	N/A	670T	Top Rod	1	Yes
15		97-0020	Rod Guide ¹	1	Yes
16		646	Strike Pack	1	Yes

¹Specify Finish



A8373-A 05/23

The warranty on SARGENT® products becomes void if the product is modified in any way, regardless of whether the modification causes or contributes to any alleged defect. If a SARGENT product is modified it may no longer meet industry certification and quality control standards applicable to the original product and is no longer a genuine SARGENT product.

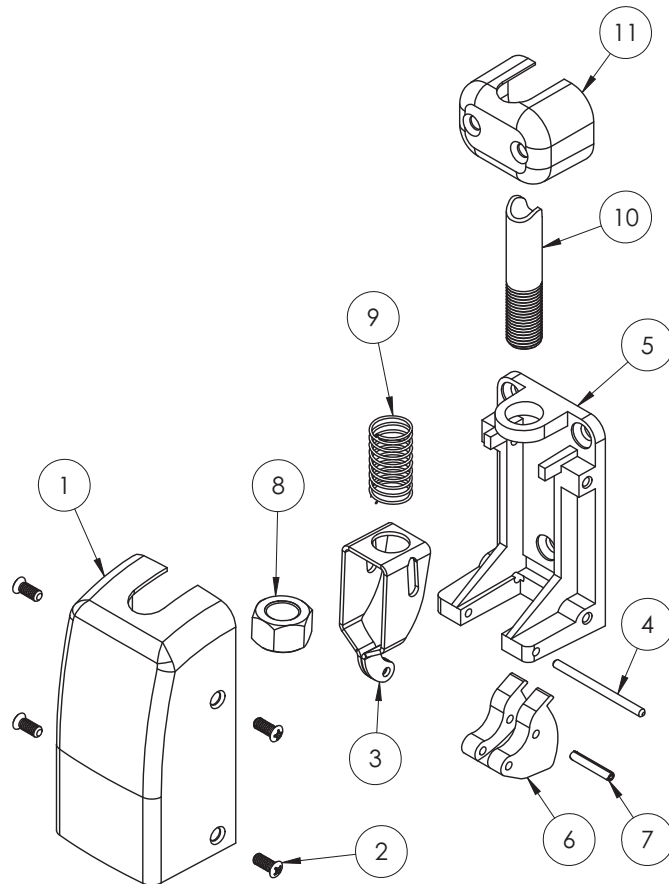
Copyright © 2023, SARGENT Manufacturing Company. All rights reserved. Reproduction in whole or in part without the express written permission of SARGENT Manufacturing Company is prohibited.

STD PE8706 PE8710 PE8713 PE8715
 PE8728 PE8740 PE8743 PE8746
 PE8762 PE8763 PE8773 PE8774

Option	Assembly #	Description	Sellable
(All Functions)	68-4549	Bottom Case Assembly	Yes

Item	Assembly #	Part #	Description	Qty	Sellable
1	N/A	97-0018	Bottom Cover ¹	1	Yes
2		68-3905	Screw Pack (B) ¹	1	Yes
3	68-4549	97-0035	Retractor	1	Yes
4		97-0084	Adjustment Pin, Bottom Rod	1	Yes
5		97-0025	Bottom Chassis	1	Yes
6		97-0053	Bottom Latch Bolt	1	Yes
7		01-0697	Spirol Pin	1	Yes
8		97-0572	Rod Adjustment Nut	1	Yes
9	N/A	97-0101	Spring, Compression	1	Yes
10		670B	Bottom Rod	1	Yes
11		97-0020	Rod Guide ¹	1	Yes
12		624	Bottom Strike Pack	1	Yes

¹Specify Finish



Experience a safer
 and more open world

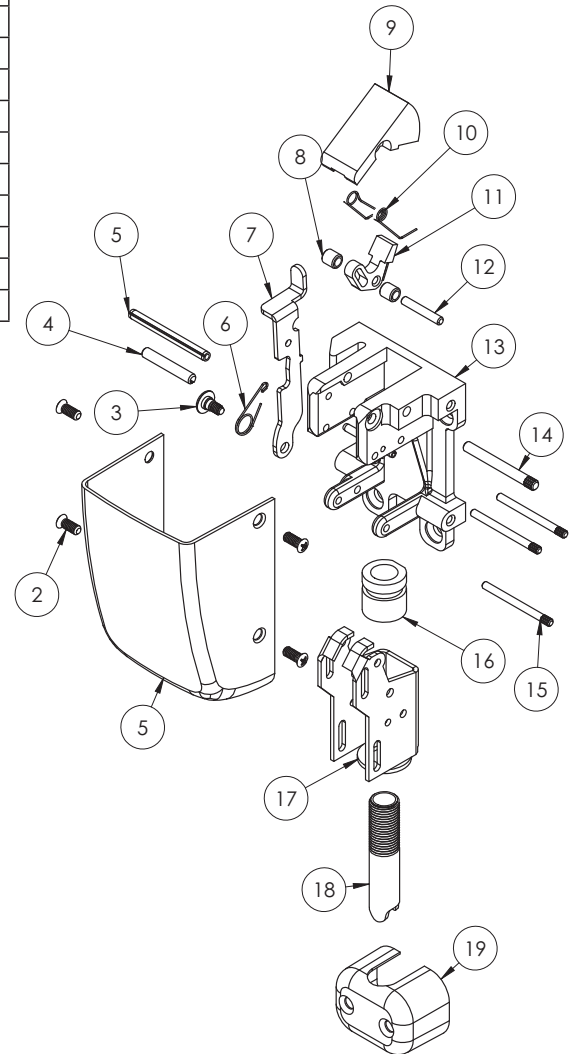
The warranty on SARGENT® products becomes void if the product is modified in any way, regardless of whether the modification causes or contributes to any alleged defect. If a SARGENT product is modified it may no longer meet industry certification and quality control standards applicable to the original product and is no longer a genuine SARGENT product.

Copyright © 2023, SARGENT Manufacturing Company. All rights reserved. Reproduction in whole or in part without the express written permission of SARGENT Manufacturing Company is prohibited.

12- PE8706 PE8710 PE8713 PE8715
 PE8728 PE8740 PE8743 PE8746
 PE8762 PE8763 PE8773 PE8774

Option	Assembly #	Description	Sellable
(All Functions)	68-4559	Top Case Assembly	Yes

Item	Assembly #	Part #	Description	Qty	Sellable	
1	N/A	97-0018	Top Cover ¹	1	Yes	
2		68-3905	Screw Pack (B) ¹	1	Yes	
3	68-4559	97-0065	Latch Release Lever Pin	1	Yes	
4		01-0002	Roll Pin	1	Yes	
5		01-0461	Spirol Pin	1	Yes	
6		97-0579	Spring, Torsion	1	Yes	
7		97-0399	Latch Retracting Lever	1	Yes	
8		97-0391	Sleeve	2	Yes	
9		97-0398	Latch Bolt	1	Yes	
10		97-0400	Top Case Spring	1	Yes	
11		97-0405	Guard Lever	1	Yes	
12		97-0393	Pivot Pin	1	Yes	
13		97-0402	Top Chassis	1	Yes	
14		97-0394	Latch Bolt Pivot Pin	1	Yes	
15		97-0294	Pivot Pin	3	Yes	
16		68-1455	Top Rod Adjuster	1	Yes	
17		97-0397	Slide	1	Yes	
18		N/A	670T	Top Rod	1	Yes
19			97-0020	Rod Guide ¹	1	Yes
20	646		Strike Pack	1	Yes	



¹Specify Finish

The warranty on SARGENT® products becomes void if the product is modified in any way, regardless of whether the modification causes or contributes to any alleged defect. If a SARGENT product is modified it may no longer meet industry certification and quality control standards applicable to the original product and is no longer a genuine SARGENT product.

Copyright © 2023, SARGENT Manufacturing Company. All rights reserved. Reproduction in whole or in part without the express written permission of SARGENT Manufacturing Company is prohibited.

FM-
12-FM-
HC-
12-HC-
HC4-
12-HC4-

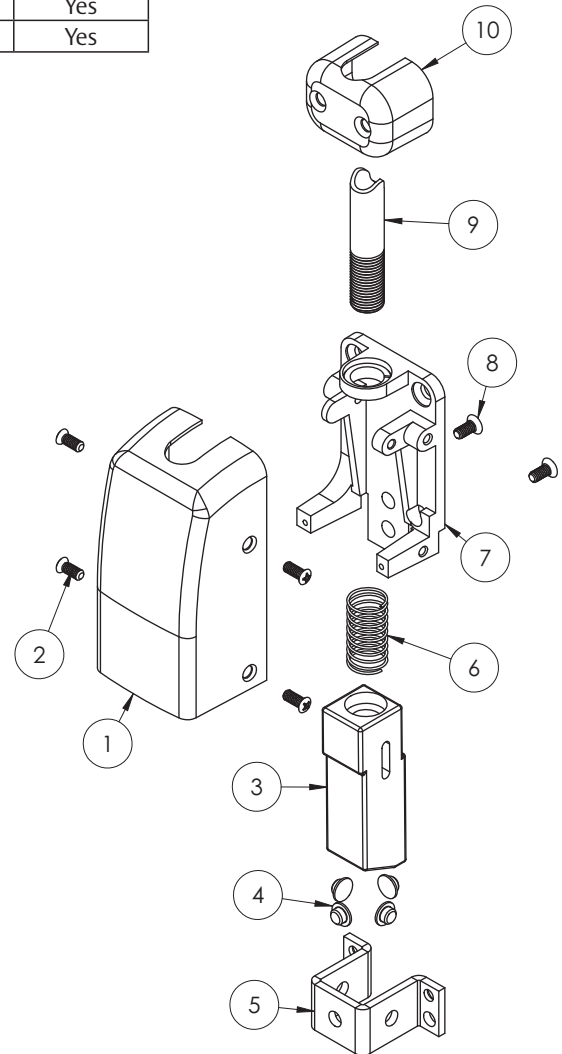
PE8706 PE8710 PE8713 PE8715
PE8728 PE8740 PE8743 PE8746
PE8762 PE8763 PE8773 PE8774

SARGENT
ASSA ABLOY

Option	Assembly #	Description	Sellable
(All Functions)	68-4558	Bottom Case Assembly	Yes

Item	Assembly #	Part #	Description	Qty	Sellable
1	N/A	97-0392	Bottom Cover ¹	1	Yes
2		68-3905	Screw Pack (B) ¹	1	Yes
3	68-4558	68-1454	Bottom Bolt	1	Yes
4		97-0305	Nylon Insert	4	Yes
5		97-0270	Reinforcement	1	Yes
6		97-0101	Spring, Compression	1	Yes
7		97-0080	Chassis	1	Yes
8		01-4404	CR-FH #6 Head 8-32 Screw	2	Yes
9	N/A	670B	Bottom Rod	1	Yes
10		97-0020	Rod Guide ¹	1	Yes
11		655	Flat Strike Pack (STD, HC)	1	Yes
		653	Bottom Strike Pack (FM)	1	Yes

¹Specify Finish



A8373:1 05/23

Experience a safer
and more open world

The warranty on SARGENT® products becomes void if the product is modified in any way, regardless of whether the modification causes or contributes to any alleged defect. If a SARGENT product is modified it may no longer meet industry certification and quality control standards applicable to the original product and is no longer a genuine SARGENT product.

Copyright © 2023, SARGENT Manufacturing Company. All rights reserved. Reproduction in whole or in part without the express written permission of SARGENT Manufacturing Company is prohibited.

35

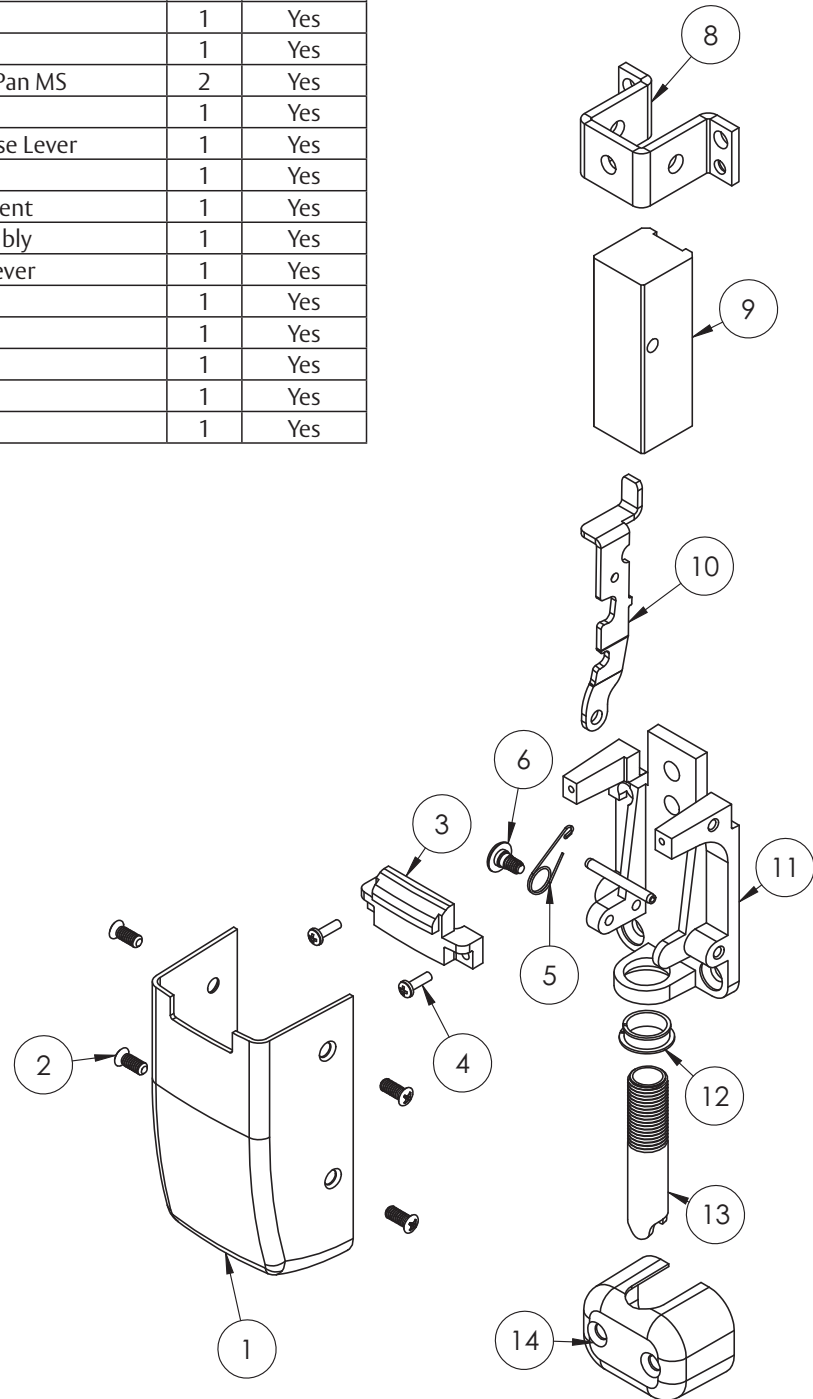
FM-	PE8706	PE8710	PE8713	PE8715
12-FM-	PE8728	PE8740	PE8743	PE8746
HC-	PE8762	PE8763	PE8773	PE8774
12-HC-				
HC4-				
12-HC4-				

SARGENT®
ASSA ABLOY

Option	Assembly #	Description	Sellable
(All Functions)	68-4561	Top Case Assembly	Yes

Item	Assembly #	Part #	Description	Qty	Sellable
1	N/A	97-0084	Top Cover ¹	1	Yes
2		68-3905	Screw Pack (B) ¹	1	Yes
3	68-4561	97-0079	Top Case Filler	1	Yes
4		01-1490	#4-40 x 3/8 PH Pan MS	2	Yes
5		97-0579	Spring, Torsion	1	Yes
6		97-0065	Pin, Latch Release Lever	1	Yes
7		01-0695	Spirol Pin	1	Yes
8		97-0761	Top Reinforcement	1	Yes
9		68-4560	Top Slide Assembly	1	Yes
10		68-1665	Latch Release Lever	1	Yes
11		97-0080	Chassis	1	Yes
12		01-0476	Snap-In Nyliner	1	Yes
13	N/A	670T	Top Rod	1	Yes
14		97-0020	Rod Guide ¹	1	Yes
15		659	Strike Pack	1	Yes

¹Specify Finish



A8373-A 05/23

36

The warranty on SARGENT® products becomes void if the product is modified in any way, regardless of whether the modification causes or contributes to any alleged defect. If a SARGENT product is modified it may no longer meet industry certification and quality control standards applicable to the original product and is no longer a genuine SARGENT product.

Copyright © 2023, SARGENT Manufacturing Company. All rights reserved. Reproduction in whole or in part without the express written permission of SARGENT Manufacturing Company is prohibited.

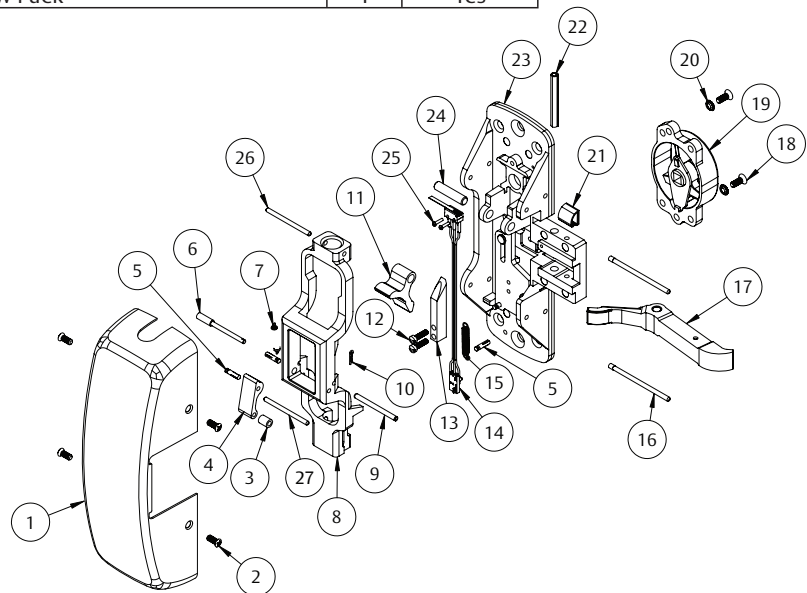
Experience a safer
and more open world

12-53- 12-53-HC- PE8706 PE8713 PE8715 PE8743
 53- 53-HC- PE8746 PE8773 PE8774
 12-53-NB- 12-53-HC4-
 53-NB- 53-HC4-
 59-

Option	Assembly #	Description	Sellable
06, 13, 15, 43, 46, 73, 74	68-3714 (LHRB)	Chassis Assembly	Yes
	68-3715 (RHRB)		Yes
	PE-2334 (LHRB) PE-2335 (RHRB)	59- Chassis Assembly	Yes

Item	Assembly #	Part #	Description	Qty	Sellable
1	N/A	PE-0144	Chassis Cover ¹	1	Yes
2		97-2563	Auxillary Screw Pack ¹	1	Yes
3	See chart above	68-1768	Spacer	1	No
4		68-1087	Locking Lever	1	No
5		01-0749	Groove Pin	3	No
6		68-1128	Slide Pivot Pin	1	No
7		68-1123	Lock Lever Spring	1	No
8		68-1671	Main Slide	1	No
9		68-1127	Roll Pin	1	No
10		98-0238	Guard Bracket Hairpin	1	Yes
11		68-1090	Lift Lever	1	Yes
12		01-4396	59-80 Machine Screw	2	No
13		68-1092	Lift Block	1	No
14		52-2217	Switch Assembly	1	Yes
15		97-0050	Knob Return Spring	1	Yes
16		68-0323	Chassis Pin	2	Yes
17		68-1137	Lift Arm	1	Yes
		PE-0302	59- PE Lift Arm		Yes
18		01-3384	8-32x7/16 PH FH MS	2	Yes
19		68-7803	Knob Hub Subassembly	1	Yes
20		01-0930	CS Lock Washer	2	Yes
21		01-0150	Wire Clip	1	Yes
22		01-4512	Spirol Pin	1	Yes
23		68-2413	Chassis w/ Locking Slide Assembly, LHRB	1	No
		68-2414	Chassis w/ Locking Slide Assembly, RHRB		No
24	68-0324	Lift Lever Pivot Pin	1	Yes	
25	01-4381	Machine Screw	2	No	
26	N/A	97-0049	Top Rod Adjustable Pin	1	Yes
27		97-0048	Bottom Rod Adjustable Pin	1	Yes
28		68-5991	Mounting Screw Pack	1	Yes

¹Specify Finish



The warranty on SARGENT® products becomes void if the product is modified in any way, regardless of whether the modification causes or contributes to any alleged defect. If a SARGENT product is modified it may no longer meet industry certification and quality control standards applicable to the original product and is no longer a genuine SARGENT product.

Copyright © 2023, SARGENT Manufacturing Company. All rights reserved. Reproduction in whole or in part without the express written permission of SARGENT Manufacturing Company is prohibited.

A8373:1 05/23

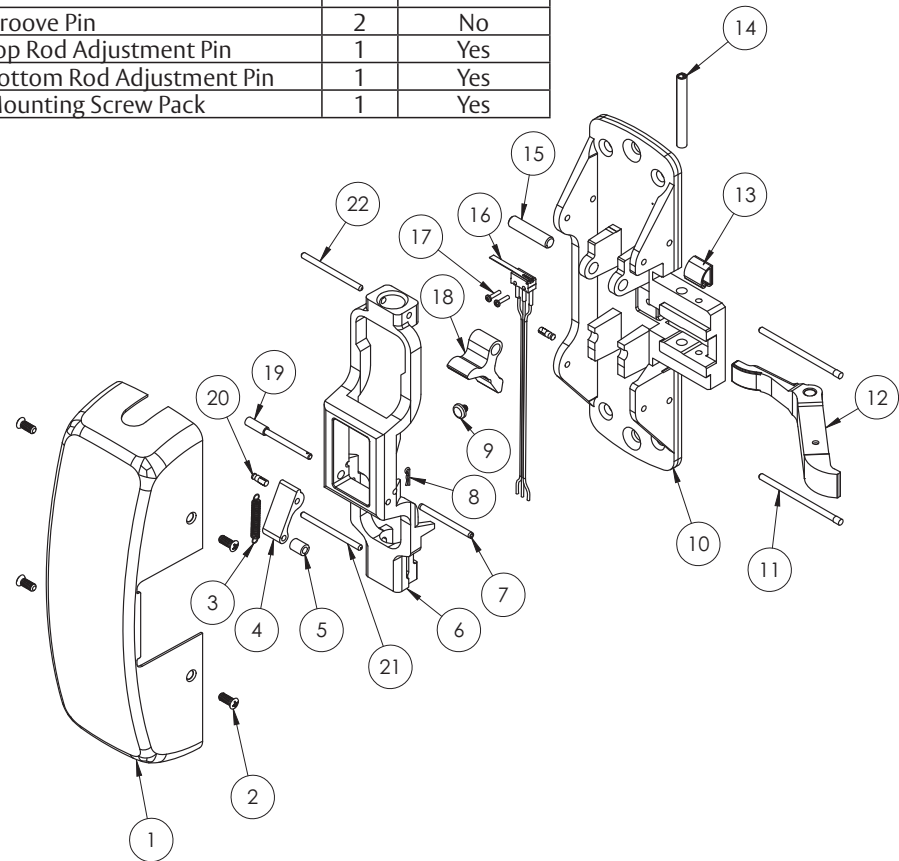
12-53- PE8710 PE8740
 53-
 12-53-HC-
 53-HC-
 59-

SARGENT®
ASSA ABLOY

Option	Assembly #	Description	Sellable
10, 40	68-3823 (LHRB)	Chassis Assembly	Yes
	68-3824 (RHRB)		Yes
	PE-2338 (LHRB) PE-2339 (RHRB)	59-Chassis Assembly	Yes

Item	Assembly #	Part #	Description	Qty	Sellable
1	N/A	PE-0144	Chassis Cover ¹	1	Yes
2		97-2563	Auxillary Screw Pack ¹	1	Yes
3	See chart above	68-1123	Spring, Locking Lever	1	No
4		68-1087	Locking Lever	1	No
5		68-1768	Spacer	1	No
6		68-1671	Main Slide	1	No
7		68-1127	Roll Pin	1	No
8		98-0238	Guard Bracket Hairpin	1	Yes
9		68-1294	Stop Pin	1	Yes
10		68-1113	Chassis, LHRB	1	No
		68-1114	Chassis, RHRB		No
11		68-0323	Chassis Pin	2	Yes
12	68-1137	Lift Arm	1	Yes	
	PE-0302	59- PE Lift Arm	1	Yes	
13	01-0150	Wire Clip	1	Yes	
14	01-4512	Spirol Pin	1	Yes	
15	68-0324	Lift Lever Pivot Pin	1	Yes	
16	52-2217	Switch Assembly	1	Yes	
17	01-4381	Machine Screw	2	No	
18	68-1090	Lift Lever	1	Yes	
19	68-1128	Slide Pivot Pin	1	No	
20	01-0749	Groove Pin	2	No	
21	N/A	97-0049	Top Rod Adjustment Pin	1	Yes
22		97-0048	Bottom Rod Adjustment Pin	1	Yes
23		68-5991	Mounting Screw Pack	1	Yes

¹Specify Finish



The warranty on SARGENT® products becomes void if the product is modified in any way, regardless of whether the modification causes or contributes to any alleged defect. If a SARGENT product is modified it may no longer meet industry certification and quality control standards applicable to the original product and is no longer a genuine SARGENT product.

Copyright © 2023, SARGENT Manufacturing Company. All rights reserved. Reproduction in whole or in part without the express written permission of SARGENT Manufacturing Company is prohibited.

Experience a safer
and more open world

12-53-
53-
12-53-HC4-
53-HC4-
59-

12-53-HC-
53-HC-

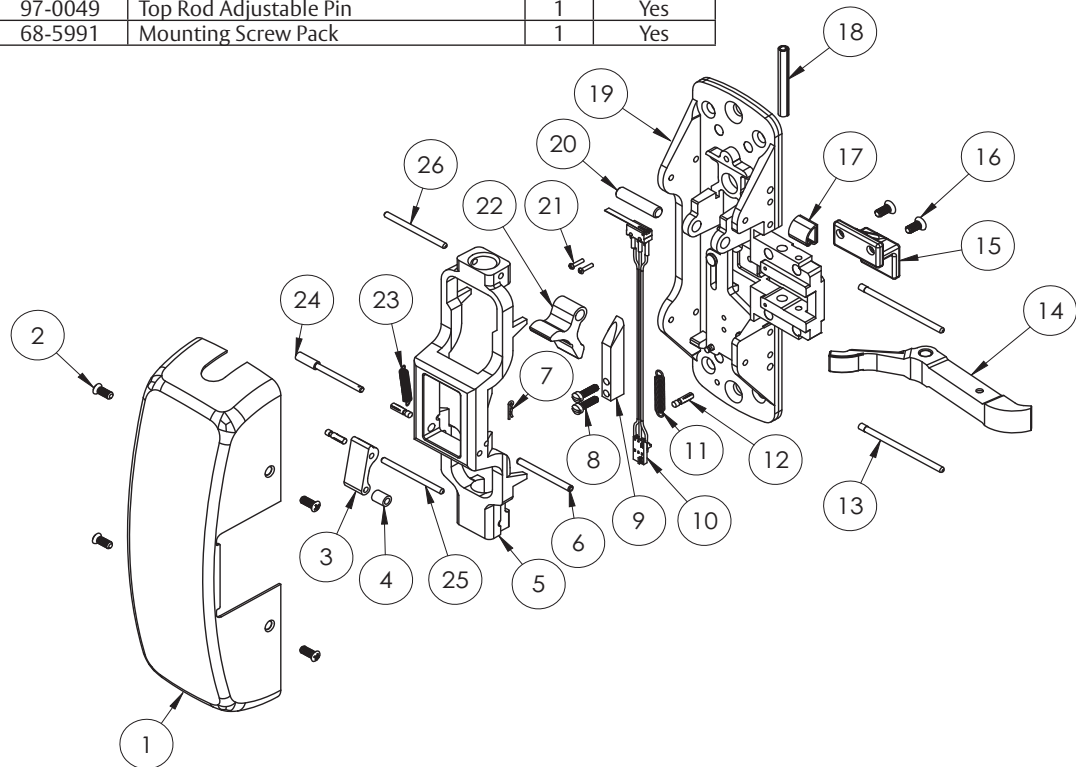
PE8728

SARGENT
ASSA ABLOY

Option	Assembly #	Description	Sellable
28	68-3829 (LHRB)	Chassis Assembly	Yes
	68-3830 (RHRB)		Yes
	PE-2342 (LHRB) PE-2343 (RHRB)	59-Chassis Assembly	Yes

Item	Assembly #	Part #	Description	Qty	Sellable
1	N/A	PE-0144	Chassis Cover ¹	1	Yes
2		68-3905	Auxillary Screw Pack ¹	1	Yes
3	See chart above	68-1087	Locking Lever	1	No
4		68-1768	Spacer	1	No
5		68-1671	Main Slide	1	Yes
6		68-1127	Roll Pin	1	No
7		98-0238	Guard Bracket Hairpin	1	Yes
8		01-4396	59-80 Machine Screw	2	Yes
9		68-1092	Lift Block	1	Yes
10		52-2217	Switch Assembly	1	Yes
11		97-0050	Knob Return Spring	1	Yes
12		01-0749	Groove Pin	3	No
13		68-0323	Chassis Pin	2	Yes
14		68-1137	Lift Arm	1	Yes
		PE-0302	59- PE Lift Arm		Yes
15		97-0089	Thumb Piece Lever	1	Yes
16		01-1146	8-32x3/8 PH FL U'CUT W/NY	1	Yes
17		01-0150	Wire Clip	1	Yes
18		01-4512	Spirol Pin	1	Yes
19		68-2413	Chassis w/ Locking Slide Assembly, LHRB	1	No
	68-2414	Chassis w/ Locking Slide Assembly, RHRB	No		
20	68-0324	Lift Lever Pivot Pin	1	Yes	
21	01-4381	Machine Screw	2	No	
22	68-1090	Lift Lever	1	Yes	
23	68-1123	Spring, Locking Lever	1	No	
24	68-1128	Slide Pivot Pin	1	No	
25	N/A	97-0048	Bottom Rod Adjustable Pin	1	Yes
26		97-0049	Top Rod Adjustable Pin	1	Yes
27		68-5991	Mounting Screw Pack	1	Yes

¹Specify Finish



Experience a safer
and more open world

The warranty on SARGENT® products becomes void if the product is modified in any way, regardless of whether the modification causes or contributes to any alleged defect. If a SARGENT product is modified it may no longer meet industry certification and quality control standards applicable to the original product and is no longer a genuine SARGENT product.

Copyright © 2023, SARGENT Manufacturing Company. All rights reserved. Reproduction in whole or in part without the express written permission of SARGENT Manufacturing Company is prohibited.

A8373:1 05/23

12-53-
53-
12-53-HC-
53-HC-
59-

PE8762 PE8763

SARGENT®
ASSA ABLOY

Option	Assembly #	Description	Sellable
62, 63	68-3826 (LHRB)	Chassis Assembly	Yes
	68-3827 (RHRB)		Yes
	PE-2340 (LHRB) PE-2341 (RHRB)	59-Chassis Assembly	Yes

Item	Assembly #	Part #	Description	Qty	Sellable
1	N/A	PE-0144	Chassis Cover ¹	1	Yes
2		97-2563	Auxillary Screw Pack ¹	1	Yes
3	See chart above	68-1087	Locking Lever	1	No
4		68-1768	Spacer	1	No
5		68-1671	Main Slide	1	No
6		68-1127	Roll Pin	1	No
7		98-0238	Guard Bracket Hairpin	1	Yes
8		68-1090	Lift Lever	1	Yes
9		01-4396	59-80 Machine Screw	2	Yes
10		52-2217	Switch Assembly	1	Yes
11		68-1092	Lift Block	1	Yes
12		97-0050	Knob Return Spring	1	Yes
13		68-2413	Chassis and Locking Slide Assembly, LHRB	1	No
		68-2414	Chassis and Locking Slide Assembly, RHRB		No
14		68-0323	Chassis Pin	2	Yes
15		68-1137	Lift Arm	1	Yes
		PE-0302	59- PE Lift Arm		Yes
16		97-0089	Thumb Piece Lever	1	Yes
17		01-1146	8-32x3/8 PH FL U'CUT W/NY	1	Yes
18		01-0150	Wire Clip	1	Yes
19		01-0005	Retaining Ring	1	Yes
20		01-4512	Spirol Pin	1	Yes
21		68-0324	Lift Lever Pivot Pin	1	Yes
22		68-2198	Locking Slide Assembly, LHRB	1	Yes
		68-2199	Locking Slide Assembly, RHRB		Yes
23		01-4381	Machine Screw	2	Yes
24		68-0368	Locking Slide Spring, LHRB	1	Yes
		97-0006	Locking Slide Spring, RHRB		Yes
25		01-1190	6-32x5/16 PH PNHD Self Tap Screw	1	Yes
26		97-2048	Cylinder Hub and Pin Assembly	1	Yes
27	68-1123	Lock Lever Spring	1	No	
28	68-1128	Slide Pivot Pin	1	No	
29	01-0749	Groove Pin	3	No	
30	N/A	97-0049	Top Rod Adjustable Pin	1	Yes
31		97-0048	Bottom Rod Adjustable Pin	1	Yes
32		68-5991	Mounting Screw Pack	1	Yes

¹Specify Finish

Continued on next page.

A8373-A 05/23

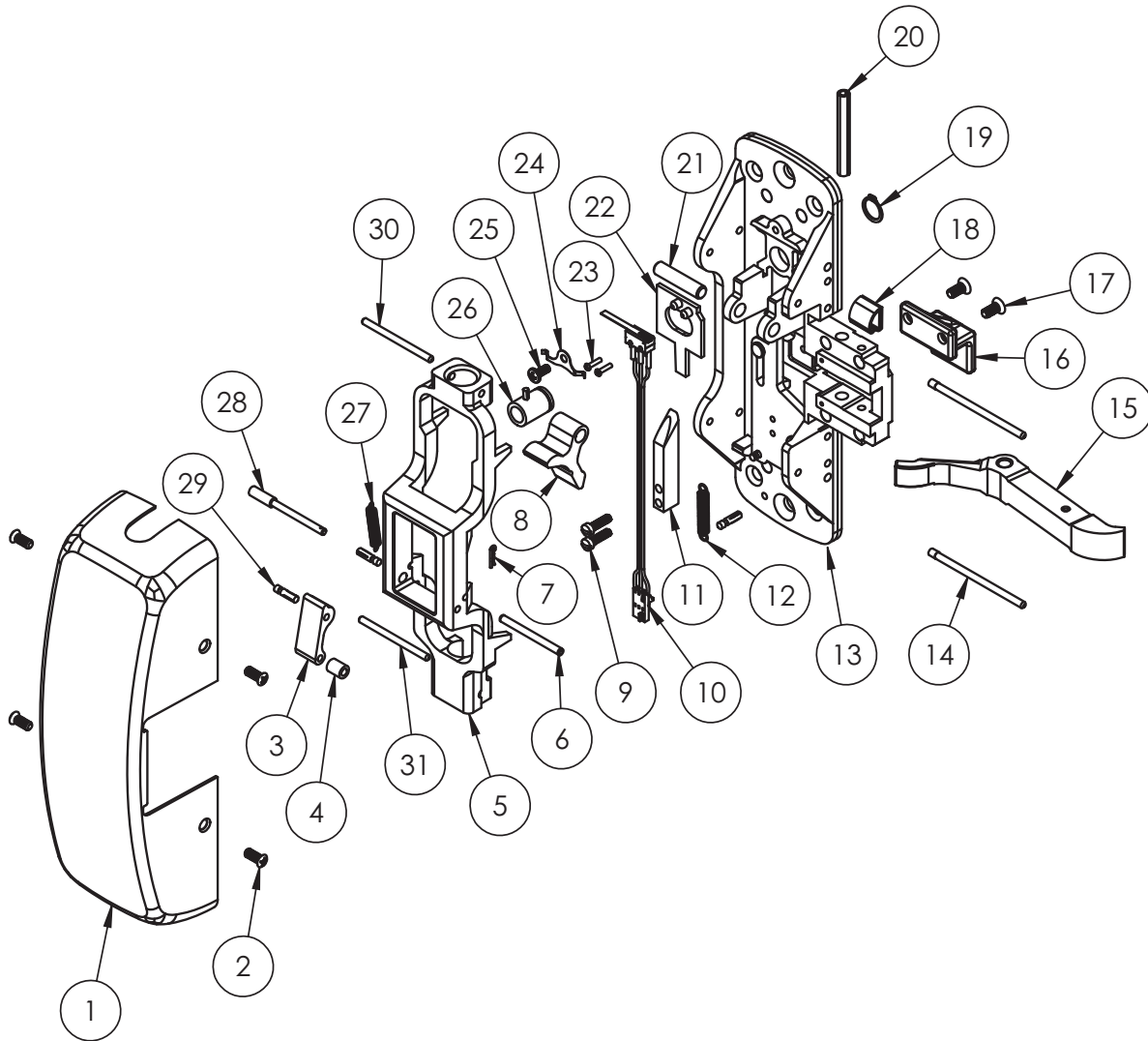
The warranty on SARGENT® products becomes void if the product is modified in any way, regardless of whether the modification causes or contributes to any alleged defect. If a SARGENT product is modified it may no longer meet industry certification and quality control standards applicable to the original product and is no longer a genuine SARGENT product.

Copyright © 2023, SARGENT Manufacturing Company. All rights reserved. Reproduction in whole or in part without the express written permission of SARGENT Manufacturing Company is prohibited.

12-53-
53-
12-53-HC-
53-HC-59-

PE8762 PE8763

SARGENT
ASSA ABLOY



Experience a safer
and more open world

The warranty on SARGENT® products becomes void if the product is modified in any way, regardless of whether the modification causes or contributes to any alleged defect. If a SARGENT product is modified it may no longer meet industry certification and quality control standards applicable to the original product and is no longer a genuine SARGENT product.

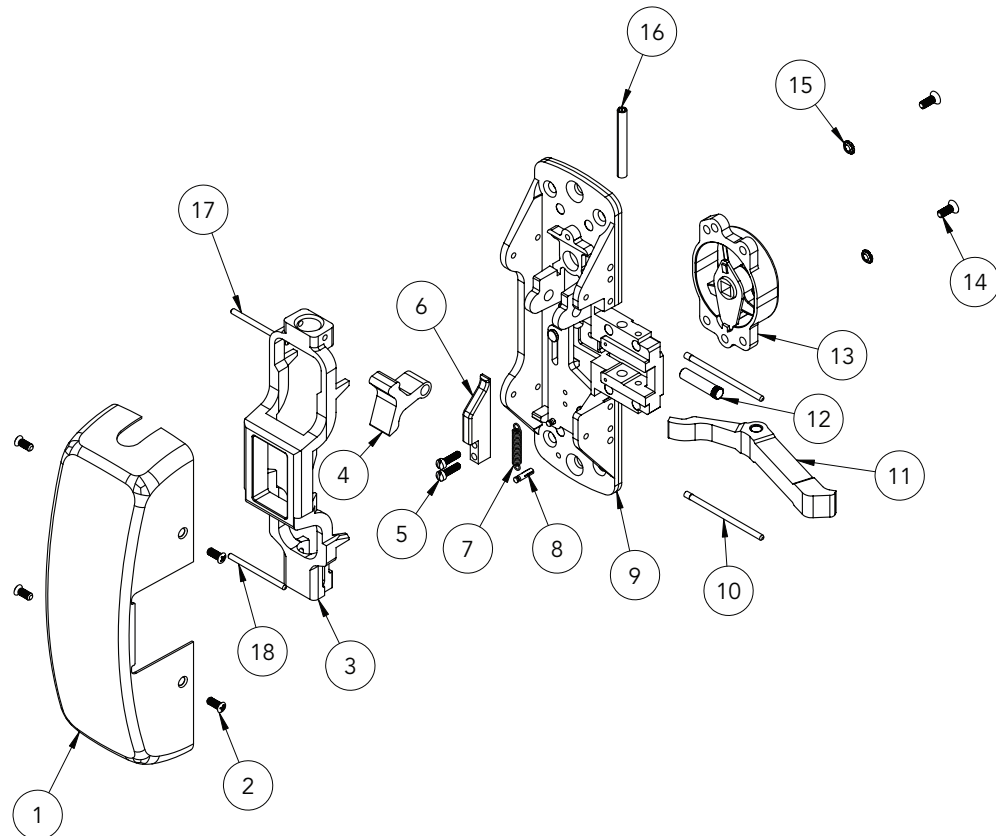
Copyright © 2023, SARGENT Manufacturing Company. All rights reserved. Reproduction in whole or in part without the express written permission of SARGENT Manufacturing Company is prohibited.

A8373:1 05/23

Option	Assembly #	Description	Sellable
06, 13, 15, 43, 46, 73, 74	68-7306 (LHRB)	Chassis Assembly	Yes
	68-7307 (RHRB)		Yes

Item	Assembly #	Part #	Description	Qty	Sellable
1	N/A	PE-0144	Chassis Cover ¹	1	Yes
2		97-2563	Auxillary Screw Pack ¹	1	Yes
3	See chart above	68-1664	Main Slide	1	Yes
4		68-1656	Lift Lever	1	Yes
5		01-4396	59-80 Machine Screw	2	Yes
6		68-1655	Lift Block	1	Yes
7		97-0050	Knob Return Spring	1	Yes
8		01-0749	Groove Pin	1	No
9		68-7310	Chassis and Slide Assembly, LHRB	1	No
		68-7311	Chassis and Slide Assembly, RHRB		No
10		68-0323	Chassis Pin	2	Yes
11		68-0241	Lift Arm	1	Yes
12		01-9372	Lift Lever Pivot Pin	1	Yes
13		68-7803	Knob Hub Assembly	1	Yes
14		01-3384	8-32x7/16 PH FH MS	2	Yes
15		01-0930	Countersunk Lock Washer	2	Yes
16		01-4512	Spirol Pin	1	Yes
17		97-0049	Top Rod Adjustment Pin	1	Yes
18		97-0048	Bottom Rod Adjustment Pin	1	Yes
19		68-5991	Mounting Screw Pack	1	Yes

¹Specify Finish



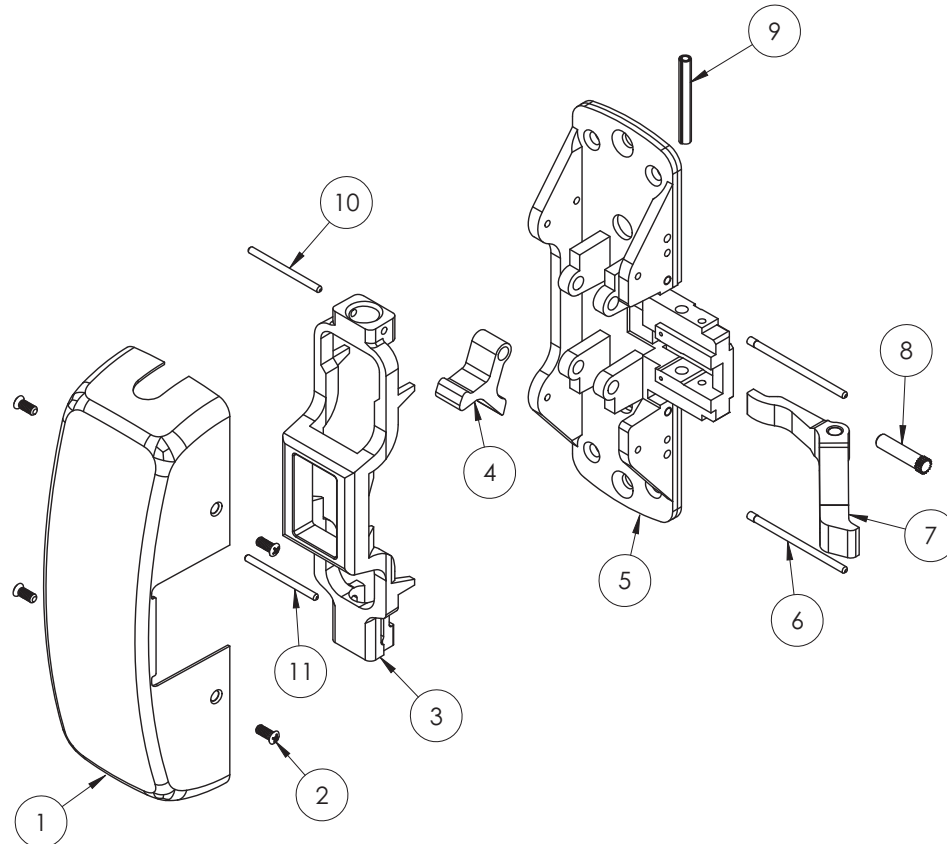
A8373-A 05/23

The warranty on SARGENT® products becomes void if the product is modified in any way, regardless of whether the modification causes or contributes to any alleged defect. If a SARGENT product is modified it may no longer meet industry certification and quality control standards applicable to the original product and is no longer a genuine SARGENT product.

Option	Assembly #	Description	Sellable
(10, 40)	68-7308 (LHRB)	Chassis Assembly	Yes
	68-7309 (RHRB)		Yes

Item	Assembly #	Part #	Description	Qty	Sellable
1	N/A	PE-0144	Chassis Cover ¹	1	Yes
2		97-2563	Auxillary Screw Pack ¹	1	Yes
3	See chart above	68-1664	Main Slide	1	Yes
4		68-1656	Lift Lever	1	Yes
5		68-1660	Chassis	1	Yes
6		68-0323	Chassis Pin	2	Yes
7		68-0241	Lift Arm	1	Yes
8		01-9372	Lift Lever Pivot Pin	1	Yes
9		01-4512	Spirol Pin	1	Yes
10	N/A	97-0049	Top Rod Adjustment Pin	1	Yes
11		97-0048	Bottom Rod Adjustment Pin	1	Yes
12		68-5991	Mounting Screw Pack	1	Yes

¹Specify Finish



The warranty on SARGENT® products becomes void if the product is modified in any way, regardless of whether the modification causes or contributes to any alleged defect. If a SARGENT product is modified it may no longer meet industry certification and quality control standards applicable to the original product and is no longer a genuine SARGENT product.

Copyright © 2023, SARGENT Manufacturing Company. All rights reserved. Reproduction in whole or in part without the express written permission of SARGENT Manufacturing Company is prohibited.

12-HC4-
HC4-

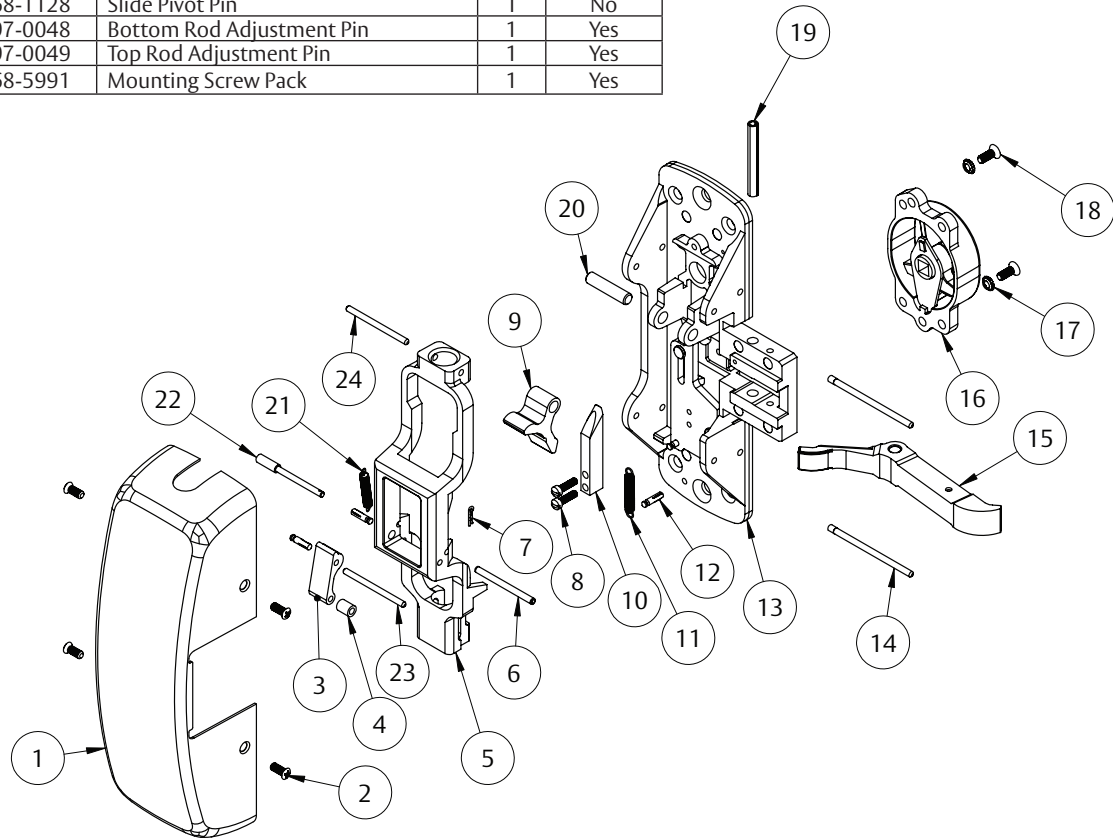
PE8706 PE8710 PE8713 PE8715
PE8740 PE8743 PE8746 PE8773 PE8774

SARGENT®
ASSA ABLOY

Option	Assembly #	Description	Sellable
06, 10, 13, 15, 40, 43, 46, 73, 74	68-4112 (LHRB)	Chassis Assembly	Yes
	68-4113 (RHRB)		Yes

Item	Assembly #	Part #	Description	Qty	Sellable
1	N/A	PE-0144	Chassis Cover ¹	1	Yes
2		97-2563	Auxillary Screw Pack ¹	1	Yes
3	See chart above	68-1087	Locking Lever	1	No
4		68-1768	Spacer	1	No
5		68-1671	Main Slide	1	Yes
6		68-1127	Roll Pin	1	No
7		98-0238	Guard Bracket Hairpin	1	Yes
8		01-4396	59-80 Machine Screw	2	No
9		68-1090	Lift Lever	1	Yes
10		68-1092	Lift Block	1	Yes
11		97-0050	Knob Return Spring	1	Yes
12		01-0749	Groove Pin	3	Yes
13		68-2413	Chassis and Slide Assembly, LHRB	1	No
		68-2414	Chassis and Slide Assembly, RHRB		No
14	68-0323	Chassis Pin	2	Yes	
15	68-1137	Lift Arm	1	Yes	
16	68-7803	Knob Hub Subassembly	1	Yes	
17	01-0930	Countersunk Lock Washer	2	Yes	
18	01-3384	8-32x7/16 PH FH MS	2	Yes	
19	01-4512	Spirol Pin	1	Yes	
20	68-0324	Lift Lever Pivot Pin	2	Yes	
21	68-1123	Return Spring, Guarding	1	No	
22	68-1128	Slide Pivot Pin	1	No	
23	N/A	97-0048	Bottom Rod Adjustment Pin	1	Yes
24		97-0049	Top Rod Adjustment Pin	1	Yes
25		68-5991	Mounting Screw Pack	1	Yes

¹Specify Finish



A8373-A 05/23

The warranty on SARGENT® products becomes void if the product is modified in any way, regardless of whether the modification causes or contributes to any alleged defect. If a SARGENT product is modified it may no longer meet industry certification and quality control standards applicable to the original product and is no longer a genuine SARGENT product.

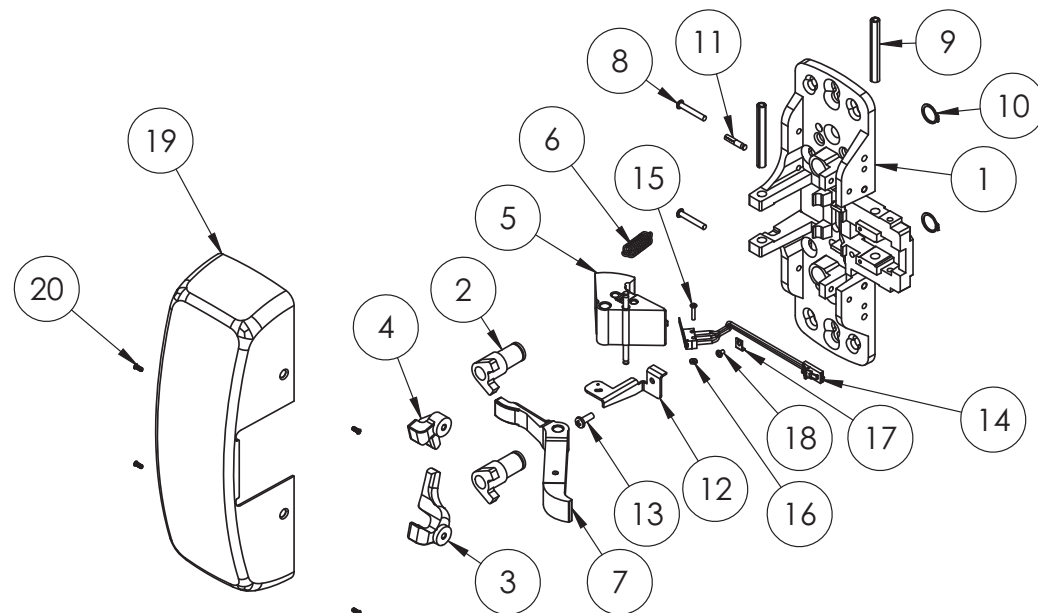
Copyright © 2023, SARGENT Manufacturing Company. All rights reserved. Reproduction in whole or in part without the express written permission of SARGENT Manufacturing Company is prohibited.

STD PE8804 PE8806 PE8810 PE8813 PE8815 PE8840 PE8843
 WS- PE8844 PE8846 PE8873 PE8874 PE8875 PE8876 PE8877
 53- PE8878 PE8881 PE8882 PE8888
 WS-53-

Option	Assembly #	Description	Sellable
(All functions)	68-4261	LHRB/RHRB	Yes
WS- (All functions)		LHRB/RHRB	
53- (All functions)	68-6075	LHRB/RHRB	Yes
WS-53- All functions)		LHRB/RHRB	

Item	Assembly #	Part #	Description	Qty	Sellable
1	See chart above	68-1389	Chassis Blank (Std)	1	No
2		98-0018	Outside Cylinder Hub	2	Yes
3		68-1367	Lift Lever (RH)	1	Yes
4		68-1366	Lift Lever (LH)	1	Yes
5		68-4413	Standard Latchbolt (68-4261)	1	Yes
		68-7417	53- Standard Latchbolt (68-6075)	1	Yes
6		98-0028	Latchbolt Spring	1	Yes
7		68-1137	Lift Arm	1	Yes
8		98-0011	Latchbolt Lever Pivot Pin	2	Yes
9		01-4512	Spirol Pin	2	Yes
10		01-0005	Retaining Ring, Truarc 5100-43	2	Yes
11		01-0008	Groove Pin	1	No
12		68-1685	Switch Bracket (53- Only)	1	Yes
13		01-1220	#6-32 x 1/8" Ph Pn Hd Machine Screw (53- Only)	1	Yes
14		52-4545	Switch Assembly (53- Only)	1	Yes
15		01-9446	#1-72 x 11/32" Ph Fl Hd Machine Screw (53- Only)	1	Yes
16		01-0909	Hex Machine Screw Nut (53- Only)	1	Yes
17		52-0310	Cable Clamp (53- Only)	1	Yes
18		01-1482	Cr-Phms #2-56 X 1/8" (53- Only)	1	Yes
19	N/A	PE-0145	Cover ¹	1	Yes
20		68-3905	Screw Pack ¹	1	Yes
Not Shown		68-2143	Screw Pack	1	Yes
		649	Strike Pack	1	Yes

¹Indicates finish required



Experience a safer
and more open world

The warranty on SARGENT® products becomes void if the product is modified in any way, regardless of whether the modification causes or contributes to any alleged defect. If a SARGENT product is modified it may no longer meet industry certification and quality control standards applicable to the original product and is no longer a genuine SARGENT product.

Copyright © 2023, SARGENT Manufacturing Company. All rights reserved. Reproduction in whole or in part without the express written permission of SARGENT Manufacturing Company is prohibited.

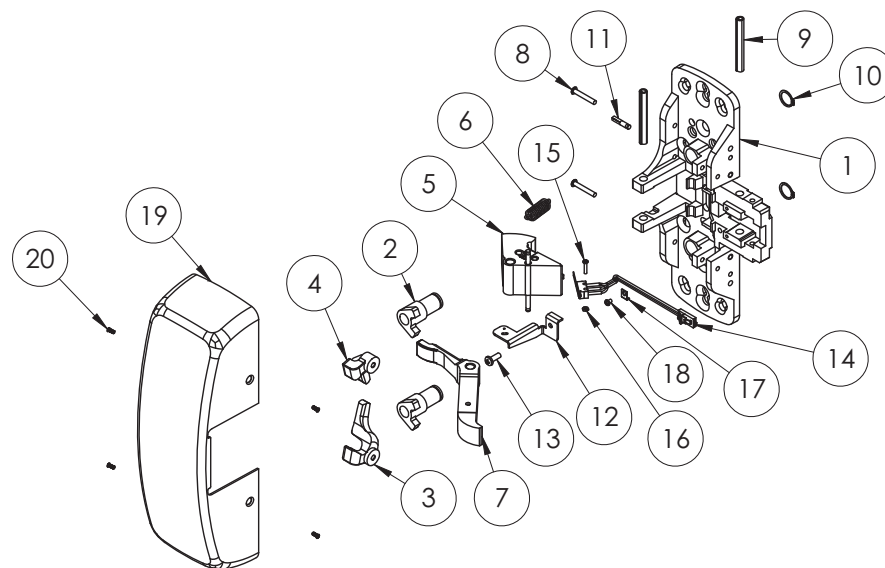
12-	PE8804	PE8806	PE8810	PE8813	PE8815	PE8840
12-WS-	PE8843	PE8844	PE8846	PE8873	PE8874	PE8875
12-53-	PE8876	PE8877	PE8878	PE8881	PE8882	PE8888
WS-12-53-						



Option	Assembly #	Description	Sellable
12- (All functions)	68-4263	LHRB/RHRB	Yes
WS-12- (All functions)		LHRB/RHRB	
12-53- (All functions)	68-6076	LHRB/RHRB	Yes
WS-12-53- (All functions)		LHRB/RHRB	

Item	Assembly #	Part #	Description	Qty	Sellable
1	See chart above	68-1378	Chassis Blank (12-)	1	No
2		98-0018	Outside Cylinder Hub	2	Yes
3		68-1367	Lift Lever (RH)	1	Yes
4		68-1366	Lift Lever (LH)	1	Yes
5		68-4414	Fire Rated Latchbolt (68-4263)	1	Yes
		68-7418	12-53- Standard Latchbolt (68-6076)	1	Yes
6		98-0028	Latchbolt Spring	1	Yes
7		68-1137	Lift Arm	1	Yes
8		98-0011	Latchbolt Lever Pivot Pin	2	Yes
9		01-4512	Spirol Pin	2	Yes
10		01-0005	Retaining Ring, Truarc 5100-43	2	Yes
11		01-0008	Groove Pin	1	No
12		68-1685	Switch Bracket (53- Only)	1	Yes
13		01-1220	#6-32 x 1/8" Ph Pn Hd Machine Screw (53- Only)	1	Yes
14		52-4545	Switch Assembly (53- Only)	1	Yes
15		01-9446	#1-72 X 11/32" Ph Fl Hd Machine Screw (53- Only)	1	Yes
16		01-0909	Hex Machine Screw Nut (53- Only)	1	Yes
17		52-0310	Cable Clamp (53- Only)	1	Yes
18	01-1482	Cr-Phms #2-56 X 1/8" (53- Only)	1	Yes	
19	N/A	PE-0145	Cover ¹	1	Yes
20		68-3905	Cover Screw Pack (#8-32 X 5/16") ¹	1	Yes
Not Shown		68-2143	Screw Pack	1	Yes
		649	Strike Pack	1	Yes

¹Indicates finish required



A8373-A 05/23

The warranty on SARGENT® products becomes void if the product is modified in any way, regardless of whether the modification causes or contributes to any alleged defect. If a SARGENT product is modified it may no longer meet industry certification and quality control standards applicable to the original product and is no longer a genuine SARGENT product.

AL-
GL-
59-

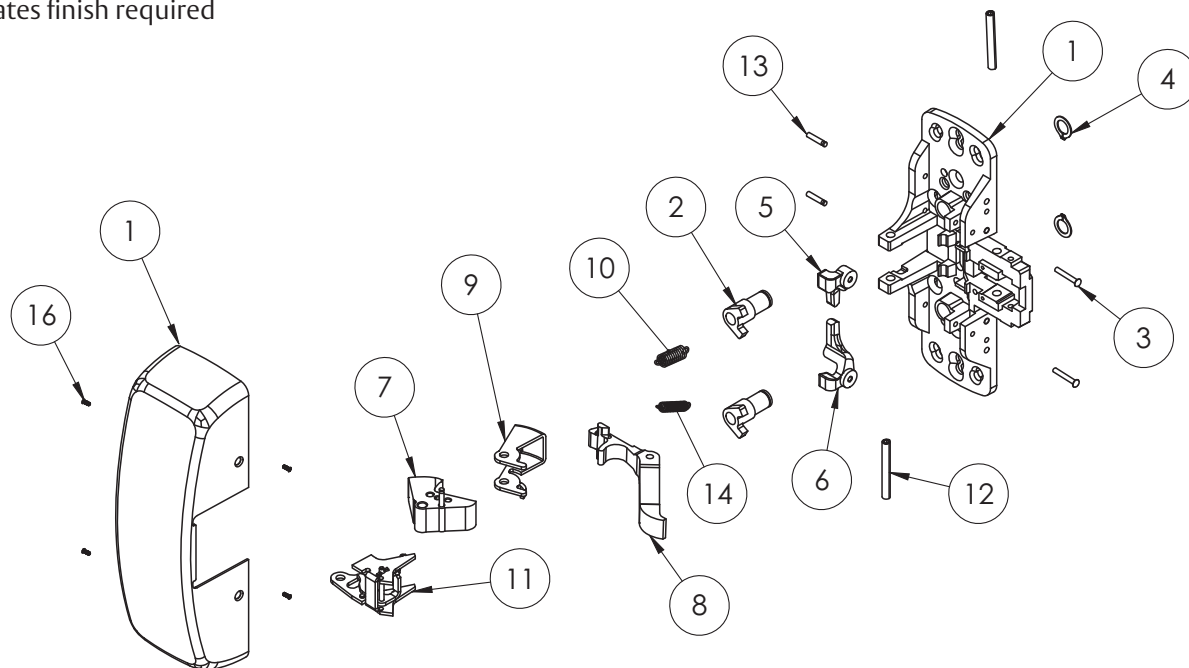
PE8804 PE8806 PE8810 PE8813 PE8815 PE8840
 PE8843 PE8844 PE8846 PE8875 PE8876 PE8877
 PE8878

SARGENT
ASSA ABLOY

Option	Assembly #	Description	Sellable
AL- (All Functions Except 77,78,81,82)	68-4410	LHRB/RHRB	Yes
GL- (All Functions)		LHRB/RHRB	
59- (All Functions)	PE-2321	LHRB/RHRB	Yes

Item	Assembly #	Part #	Description	Qty	Sellable
1	See chart above	68-1485	Chassis (Std)	1	No
2		98-0018	Outside Hub	2	Yes
3		98-0011	Latchbolt Lever Pin	2	Yes
4		01-0005	Retaining Ring, Truarc 5100-43	2	Yes
5		68-1367	Lift Lever (RH)	1	Yes
6		68-1366	Lift Lever (LH)	1	Yes
7		68-4415	Guarded Latchbolt	1	Yes
8		68-1353	Lift Arm	1	Yes
		PE-0301	59- PE Lift Arm (Guarded)		
9		68-1352	Guide	1	Yes
10		98-0028	Latchbolt Spring	1	Yes
11		68-4417	Guard Bracket Std	1	Yes
12		01-4512	Spirol Pin	2	Yes
13		01-0008	Groove Pin	2	No
14	68-1394	Guide Spring	1	Yes	
15	N/A	PE-0409	Cover ¹	1	Yes
16		68-3905	Cover Screw Pack ¹	1	Yes
Not Shown		68-2143	Screw Pack	1	Yes
		649	Strike Pack	1	Yes

¹ Indicates finish required



Experience a safer
and more open world

The warranty on SARGENT® products becomes void if the product is modified in any way, regardless of whether the modification causes or contributes to any alleged defect. If a SARGENT product is modified it may no longer meet industry certification and quality control standards applicable to the original product and is no longer a genuine SARGENT product.

Copyright © 2023, SARGENT Manufacturing Company. All rights reserved. Reproduction in whole or in part without the express written permission of SARGENT Manufacturing Company is prohibited.

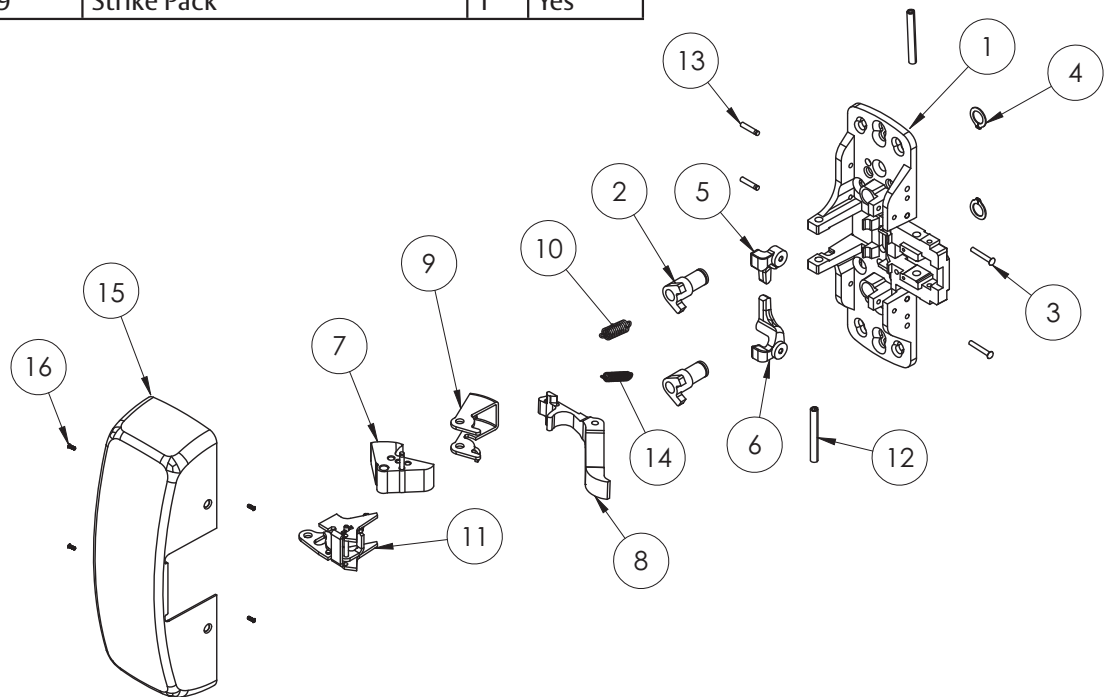
A8373:1 05/23

12-AL-	PE8804	PE8806	PE8810	PE8813	PE8815	PE8840
12-GL-	PE8843	PE8844	PE8846	PE8875	PE8876	PE8877
12-59-	PE8878	PE8881	PE8882			

Option	Assembly #	Description	Sellable
12-AL- (All Functions Except 77,78,81,82)	68-4411	LHRB/RHRB	Yes
12-GL- (All Functions)		LHRB/RHRB	
12-59- (All Functions)	PE-2322	LHRB/RHRB	Yes

Item	Assembly #	Part #	Description	Qty	Sellable
1	See chart above	68-1378	Chassis (12-)	1	No
2		98-0018	Outside Hub	2	Yes
3		98-0011	Latchbolt Lever Pin	2	Yes
4		01-0005	Retaining Ring, Truarc 5100-43	2	Yes
5		68-1367	Lift Lever (RH)	1	Yes
6		68-1366	Lift Lever (LH)	1	Yes
7		68-4415	Guarded Latchbolt	1	Yes
8		68-1353	Lift Arm	1	Yes
		PE-0301	59- PE Lift Arm (Guarded)		
9		68-1352	Guide	1	Yes
10		98-0028	Latchbolt Spring	1	Yes
11		68-4417	Guard Bracket Std	1	Yes
12		01-4512	Spirol Pin	2	Yes
13		01-0008	Groove Pin	2	No
14	68-1394	Guide Spring	1	Yes	
15	N/A	PE-0409	Cover ¹	1	Yes
16		68-3905	Cover Screw Pack ¹	1	Yes
Not Shown		68-2143	Screw Pack	1	Yes
		649	Strike Pack	1	Yes

¹Indicates finish required



A8373-A 05/23

The warranty on SARGENT® products becomes void if the product is modified in any way, regardless of whether the modification causes or contributes to any alleged defect. If a SARGENT product is modified it may no longer meet industry certification and quality control standards applicable to the original product and is no longer a genuine SARGENT product.

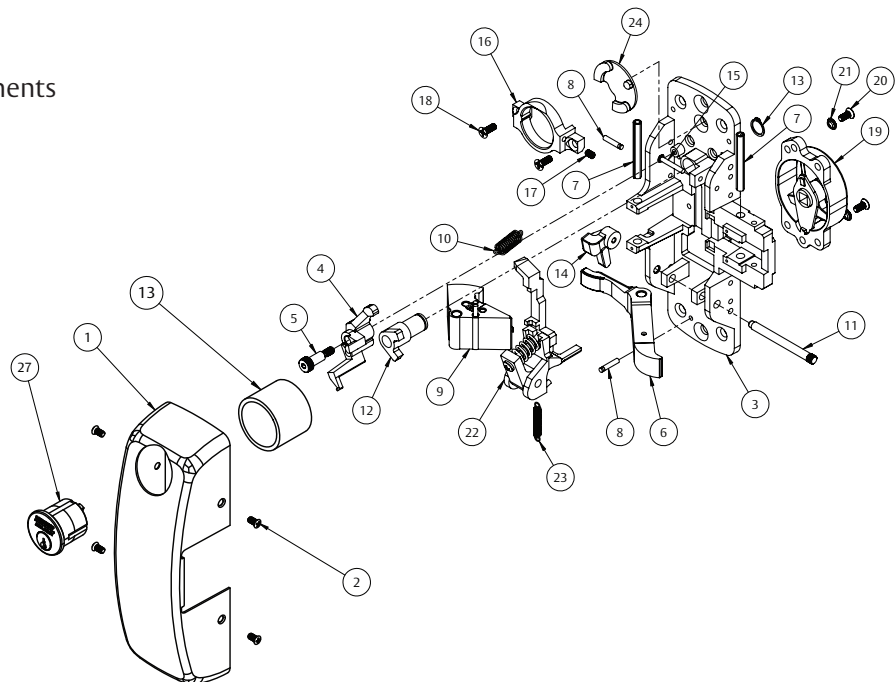
Copyright © 2023, SARGENT Manufacturing Company. All rights reserved. Reproduction in whole or in part without the express written permission of SARGENT Manufacturing Company is prohibited.

Function	Assembly #	Description	Sellable
16	68-2425 (LHRB)	Chassis Assembly	Yes
	68-2426 (RHRB)		Yes

Item	Assembly #	Part #	Description	Qty	Sellable
1	N/A	PE-0147	Chassis Cover (LHRB) ¹	1	Yes
		PE-0148	Chassis Cover (RHRB) ¹		
2		68-3908	Cover Screw Pack ¹	1	Yes
3		68-0940	Chassis (LHRB)	1	No
		68-0941	Chassis (RHRB)		
4		68-7802	Locking Lever Subassembly (LHRB)	1	Yes
		68-8613	Locking Lever Subassembly (RHRB)		
5		01-9700	Shoulder Screw	1	Yes
6		68-1137	Lift Arm	1	Yes
7		01-4512	Spirol Pin	2	Yes
8		01-0008	Groove Pin	2	Yes
9		68-4414	Latch Bolt Assembly	1	Yes
10		98-0028	Spring, Latch Bolt Return	1	Yes
11		68-0271	Pivot Pin, Knob Lever	1	Yes
12		98-0018	Outside Cylinder Hub	3	Yes
13	See chart above	01-0005	Retaining Ring	2	Yes
		68-0237	Latch Bolt Lift Lever (LHRB)		
14		68-0238	Latch Bolt Lift Lever (RHRB)	1	Yes
15		98-0011	Pivot Pin, Latch Bolt Lift Lever	1	Yes
16		98-0020	Inside Cylinder Support	1	Yes
17		01-1095	Set Screw #8-32 x 1/4 Cup Point	2	Yes
18		01-3384	Machine Screw, #8-32 X 7/16	2	Yes
19		68-7803	Knob Hub Subassembly	1	Yes
20		01-1146	Machine Screw, #8-32 X 3/8	2	Yes
21		01-0930	Countersunk Lock Washer	1	Yes
22		68-4236	Knob Lever (LHRB)	1	Yes
		68-4235	Knob Lever (RHRB)		
23		97-0050	Spring, Knob Return	1	Yes
24		68-1929	Cylinder Cam Adapter	1	Yes
25		98-0021	Blocking Ring ¹	1	Yes
26	N/A	68-2143	Screw Pack	1	Yes
27		-	Cylinder ^{1,2}	1	Yes
28		649	Strike Pack	1	Yes

¹ Specify Finish

² Specify #44 cylinder by keying requirements



Function	Assembly #	Description	Sellable
16	68-4077 (LHRB)	Chassis Assembly	Yes
	68-4078 (RHRB)		

Item	Assembly #	Part #	Description	Qty	Sellable
1	N/A	PE-0410	Chassis Cover (LHRB) ¹	1	Yes
		PE-0411	Chassis Cover (RHRB) ¹		
2		68-3908	Cover Screw Pack ¹	1	Yes
3	See chart above	68-0940	Chassis (LHRB)	1	No
		68-0941	Chassis (RHRB)		
4		68-7802	Locking Lever Subassembly (LHRB)	1	Yes
		68-8613	Locking Lever Subassembly (RHRB)		
5		01-9700	Shoulder Screw	1	Yes
6		68-1353	Lift Arm	1	Yes
7		01-4512	Spirol Pin	2	Yes
8		01-0008	Groove Pin	2	Yes
9		68-4415	Latch Bolt Assembly	1	Yes
10		98-0028	Spring, Latch Bolt Return	1	Yes
11		68-1394	Spring, Guarding	1	Yes
12		68-0271	Pivot Pin, Knob Lever	1	Yes
13		98-0018	Outside Cylinder Hub	1	Yes
14		01-0005	Retaining Ring	2	Yes
15		68-4417	Guard Bracket Assembly	1	Yes
16		68-1352	Guide, Guarding	1	Yes
17		68-0237	Latch Bolt Lift Lever (LHRB)	1	Yes
		68-0238	Latch Bolt Lift Lever (RHRB)		
18		98-0011	Pivot Pin, Latch Bolt Lift Lever	1	Yes
19		98-0020	Inside Cylinder Support	1	Yes
20		01-1095	Set Screw #8-32 x 1/4 Cup Point	2	Yes
21		01-3384	Machine Screw, #8-32 X 7/16	2	Yes
22		68-7803	Knob Hub Subassembly	1	Yes
23		01-1146	Machine Screw, #8-32 X 3/8	2	Yes
24	01-0930	Countersunk Lock Washer	1	Yes	
25	68-4236	Knob Lever (LHRB)	1	Yes	
	68-4235	Knob Lever (RHRB)			
26	97-0050	Spring, Knob Return	1	Yes	
27	68-1929	Cylinder Cam Adapter	1	Yes	
28	N/A	98-0021	Blocking Ring*	1	Yes
29		68-2143	Screw Pack	1	Yes
30		-	Cylinder ^{1,2}	1	Yes
31		649	Strike Pack	1	Yes

¹ Specify Finish

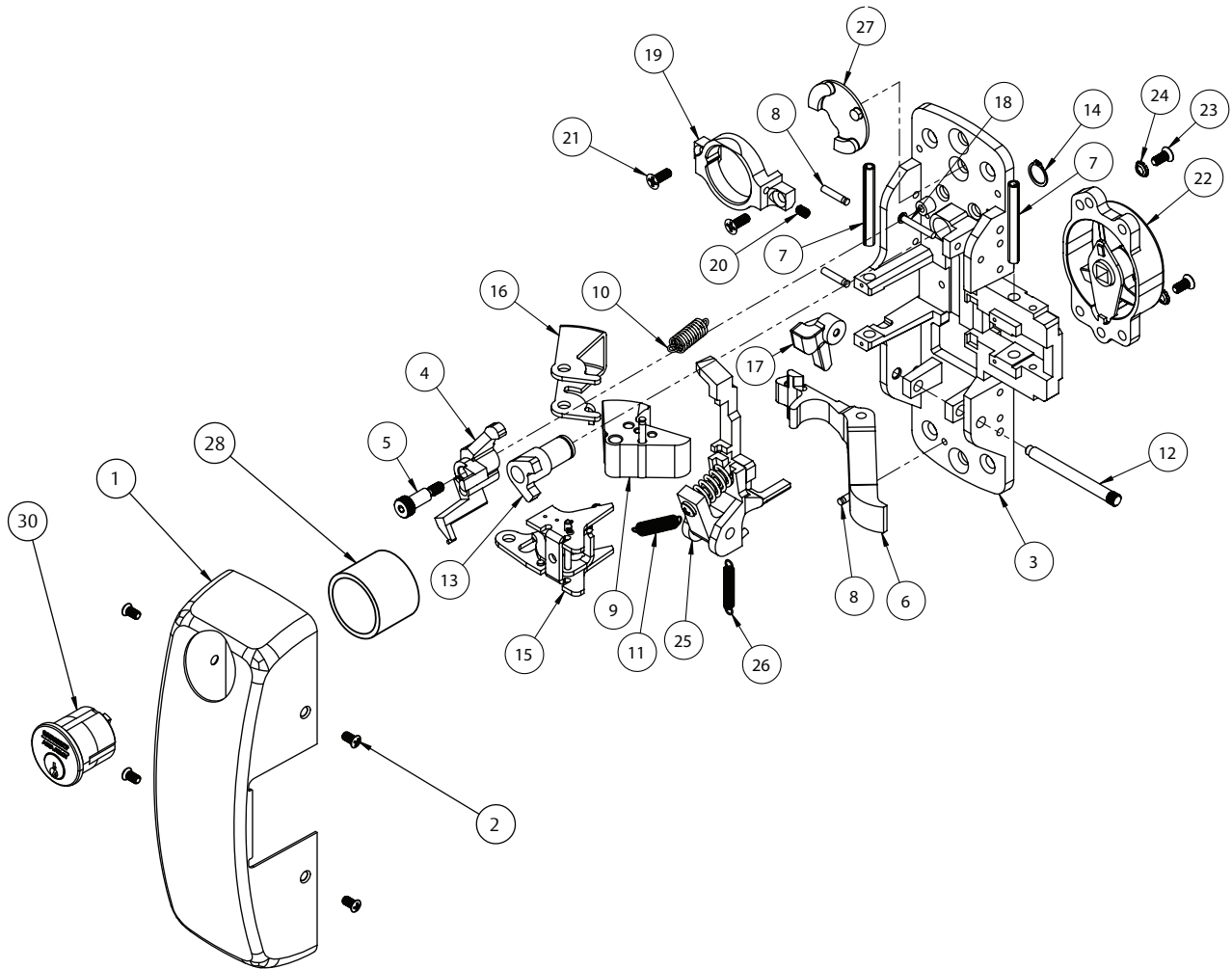
² Specify #44 cylinder by keying requirements

Continued on the next page.

AL-
12-AL-
GL-
12-GL-

PE8816

SARGENT
ASSA ABLOY



Experience a safer
and more open world

The warranty on SARGENT® products becomes void if the product is modified in any way, regardless of whether the modification causes or contributes to any alleged defect. If a SARGENT product is modified it may no longer meet industry certification and quality control standards applicable to the original product and is no longer a genuine SARGENT product.

Copyright © 2023, SARGENT Manufacturing Company. All rights reserved. Reproduction in whole or in part without the express written permission of SARGENT Manufacturing Company is prohibited.

A8373:1 05/23

Function	Assembly #	Description	Sellable
16	PE-2355 (LHRB)	Chassis Assembly	Yes
	PE-2356 (RHRB)		

Item	Assembly #	Part #	Description	Qty	Sellable
1	N/A	PE-0151	Chassis Cover (LHRB) ¹	1	Yes
		PE-0152	Chassis Cover (RHRB) ¹		
2		68-3908	Cover Screw Pack ¹		Yes
3		68-0940	Chassis (LHRB)	1	No
		68-0941	Chassis (RHRB)		
4		PE-2653	Locking Lever Subassembly (LHRB)	1	Yes
		PE-2654	Locking Lever Subassembly (RHRB)		
5		01-9700	Shoulder Screw	1	Yes
6		68-1137	Lift Arm	1	Yes
7		01-4512	Spirol Pin	2	Yes
8		01-0008	Groove Pin	2	Yes
9		68-4414	Latch Bolt Assembly	1	Yes
10		98-0028	Spring, Latch Bolt Return	1	Yes
11		68-0271	Pivot Pin, Knob Lever	1	Yes
12		98-0018	Outside Cylinder Hub	1	Yes
13		01-0005	Retaining Ring	2	Yes
14	See chart above	68-0237	Latch Bolt Lift Lever (LHRB)	1	Yes
		68-0238	Latch Bolt Lift Lever (RHRB)		
15		98-0011	Pivot Pin, Latch Bolt Lift Lever	1	Yes
16		98-0020	Inside Cylinder Support	1	Yes
17		01-1095	Set Screw #8-32 x 1/4 Cup Point	2	Yes
18		01-3384	Machine Screw, #8-32 X 7/16	2	Yes
19		68-7803	Knob Hub Subassembly	1	Yes
20		01-1146	Machine Screw, #8-32 X 3/8	2	Yes
21		01-0930	Countersunk Lock Washer	1	Yes
22		68-4236	Knob Lever (LHRB)	1	Yes
		68-4235	Knob Lever (RHRB)		
23		97-0050	Spring, Knob Return	1	Yes
24		PE-0389	Flag, 49- LHRB	1	Yes
		PE-0390	Flag, 49- RHRB		
25		PE-0391	Window, 49- LHRB	1	Yes
		PE-0392	Window, 49- RHRB		
26		PE-0395	Label, 49- Indicator Icon	1	Yes
27		52-1056	Machine Screw, #2-56 x 3/16	2	Yes
28		68-1929	Cylinder Cam Adapter	1	Yes
29		01-1482	Machine Screw #2-56 x 1/8	2	Yes
30	N/A	98-0021	Blocking Ring ¹	1	Yes
31		-	Cylinder ²	1	Yes
32		68-2143	Screw Pack	1	Yes
33		649	Strike Pack	1	Yes

¹ Specify Finish

² Specify #44 cylinder by keying requirements

Continued on the next page.

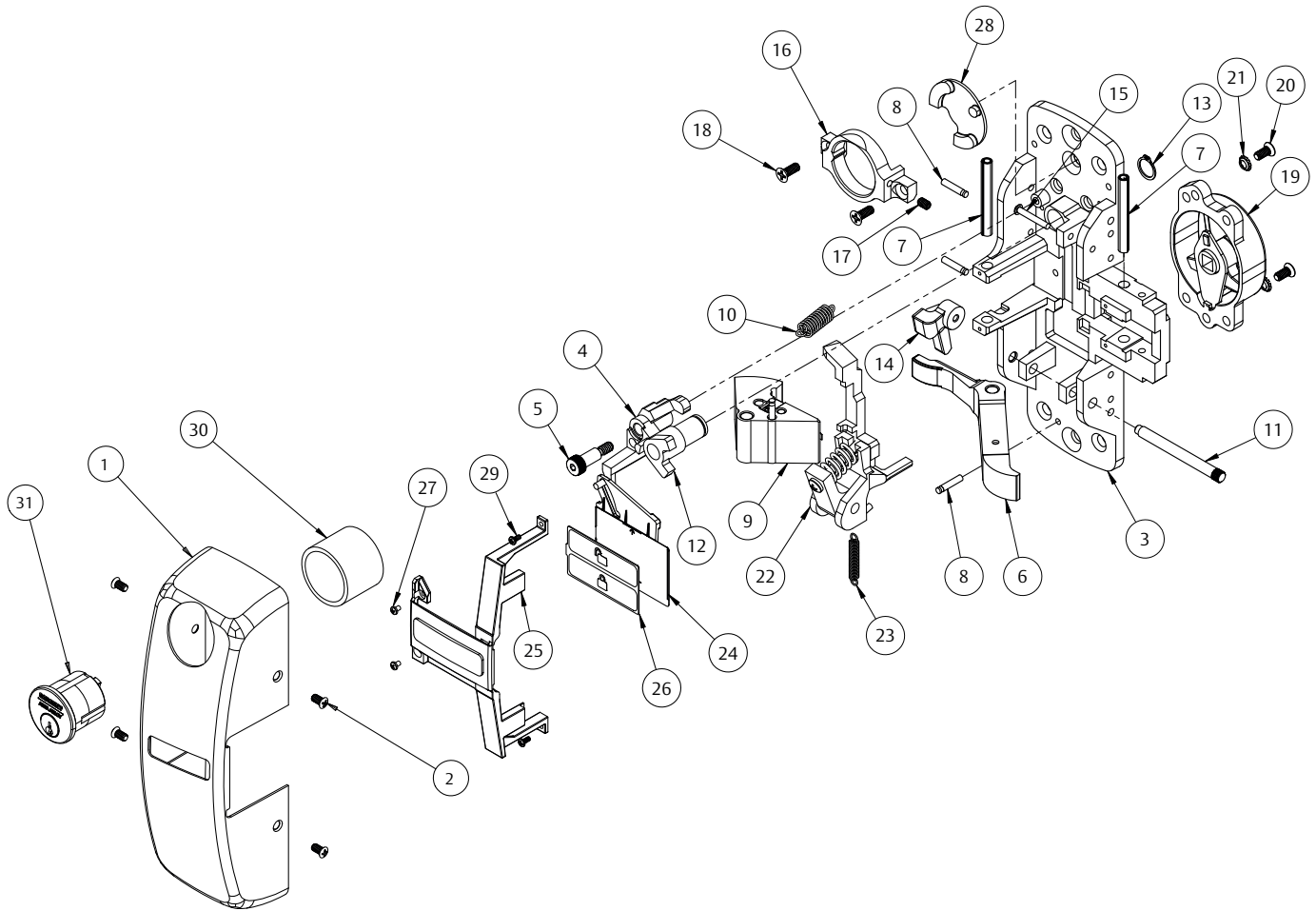
A8373-A 05/23

The warranty on SARGENT® products becomes void if the product is modified in any way, regardless of whether the modification causes or contributes to any alleged defect. If a SARGENT product is modified it may no longer meet industry certification and quality control standards applicable to the original product and is no longer a genuine SARGENT product.

49-
12-49-

PE8816

SARGENT
ASSA ABLOY



Experience a safer
and more open world

The warranty on SARGENT® products becomes void if the product is modified in any way, regardless of whether the modification causes or contributes to any alleged defect. If a SARGENT product is modified it may no longer meet industry certification and quality control standards applicable to the original product and is no longer a genuine SARGENT product.

Copyright © 2023, SARGENT Manufacturing Company. All rights reserved. Reproduction in whole or in part without the express written permission of SARGENT Manufacturing Company is prohibited.

A8373:1 05/23

49-
12-49-
AL-
12-AL-
GL-
12-GL-

PE8816

SARGENT®
ASSA ABLOY

Function	Assembly #	Description	Sellable
16	68-6287 (LHRB)	Chassis Assembly	Yes
	68-6288 (RHRB)		

Item	Assembly #	Part #	Description	Qty	Sellable
1	N/A	PE-0412	Chassis Cover (LHRB)*	1	Yes
		PE-0413	Chassis Cover (RHRB)*		
2		68-3908	Cover Screw Pack*		Yes
3		68-0940	Chassis (LHRB)	1	No
		68-0941	Chassis (RHRB)		
4		PE-2653	Locking Lever Subassembly (LHRB)	1	Yes
		PE-2653	Locking Lever Subassembly (RHRB)		
5		01-9700	Shoulder Screw	1	Yes
6		68-1353	Lift Arm	1	Yes
7		01-4512	Spirol Pin	2	Yes
8		01-0008	Groove Pin	2	Yes
9		68-4415	Latch Bolt Assembly, Guarded	1	Yes
10		98-0028	Spring, Latch Bolt Return	1	Yes
11		68-1394	Spring, Guarding	1	Yes
12		68-0271	Pivot Pin, Knob Lever	1	Yes
13		98-0018	Outside Cylinder Hub	3	Yes
14		01-0005	Retaining Ring	2	Yes
15		68-4417	Guard Bracket Assembly	1	Yes
16		68-1352	Guide, Guarding	1	Yes
17	See chart above	68-0237	Latch Bolt Lift Lever (LHRB)	1	Yes
		68-0238	Latch Bolt Lift Lever (RHRB)	1	Yes
18		98-0011	Pivot Pin, Latch Bolt Lift Lever	1	Yes
19		98-0020	Inside Cylinder Support	1	Yes
20		01-1095	Set Screw #8-32 x 1/4 Cup Point	2	Yes
21		01-3384	Machine Screw, #8-32 X 7/16	2	Yes
22		68-7803	Knob Hub Subassembly	1	Yes
23		01-1146	Machine Screw, #8-32 X 3/8	2	Yes
24		01-0930	Countersunk Lock Washer	1	Yes
25		68-4236	Knob Lever (LHRB)	1	Yes
		68-4235	Knob Lever (RHRB)		
26		97-0050	Spring, Knob Return	1	Yes
27		PE-0389	Flag, 49- LHRB	1	Yes
		PE-0390	Flag, 49- RHRB		
28		PE-0391	Window, 49- LHRB	1	Yes
		PE-0392	Window, 49- RHRB		
29		PE-0395	Label, 49- Indicator Icon	1	Yes
30		52-1056	Machine Screw, #2-56 x 3/16	1	Yes
31		68-1929	Cylinder Cam Adapter	1	Yes
32		01-1482	Machine Screw, #2-56 x 1/8	2	Yes
33	N/A	98-0021	Blocking Ring*	1	Yes
34		-	Cylinder ¹	1	Yes
35		68-2143	Screw Pack	1	Yes
36		649	Strike Pack	1	Yes

¹ Specify Finish

² Specify #44 cylinder by keying requirements

Continued on the next page.

A8373-A 05/23

The warranty on SARGENT® products becomes void if the product is modified in any way, regardless of whether the modification causes or contributes to any alleged defect. If a SARGENT product is modified it may no longer meet industry certification and quality control standards applicable to the original product and is no longer a genuine SARGENT product.

54

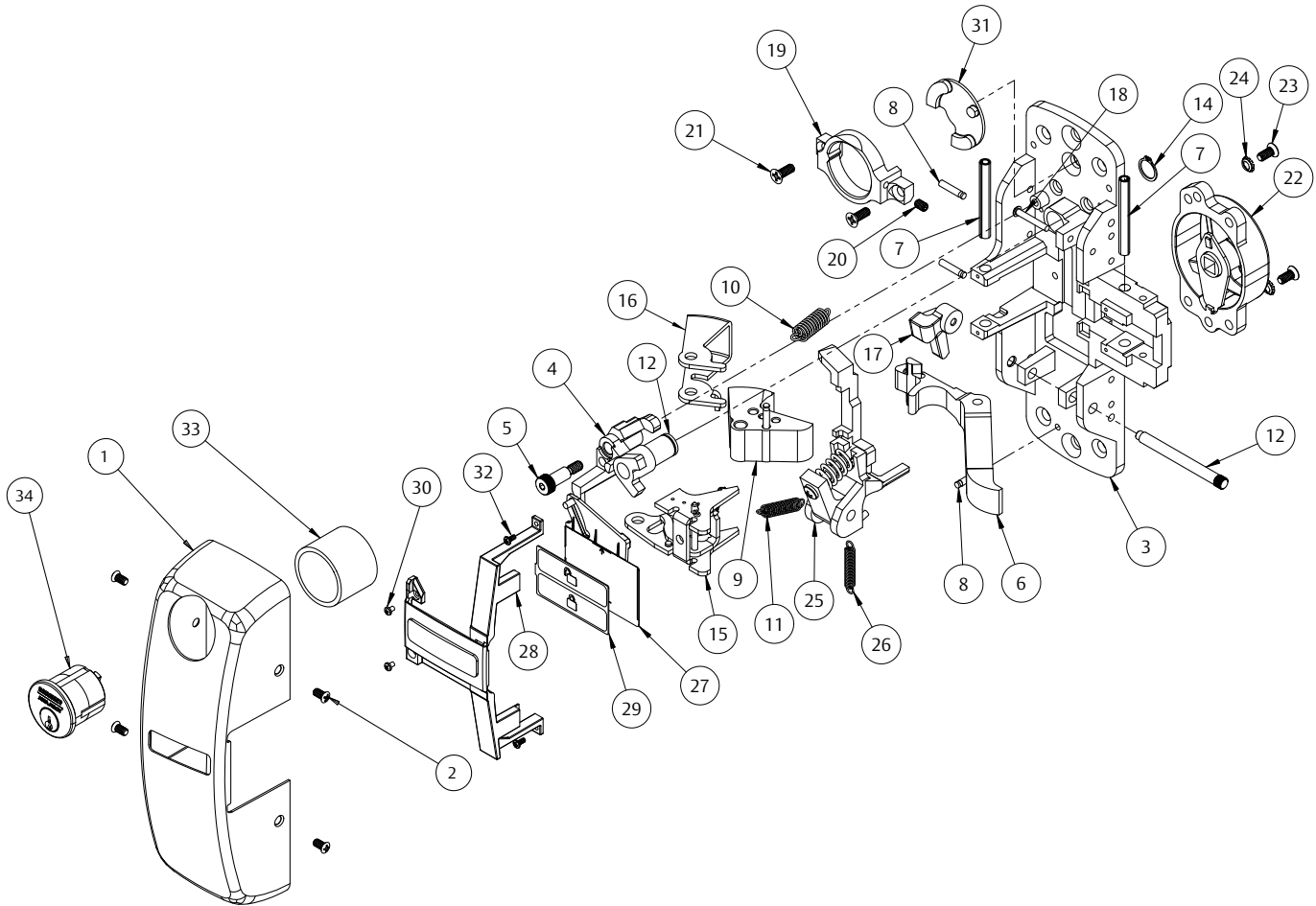
Copyright © 2023, SARGENT Manufacturing Company. All rights reserved. Reproduction in whole or in part without the express written permission of SARGENT Manufacturing Company is prohibited.

Experience a safer
and more open world

49-
12-49-
AL-
12-AL-
GL-
12-GL-

PE8816

SARGENT®
ASSA ABLOY



Experience a safer
and more open world

The warranty on SARGENT® products becomes void if the product is modified in any way, regardless of whether the modification causes or contributes to any alleged defect. If a SARGENT product is modified it may no longer meet industry certification and quality control standards applicable to the original product and is no longer a genuine SARGENT product.

Copyright © 2023, SARGENT Manufacturing Company. All rights reserved. Reproduction in whole or in part without the express written permission of SARGENT Manufacturing Company is prohibited.

55

A8373:1 05/23

53-
12-53-
59-
12-59-

PE8816

SARGENT®
ASSA ABLOY

Function	Assembly #	Description	Sellable
(12-) 53- PE8816	68-3722 (LHRB)	Chassis Assembly	Yes
	68-3723 (RHRB)		
(12-) 59- PE8816	PE-2319 (LHRB)	Chassis Assembly	Yes
	PE-2320 (RHRB)		

Item	Assembly #	Part #	Description	Qty	Sellable
1	N/A	PE-0410	Chassis Cover (LHRB) ¹	1	Yes
		PE-0411	Chassis Cover (RHRB) ¹		
2		68-3908	Cover Screw Pack ¹	1	Yes
3		68-0940	Chassis (LHRB)	1	No
		68-0941	Chassis (RHRB)		
4		68-7802	Locking Lever Subassembly (LHRB)	1	Yes
		68-8613	Locking Lever Subassembly (RHRB)		
5		01-9700	Shoulder Screw	1	Yes
6		68-1353	Lift Arm	1	Yes
7		01-4512	Spirol Pin	2	Yes
8		01-0008	Groove Pin	2	Yes
9		68-4415	Latch Bolt Assembly	1	Yes
10		98-0028	Spring, Latch Bolt Return	1	Yes
11		68-1394	Spring, Guarding	1	Yes
12		68-0271	Pivot Pin, Knob Lever	1	Yes
13		98-0018	Outside Cylinder Hub	1	Yes
14		01-0005	Retaining Ring	2	Yes
15		68-4418	Guard Bracket & Switch Assembly	1	Yes
16	See chart above	68-1352	Guide, Guarding	1	Yes
17		68-0237	Latch Bolt Lift Lever (LHRB)	1	Yes
		68-0238	Latch Bolt Lift Lever (RHRB)		
18		98-0011	Pivot Pin, Latch Bolt Lift Lever	1	Yes
19		98-0020	Inside Cylinder Support	1	Yes
20		01-1095	Set Screw #8-32 x 1/4 Cup Point	2	Yes
21		01-3384	Machine Screw, #8-32 X 7/16	2	Yes
22		68-7803	Knob Hub Subassembly	1	Yes
23		01-1146	Machine Screw, #8-32 X 3/8	2	Yes
24		01-0930	Countersunk Lock Washer	1	Yes
25		68-4236	Knob Lever (LHRB)	1	Yes
		68-4235	Knob Lever (RHRB)		
26		97-0050	Spring, Knob Return	1	Yes
27		68-1929	Cylinder Cam Adapter	1	Yes
28		52-0310	Cable Clamp	1	Yes
29		01-1482	Machine Screw, #2-56 x 1/8		Yes
30	N/A	98-0021	Blocking Ring*	1	Yes
31		68-2143	Screw Pack	1	Yes
32		-	Cylinder ^{1*}	1	Yes
33		649	Strike Pack	1	Yes

¹ Specify Finish

² Specify #44 cylinder by keying requirements

Continued on the next page.

A8373-A 05/23

The warranty on SARGENT® products becomes void if the product is modified in any way, regardless of whether the modification causes or contributes to any alleged defect. If a SARGENT product is modified it may no longer meet industry certification and quality control standards applicable to the original product and is no longer a genuine SARGENT product.

Copyright © 2023, SARGENT Manufacturing Company. All rights reserved. Reproduction in whole or in part without the express written permission of SARGENT Manufacturing Company is prohibited.

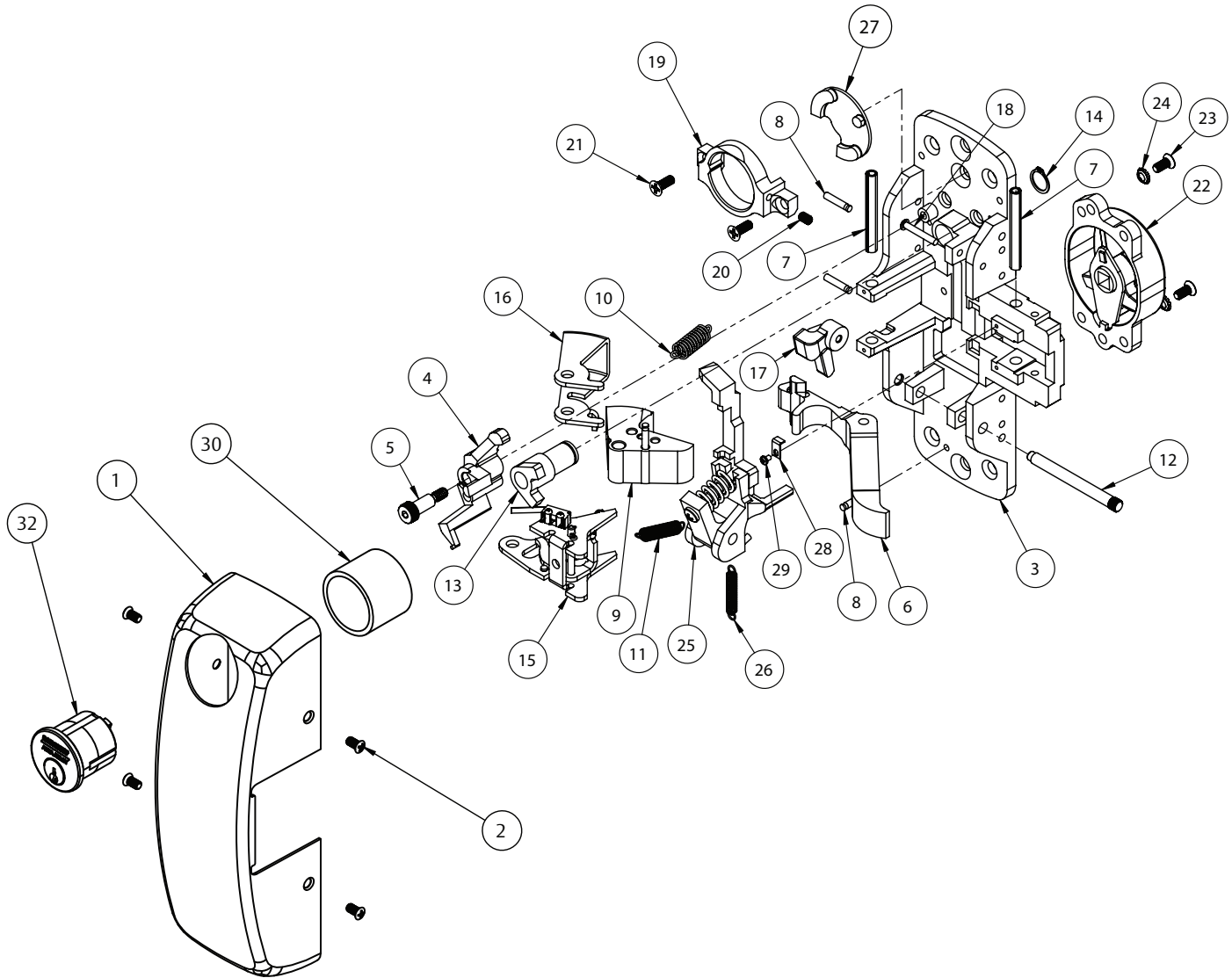
56

Experience a safer
and more open world

53-
12-53-
59-
12-59-

PE8816

SARGENT
ASSA ABLOY



Experience a safer
and more open world

The warranty on SARGENT® products becomes void if the product is modified in any way, regardless of whether the modification causes or contributes to any alleged defect. If a SARGENT product is modified it may no longer meet industry certification and quality control standards applicable to the original product and is no longer a genuine SARGENT product.

Copyright © 2023, SARGENT Manufacturing Company. All rights reserved. Reproduction in whole or in part without the express written permission of SARGENT Manufacturing Company is prohibited.

A8373:1 05/23

Function	Assembly #	Description	Sellable
16	68-7512 (LHRB)	Chassis Assembly	Yes
	68-7513 (RHRB)		

Item	Assembly #	Part #	Description	Qty	Sellable
1	N/A	PE-0147	Chassis Cover (LHRB) ¹	1	Yes
		PE-0148	Chassis Cover (RHRB) ¹		
2		68-3908	Cover Screw Pack ¹	1	Yes
3		68-0940	Chassis (LHRB)	1	No
		68-0941	Chassis (RHRB)		
4	See chart above	68-7802	Locking Lever Subassembly (LHRB)	1	Yes
		68-8613	Locking Lever Subassembly (RHRB)		
5		01-9700	Shoulder Screw	1	Yes
6		68-1137	Lift Arm	1	Yes
7		01-4512	Spirol Pin	2	Yes
8		01-0008	Groove Pin	2	Yes
9		68-4414	Latch Bolt Assembly	1	Yes
10		68-1831	Spring, Latch Bolt Return	1	Yes
11		68-0271	Pivot Pin, Knob Lever	1	Yes
12		98-0018	Outside Cylinder Hub	3	Yes
13		01-0005	Retaining Ring	2	Yes
14		68-0237	Latch Bolt Lift Lever (LHRB)	1	Yes
		68-0238	Latch Bolt Lift Lever (RHRB)		
15		98-0011	Pivot Pin, Latch Bolt Lift Lever	1	Yes
16		98-0020	Inside Cylinder Support	1	Yes
17		01-1095	Set Screw #8-32 x 1/4 Cup Point	2	Yes
18		01-3384	Machine Screw, #8-32 X 7/16	2	Yes
19		68-7803	Knob Hub Subassembly	1	Yes
20		01-1146	Machine Screw, #8-32 X 3/8	2	Yes
21		01-0930	Countersunk Lock Washer	1	Yes
22		68-4236	Knob Lever (LHRB)	1	Yes
		68-4235	Knob Lever (RHRB)		
23		97-0050	Spring, Knob Return	1	Yes
24		68-1929	Cylinder Cam Adapter	1	Yes
25		98-0021	Blocking Ring ¹	1	Yes
26	68-2143	Screw Pack	1	Yes	
27	-	Cylinder ^{1,2}		Yes	
28	649	Strike Pack		Yes	

¹ Specify Finish

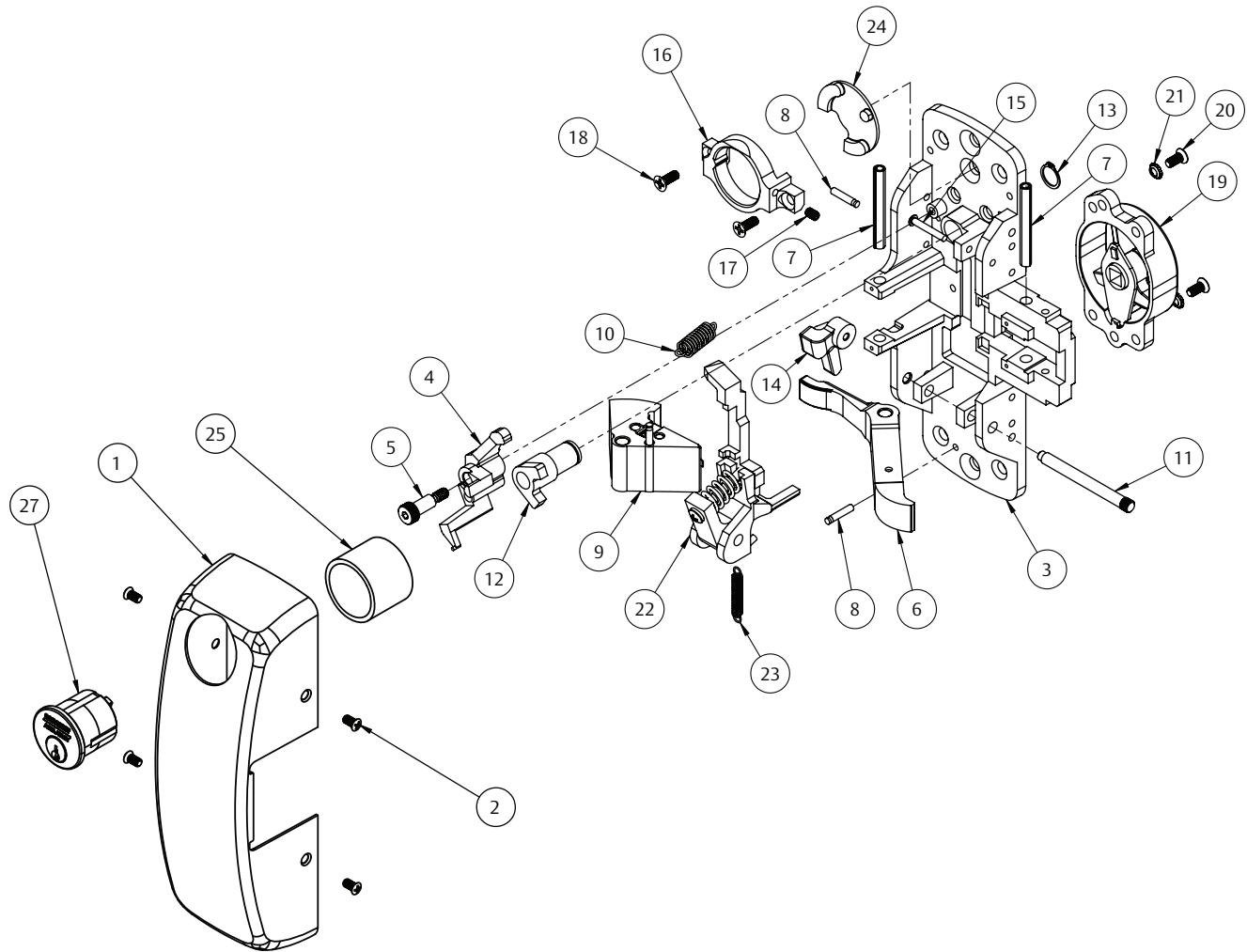
² Specify #44 cylinder by keying requirements

Continued on the next page.

5CH-
12-5CH-

PE8816

SARGENT
ASSA ABLOY



Experience a safer
and more open world

The warranty on SARGENT® products becomes void if the product is modified in any way, regardless of whether the modification causes or contributes to any alleged defect. If a SARGENT product is modified it may no longer meet industry certification and quality control standards applicable to the original product and is no longer a genuine SARGENT product.

Copyright © 2023, SARGENT Manufacturing Company. All rights reserved. Reproduction in whole or in part without the express written permission of SARGENT Manufacturing Company is prohibited.

A8373:1 05/23

5CH-
12-5CH-
5CH-53-
12-5CH-53-
53-
12-53-

PE8816

SARGENT®
ASSA ABLOY

Function	Assembly #	Description	Sellable
16	68-7965 (LHRB)	Chassis Assembly	Yes
	68-7966 (RHRB)		

Item	Assembly #	Part #	Description	Qty	Sellable
1	N/A	PE-0410	Chassis Cover (LHRB) ¹	1	Yes
		PE-0411	Chassis Cover (RHRB) ¹		
2		68-3908	Cover Screw Pack ¹	1	Yes
3		68-0940	Chassis (LHRB)	1	No
		68-0941	Chassis (RHRB)		
4		68-7802	Locking Lever Subassembly (LHRB)	1	Yes
		68-8613	Locking Lever Subassembly (RHRB)		
5		01-9700	Shoulder Screw	1	Yes
6		68-1353	Lift Arm	1	Yes
7		01-4512	Spirol Pin	2	Yes
8		01-0008	Groove Pin	2	Yes
9		68-4415	Latch Bolt Assembly	1	Yes
10		68-1831	Spring, Latch Bolt Return	1	Yes
11		68-1394	Spring, Guarding	1	Yes
12		68-0271	Pivot Pin, Knob Lever	1	Yes
13		98-0018	Outside Cylinder Hub	3	Yes
14		01-0005	Retaining Ring	2	Yes
15		68-4418	Guard Bracket & Switch Assembly	1	Yes
16	See chart above	68-1352	Guide, Guarding	1	Yes
17		68-0237	Latch Bolt Lift Lever (LHRB)	1	Yes
		68-0238	Latch Bolt Lift Lever (RHRB)		
18		98-0011	Pivot Pin, Latch Bolt Lift Lever	1	Yes
19		98-0020	Inside Cylinder Support	1	Yes
20		01-1095	Set Screw #8-32 x 1/4 Cup Point	2	Yes
21		01-3384	Machine Screw, #8-32 X 7/16	2	Yes
22		68-7803	Knob Hub Subassembly	1	Yes
23		01-1146	Machine Screw, #8-32 X 3/8	2	Yes
24		01-0930	Countersunk Lock Washer	1	Yes
25		68-4236	Knob Lever (LHRB)	1	Yes
		68-4235	Knob Lever (RHRB)		
26		97-0050	Spring, Knob Return	1	Yes
27		68-1929	Cylinder Cam Adapter	1	Yes
28		52-0310	Cable Clamp	1	Yes
29		01-1482	Machine Screw, #2-56 x 1/8	1	Yes
30		98-0021	Blocking Ring*	1	Yes
31	N/A	68-2143	Screw Pack	1	Yes
32		-	Cylinder ^{1,2}	1	Yes
33		649	Strike Pack	1	Yes

¹ Specify Finish

² Specify #44 cylinder by keying requirements

Continued on the next page.

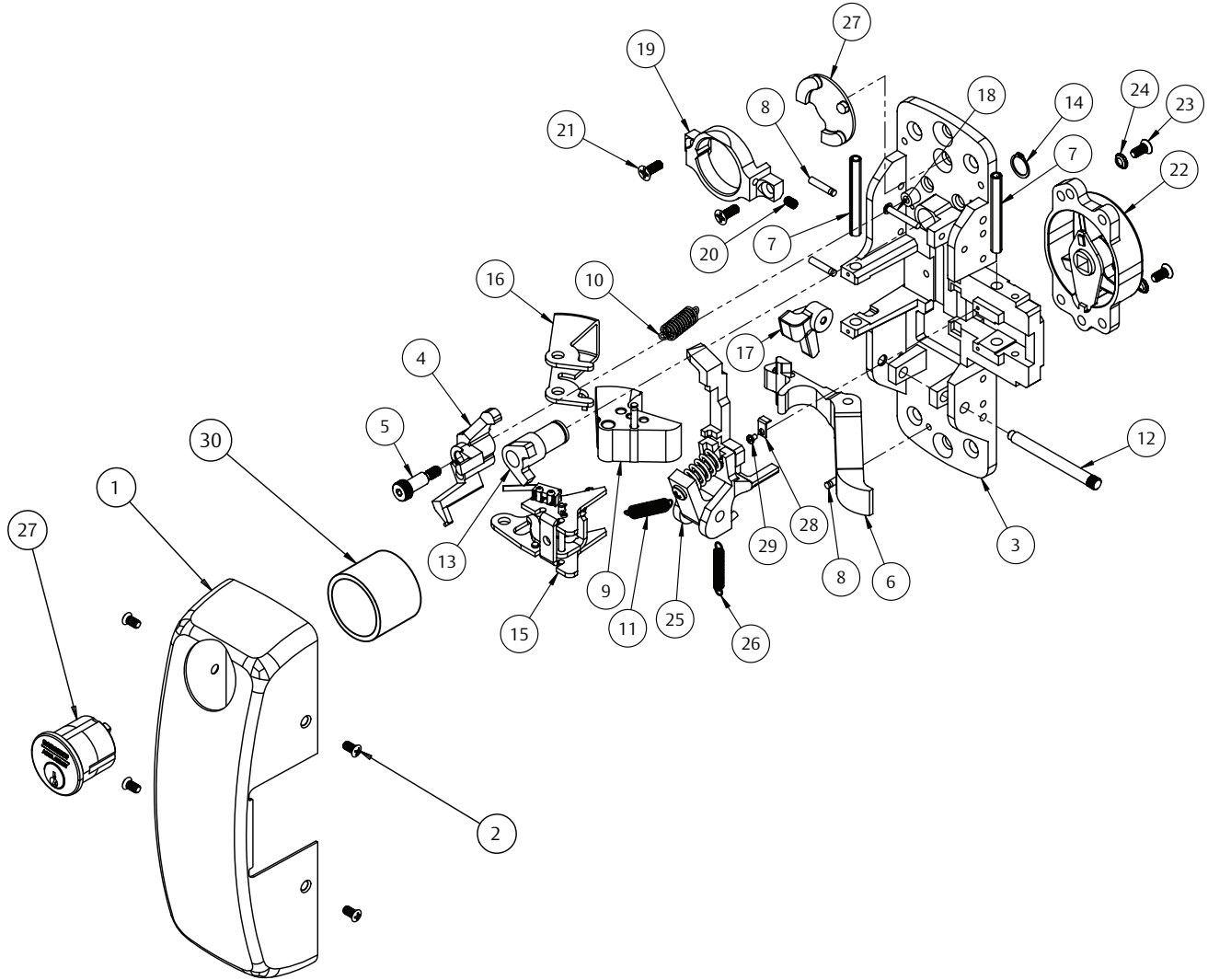
A8373-A 05/23

The warranty on SARGENT® products becomes void if the product is modified in any way, regardless of whether the modification causes or contributes to any alleged defect. If a SARGENT product is modified it may no longer meet industry certification and quality control standards applicable to the original product and is no longer a genuine SARGENT product.

5CH-
 12-5CH-
 5CH-53-
 12-5CH-53-
 53-
 12-53-

PE8816

SARGENT
ASSA ABLOY



Experience a safer
 and more open world

The warranty on SARGENT® products becomes void if the product is modified in any way, regardless of whether the modification causes or contributes to any alleged defect. If a SARGENT product is modified it may no longer meet industry certification and quality control standards applicable to the original product and is no longer a genuine SARGENT product.

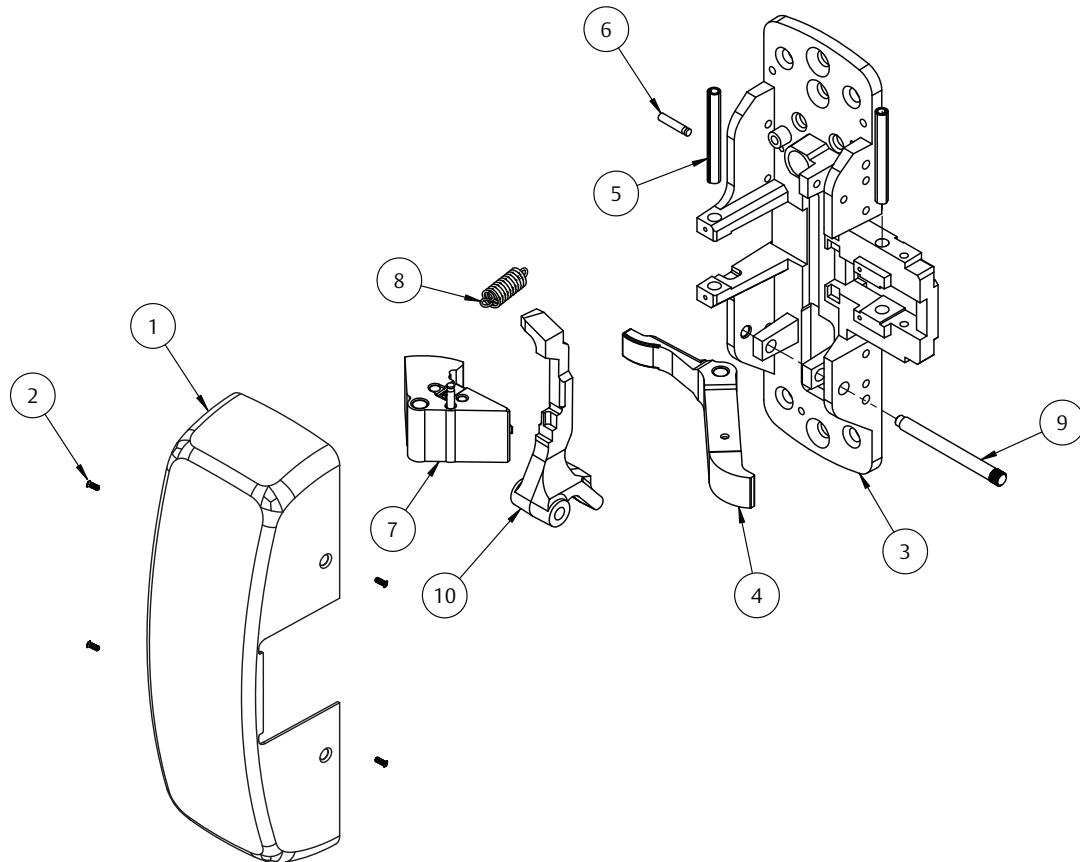
Copyright © 2023, SARGENT Manufacturing Company. All rights reserved. Reproduction in whole or in part without the express written permission of SARGENT Manufacturing Company is prohibited.

A8373:1 05/23

Option	Assembly #	Description	Sellable
28	68-2329 (LHRB)	Chassis Assembly	Yes
	68-2330 (RHRB)		

Item	Assembly #	Part #	Description	Qty.	Sellable
1	N/A	PE-0145	Chassis Cove ¹	1	Yes
2		68-3908	Cover Screw Pack ¹	1	Yes
3	See chart above	68-0937	Chassis (LHRB)	1	No
		68-0938	Chassis (RHRB)		
4		68-1137	Lift Arm	1	Yes
5		01-4512	Spirol Pin	2	Yes
6		01-0008	Groove Pin	2	Yes
7		68-4414	Latch Bolt Assembly	1	Yes
8		68-0028	Spring, Latch Bolt Return	1	Yes
9		68-0271	Pivot Pin, Thumb Piece Lever		
10		68-0260	Thumb Piece Lever	2	Yes
		68-0261	Thumb Piece Lever	1	Yes
11		68-2143	Screw Pack	1	Yes
12		649	Strike Pack	1	Yes

¹ Specify Finish



A8373-A 05/23

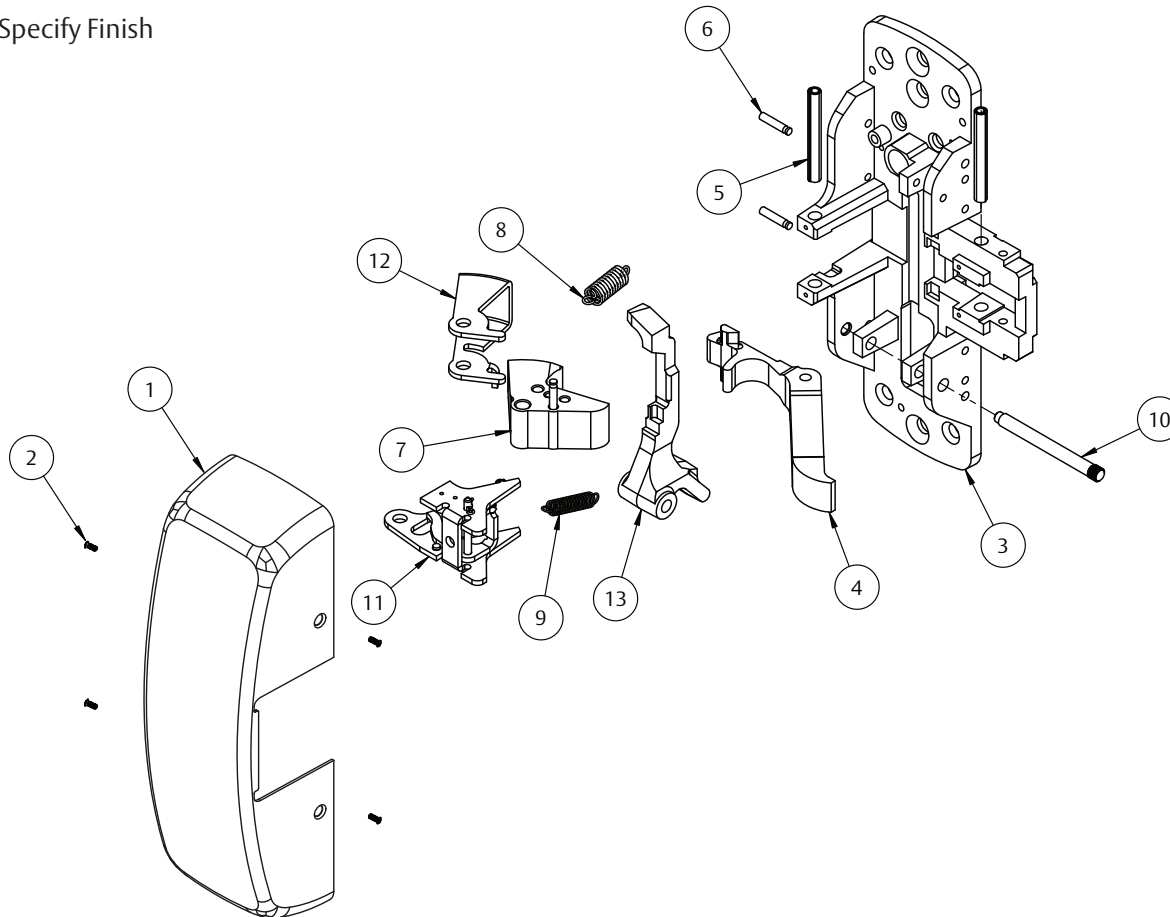
The warranty on SARGENT® products becomes void if the product is modified in any way, regardless of whether the modification causes or contributes to any alleged defect. If a SARGENT product is modified it may no longer meet industry certification and quality control standards applicable to the original product and is no longer a genuine SARGENT product.

AL- PE8828
 12-AL-
 GL-
 12-GL-

Option	Assembly #	Description	Sellable
(12-) AL- (12-) GL-	68-4082 (LHRB) 68-4083 (RHRB)	Chassis Assembly	Yes

Item	Assembly #	Part #	Description	Qty.	Sellable
1	N/A	PE-0409	Chassis Cover ¹	1	Yes
2		68-3908	Cover Screw Pack ¹	1	Yes
3	See chart above	68-0937	Chassis (LHRB)	1	No
		68-0938	Chassis (RHRB)		
4		68-1353	Lift Arm	1	Yes
5		01-4512	Spirol Pin	2	Yes
6		01-0008	Groove Pin	2	Yes
7		68-4415	Latch Bolt Assembly	1	Yes
8		68-0028	Spring, Latch Bolt Return	1	Yes
9		68-1394	Spring, Guarding		
10		68-0271	Pivot Pin, Thumb Piece Lever	1	Yes
11		68-4417	Guard Bracket Assembly	1	Yes
12		68-1352	Guide, Guarding	1	Yes
13		68-0260	Thumb Piece Lever (LHRB)	1	Yes
		68-0261	Thumb Piece Lever (RHRB)		
14		68-2143	Screw Pack	1	Yes
15		649	Strike Pack	1	Yes

¹ Specify Finish



Experience a safer
 and more open world

The warranty on SARGENT® products becomes void if the product is modified in any way, regardless of whether the modification causes or contributes to any alleged defect. If a SARGENT product is modified it may no longer meet industry certification and quality control standards applicable to the original product and is no longer a genuine SARGENT product.

Copyright © 2023, SARGENT Manufacturing Company. All rights reserved. Reproduction in whole or in part without the express written permission of SARGENT Manufacturing Company is prohibited.

53-
12-53-
59-
12-59-

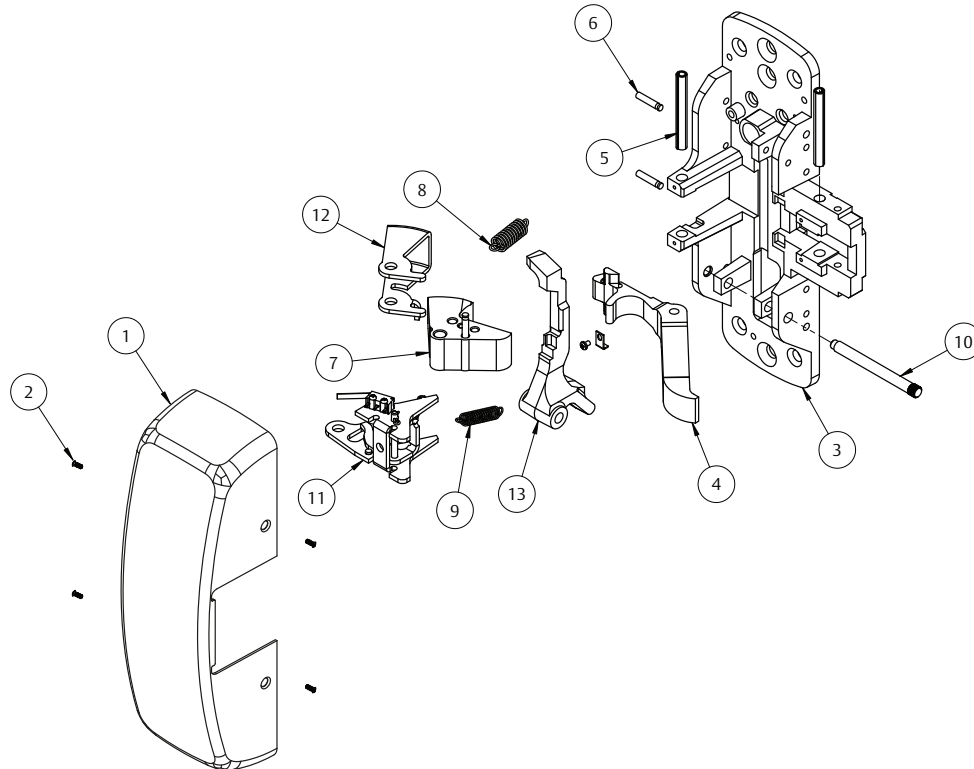
PE8828

SARGENT®
ASSA ABLOY

Function	Assembly #	Description	Sellable
53- 12-53-	68-3835 (LHRB)	Chassis Assembly	Yes
	68-3836 (RHRB)		
59- 12-59-	PE-2313 (LHRB)		
	PE-2314 (RHRB)		

Item	Assembly #	Part #	Description	Qty.	Sellable
1	N/A	PE-0409	Chassis Cover ¹	1	Yes
2		68-3908	Cover Screw Pack ¹	1	Yes
3	See chart above	68-0937	Chassis (LHRB)	1	No
		68-0938	Chassis (RHRB)		
4		68-1353	Lift Arm	1	Yes
5		01-4512	Spirol Pin	2	Yes
6		01-0008	Groove Pin	2	Yes
7		68-4415	Latch Bolt Assembly	1	Yes
8		68-0028	Spring, Latch Bolt Return	1	Yes
9		68-1394	Spring, Guarding		
10		68-0271	Pivot Pin, Thumb Piece Lever	1	Yes
11		68-4418	Guard Bracket & Switch Assembly	1	Yes
12		68-1352	Guide, Guarding	1	Yes
13		68-0260	Thumb Piece Lever (LHRB)	1	Yes
			68-0261		
14		52-0310	Cable Clamp	1	Yes
15		01-1482	Machine Screw, #2-56 x 1/8	1	Yes
16		68-2143	Screw Pack	1	Yes
17		649	Strike Pack	1	Yes

¹ Specify Finish



A8373-A 05/23

The warranty on SARGENT® products becomes void if the product is modified in any way, regardless of whether the modification causes or contributes to any alleged defect. If a SARGENT product is modified it may no longer meet industry certification and quality control standards applicable to the original product and is no longer a genuine SARGENT product.

64

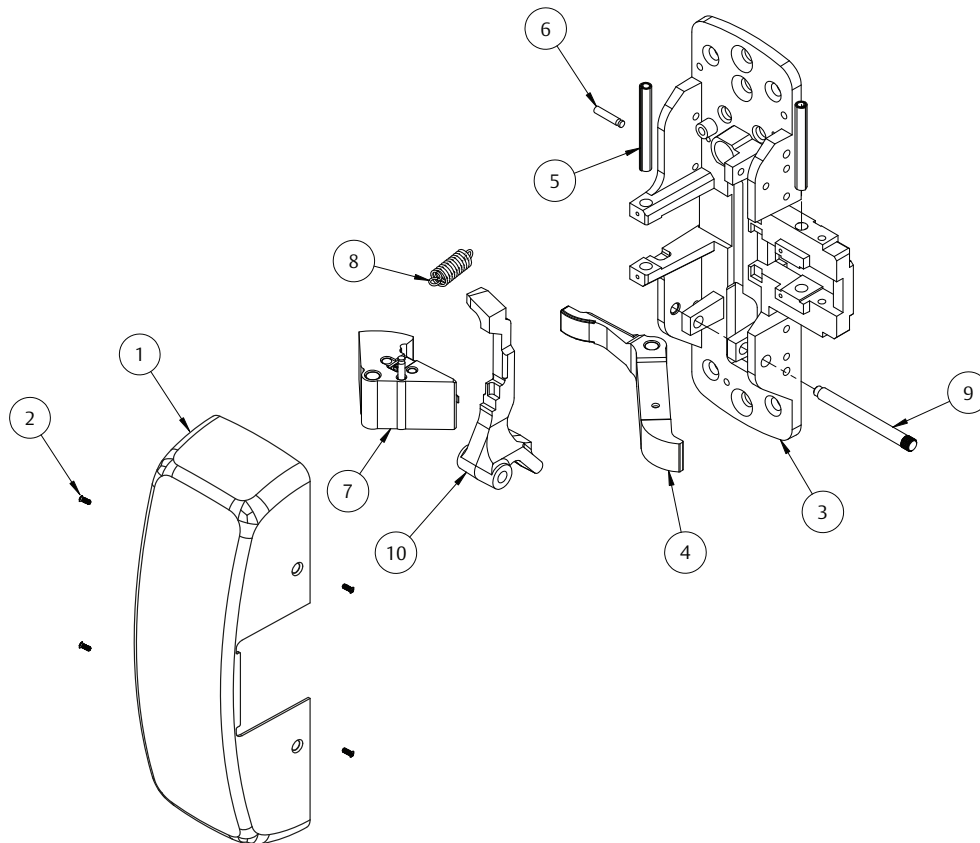
Copyright © 2023, SARGENT Manufacturing Company. All rights reserved. Reproduction in whole or in part without the express written permission of SARGENT Manufacturing Company is prohibited.

Experience a safer
and more open world

Function	Assembly #	Description	Sellable
28	68-7514 (LHRB)	Chassis Assembly	Yes
	68-7515 (RHRB)		

Item	Assembly #	Part #	Description	Qty.	Sellable
1	N/A	PE-0145	Chassis Cover ¹	1	Yes
2		68-3908	Cover Screw Pack ¹	1	Yes
3	See chart above	68-0937	Chassis (LHRB)	1	No
		68-0938	Chassis (RHRB)		
4		68-1137	Lift Arm	1	Yes
5		01-4512	Spirol Pin	2	Yes
6		01-0008	Groove Pin	2	Yes
7		68-4414	Latch Bolt Assembly	1	Yes
8		68-1831	Spring, Latch Bolt Return	1	Yes
9		68-0271	Pivot Pin, Thumb Piece Lever		
10		68-0260	Thumb Piece Lever	2	Yes
		68-0261	Thumb Piece Lever	1	Yes
11		68-2143	Screw Pack	1	Yes
12		649	Strike Pack	1	Yes

¹ Specify Finish



Experience a safer
and more open world

The warranty on SARGENT® products becomes void if the product is modified in any way, regardless of whether the modification causes or contributes to any alleged defect. If a SARGENT product is modified it may no longer meet industry certification and quality control standards applicable to the original product and is no longer a genuine SARGENT product.

Copyright © 2023, SARGENT Manufacturing Company. All rights reserved. Reproduction in whole or in part without the express written permission of SARGENT Manufacturing Company is prohibited.

5CH-
12-5CH-
53-
12-53-
5CH-53-
12-5CH-53-

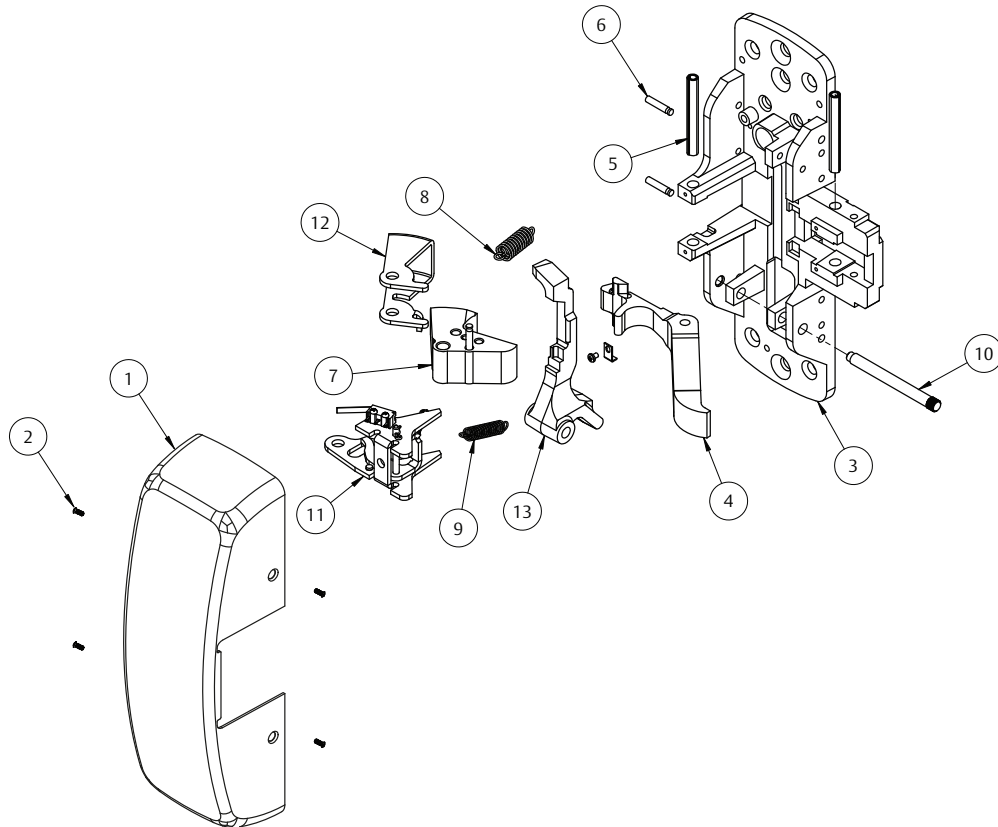
PE8828

SARGENT®
ASSA ABLOY

Function	Assembly #	Description	Sellable
28	68-7971 (LHRB)	Chassis Assembly	Yes
	68-7972 (RHRB)		

Item	Assembly #	Part #	Description	Qty	Sellable
1	N/A	PE-0409	Chassis Cover ¹	1	Yes
2		68-3908	Cover Screw Pack ¹	1	Yes
3	See chart above	68-0937	Chassis (LHRB)	1	No
		68-0938	Chassis (RHRB)		
4		68-1353	Lift Arm	1	Yes
5		01-4512	Spirol Pin	2	Yes
6		01-0008	Groove Pin	2	Yes
7		68-4415	Latch Bolt Assembly	1	Yes
8		68-1831	Spring, Latch Bolt Return	1	Yes
9		68-1394	Spring, Guarding		
10		68-0271	Pivot Pin, Thumb Piece Lever	1	Yes
11		68-4418	Guard Bracket & Switch Assembly	1	Yes
12		68-1352	Guide, Guarding	1	Yes
13		68-0260	Thumb Piece Lever (LHRB)	1	Yes
		68-0261	Thumb Piece Lever (RHRB)		
14		52-0310	Cable Clamp	1	Yes
15		01-1482	Machine Screw, #2-56 x 1/8	1	Yes
16		68-2143	Screw Pack	1	Yes
17		649	Strike Pack	1	Yes

¹ Specify Finish



A8373-A 05/23

The warranty on SARGENT® products becomes void if the product is modified in any way, regardless of whether the modification causes or contributes to any alleged defect. If a SARGENT product is modified it may no longer meet industry certification and quality control standards applicable to the original product and is no longer a genuine SARGENT product.

66

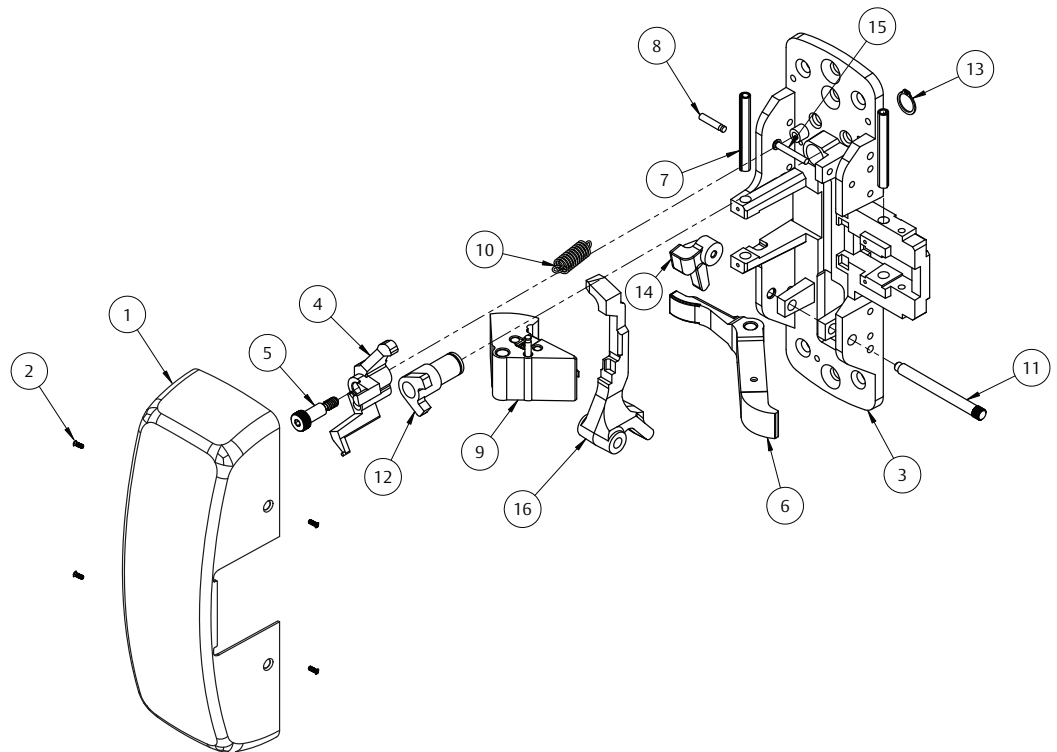
Copyright © 2023, SARGENT Manufacturing Company. All rights reserved. Reproduction in whole or in part without the express written permission of SARGENT Manufacturing Company is prohibited.

Experience a safer
and more open world

Option	Assembly #	Description	Sellable
63	68-2326 (LHRB)	Chassis Assembly	Yes
	68-2327 (RHRB)		

Item	Assembly #	Part No.	Description	Qty	Sellable
1	N/A	PE-0145	Chassis Cover ¹	1	Yes
2		68-3908	Cover Screw Pack ¹	1	Yes
3	See chart above	68-0937	Chassis (LHRB)	1	No
		68-0938	Chassis (RHRB)		
4		68-7802	Locking Lever Subassembly (LHRB)	1	Yes
		68-8613	Locking Lever Subassembly (RHRB)		
5		01-9700	Shoulder Screw	1	Yes
6		68-1137	Lift Arm	1	Yes
7		01-4512	Spirol Pin	2	Yes
8		01-0008	Groove Pin	2	Yes
9		68-4414	Latch Bolt Assembly	1	Yes
10		98-0028	Spring, Latch Bolt Return	1	Yes
11		68-0271	Pivot Pin, Thumb Piece Lever		
12		98-0018	Outside Cylinder Hub	1	Yes
13		01-0005	Retaining Ring	1	Yes
14		68-0237	Latch Bolt Lift Lever (LHRB)	1	Yes
		68-0238	Latch Bolt Lift Lever (RHRB)	1	Yes
15		98-0011	Pivot Pin, Latch Bolt Lift Lever	1	Yes
16		68-0260	Thumb Piece Lever (LHRB)	1	Yes
		68-0261	Thumb Piece Lever (RHRB)	1	Yes
17		68-2143	Screw Pack	1	Yes
18		649	Strike Pack	1	Yes

¹ Specify Finish



The warranty on SARGENT® products becomes void if the product is modified in any way, regardless of whether the modification causes or contributes to any alleged defect. If a SARGENT product is modified it may no longer meet industry certification and quality control standards applicable to the original product and is no longer a genuine SARGENT product.

Copyright © 2023, SARGENT Manufacturing Company. All rights reserved. Reproduction in whole or in part without the express written permission of SARGENT Manufacturing Company is prohibited.

53-
12-53-
59-
12-59-

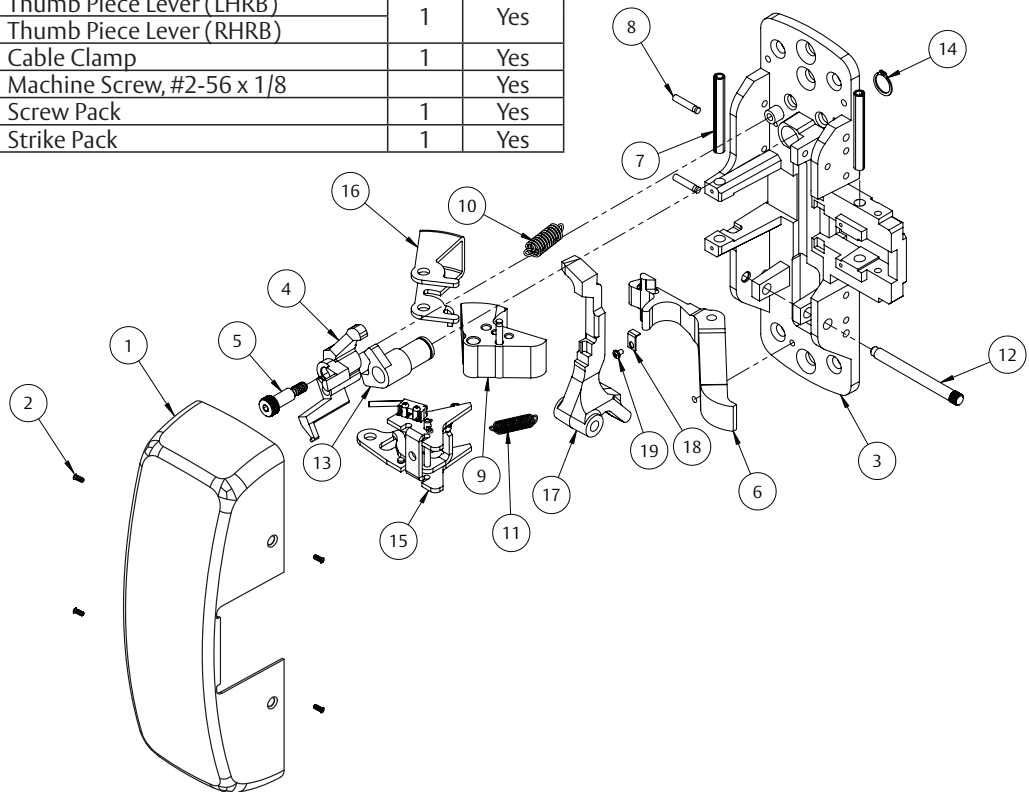
PE8863

SARGENT®
ASSA ABLOY

Option	Assembly #	Description	Sellable
53- 12-53-	68-3727 (LHRB)	Chassis Assembly	Yes
	68-3728 (RHRB)		
59- 12-59-	PE-2317 (LHRB)		
	12-59-		

Item	Assembly #	Part #	Description	Qty	Sellable
1	N/A	PE-0409	Chassis Cover ¹	1	Yes
2		68-3908	Cover Screw Pack ¹	1	Yes
3	See chart above	68-0937	Chassis (LHRB)	1	No
		68-0938	Chassis (RHRB)		
4		68-7802	Locking Lever Subassembly (LHRB)	1	Yes
		68-8613	Locking Lever Subassembly (RHRB)		
5		01-9700	Shoulder Screw	1	Yes
6		68-1353	Lift Arm	1	Yes
7		01-4512	Spirol Pin	2	Yes
8		01-0008	Groove Pin	2	Yes
9		68-4415	Latch Bolt Assembly, Guarded	1	Yes
10		98-0028	Spring, Latch Bolt Return	1	Yes
11		68-1394	Spring, Guarding	1	Yes
12		68-0271	Pivot Pin, Thumb Piece Lever	1	Yes
13		98-0018	Outside Cylinder Hub	1	Yes
14		01-0005	Retaining Ring	1	Yes
		68-0237	Latch Bolt Lift Lever (LHRB)	1	Yes
15		68-0238	Latch Bolt Lift Lever (RHRB)	1	Yes
16		98-0011	Pivot Pin, Latch Bolt Lift Lever	1	Yes
17		68-0260	Thumb Piece Lever (LHRB)	1	Yes
		68-0261	Thumb Piece Lever (RHRB)		
18		52-0310	Cable Clamp	1	Yes
19	01-1482	Machine Screw, #2-56 x 1/8		Yes	
20	68-2143	Screw Pack	1	Yes	
21	649	Strike Pack	1	Yes	

¹ Specify Finish



A8373-A 05/23

The warranty on SARGENT® products becomes void if the product is modified in any way, regardless of whether the modification causes or contributes to any alleged defect. If a SARGENT product is modified it may no longer meet industry certification and quality control standards applicable to the original product and is no longer a genuine SARGENT product.

68

Copyright © 2023, SARGENT Manufacturing Company. All rights reserved. Reproduction in whole or in part without the express written permission of SARGENT Manufacturing Company is prohibited.

Experience a safer
and more open world

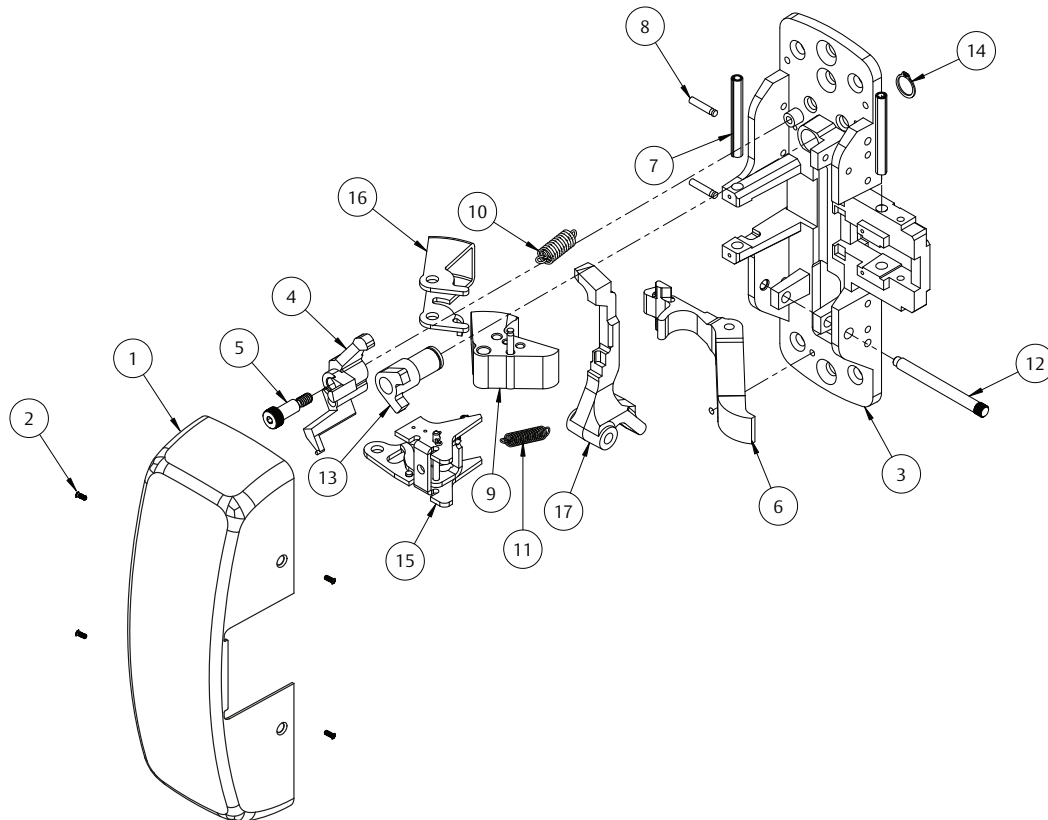
AL-
12-AL-
GL-
12-GL-

PE8863

SARGENT
ASSA ABLOY

Function	Assembly #	Description	Sellable
63	68-4099	LHRB	Yes
	68-4100	RHRB	

Item	Assembly #	Part #	Description	Qty	Sellable
1	N/A	PE-0409	Chassis Cover ¹	1	Yes
2		68-3908	Cover Screw Pack ¹	1	Yes
3	See chart above	68-0937	Chassis (LHRB)	1	No
		68-0938	Chassis (RHRB)		
4		68-7802	Locking Lever Subassembly (LHRB)	1	Yes
		68-8613	Locking Lever Subassembly (RHRB)		
5		01-9700	Shoulder Screw	1	Yes
6		68-1353	Lift Arm	1	Yes
7		01-4512	Spirol Pin	2	Yes
8		01-0008	Groove Pin	2	Yes
9		68-4415	Latch Bolt Assembly, Guarded	1	Yes
10		98-0028	Spring, Latch Bolt Return	1	Yes
11		68-1394	Spring, Guarding	1	Yes
12		68-0271	Pivot Pin, Thumb Piece Lever	1	Yes
13		98-0018	Outside Cylinder Hub	1	Yes
14		01-0005	Retaining Ring	1	Yes
15		68-4417	Guard Bracket Assembly	1	Yes
16		68-1352	Guide, Guarding	1	Yes
17		68-0260	Thumb Piece Lever (LHRB)	1	Yes
	68-0261	Thumb Piece Lever (RHRB)			
18	68-2143	Screw Pack	1	Yes	
19	649	Strike Pack	1	Yes	



¹ Specify Finish

Experience a safer
and more open world

The warranty on SARGENT® products becomes void if the product is modified in any way, regardless of whether the modification causes or contributes to any alleged defect. If a SARGENT product is modified it may no longer meet industry certification and quality control standards applicable to the original product and is no longer a genuine SARGENT product.

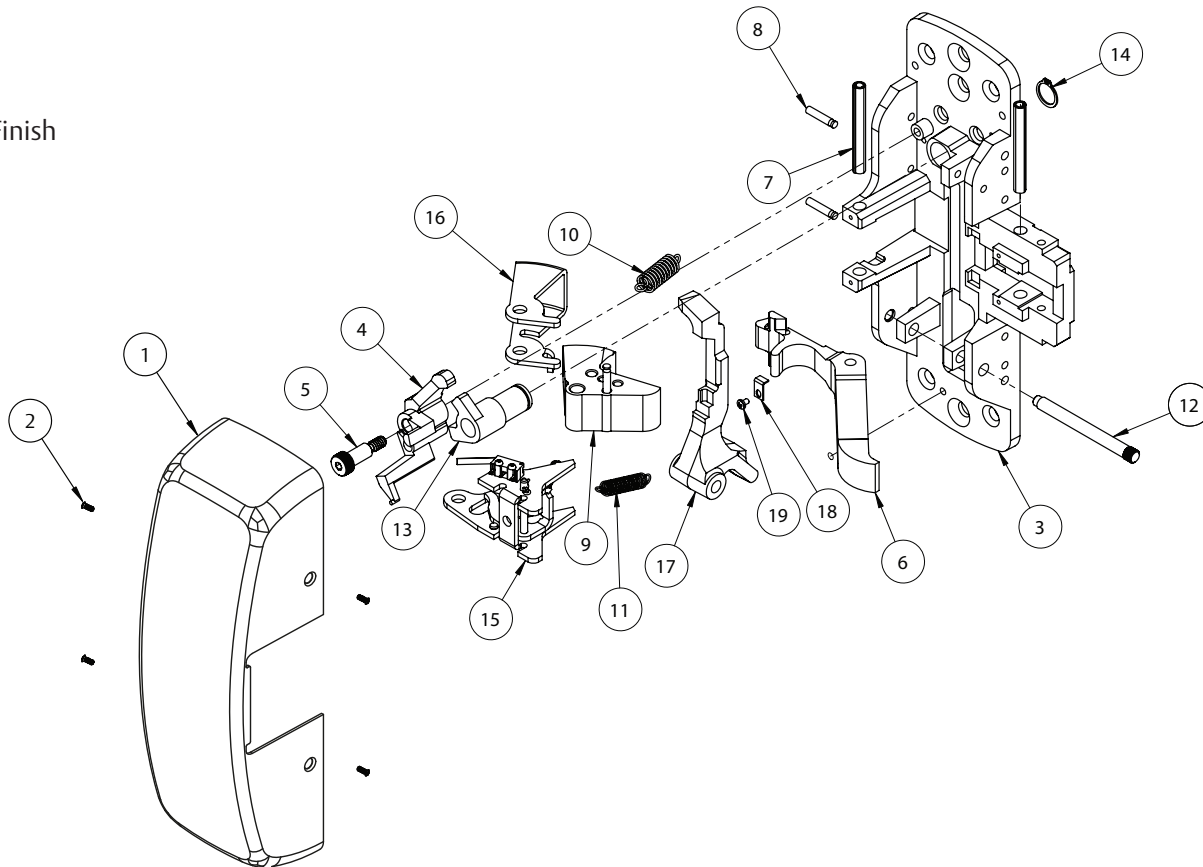
Copyright © 2023, SARGENT Manufacturing Company. All rights reserved. Reproduction in whole or in part without the express written permission of SARGENT Manufacturing Company is prohibited.

A8373:1 05/23

Function	Assembly #	Description	Sellable
63	68-7516 (LHRB)	Chassis Assembly	Yes
	68-7517 (RHRB)		

Item	Assembly #.	Part #.	Description	Qty	Sellable
1	N/A	PE-0145	Chassis Cover ¹	1	Yes
2		68-3908	Cover Screw Pa ¹	1	Yes
3	See chart above	68-0937	Chassis (LHRB)	1	No
		68-0938	Chassis (RHRB)		
4	See chart above	68-7802	Locking Lever Subassembly (LHRB)	1	Yes
		68-8613	Locking Lever Subassembly (RHRB)		
5	See chart above	01-9700	Shoulder Screw	1	Yes
6		68-1137	Lift Arm	1	Yes
7	See chart above	01-4512	Spirol Pin	2	Yes
8		01-0008	Groove Pin	2	Yes
9	See chart above	68-4414	Latch Bolt Assembly	1	Yes
10		68-1831	Spring, Latch Bolt Return	1	Yes
11	See chart above	68-0271	Pivot Pin, Thumb Piece Lever	1	Yes
12		98-0018	Outside Cylinder Hub		
13	See chart above	01-0005	Retaining Ring	1	Yes
14		68-0237	Latch Bolt Lift Lever (LHRB)	1	Yes
	68-0238	Latch Bolt Lift Lever (RHRB)	1	Yes	
15	See chart above	98-0011	Pivot Pin, Latch Bolt Lift Lever	1	Yes
16		68-0260	Thumb Piece Lever (LHRB)	1	Yes
	68-0261	Thumb Piece Lever (RHRB)			
17	See chart above	68-2143	Screw Pack	1	Yes
18		649	Strike Pack	1	Yes

¹ Specify Finish



A8373-A 05/23

The warranty on SARGENT® products becomes void if the product is modified in any way, regardless of whether the modification causes or contributes to any alleged defect. If a SARGENT product is modified it may no longer meet industry certification and quality control standards applicable to the original product and is no longer a genuine SARGENT product.

5CH-
12-5CH-
53-
12-53-
53-5CH-
12-53-5CH-

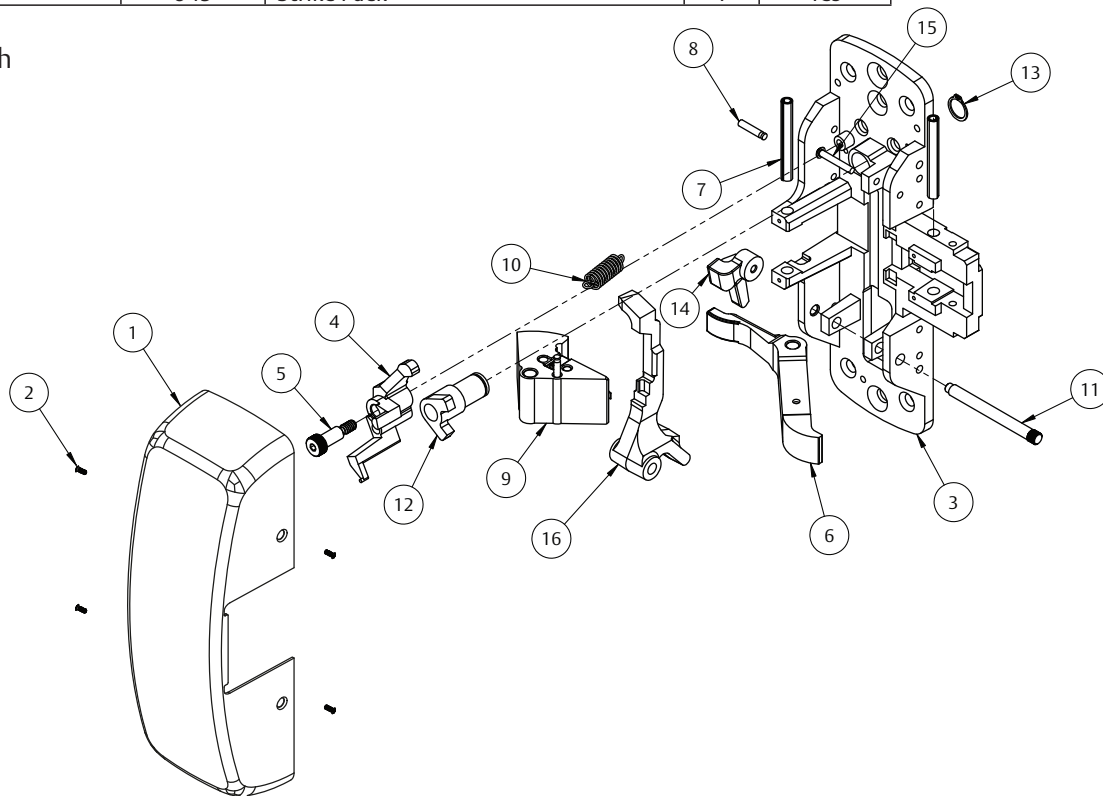
PE8863

SARGENT
ASSA ABLOY

Function	Assembly #	Description	Sellable
63	68-7967 (LHRB)	Chassis Assembly	Yes
	68-7968 (RHRB)		

Item	Assembly #	Part #	Description	Qty	Sellable
1	N/A	PE-0145	Chassis Cover ¹	1	Yes
2		68-3908	Cover Screw Pack ¹	1	Yes
3	See chart above	68-0937	Chassis (LHRB)	1	No
		68-0938	Chassis (RHRB)		
4		68-7802	Locking Lever Subassembly (LHRB)	1	Yes
		68-8613	Locking Lever Subassembly (RHRB)		
5		01-9700	Shoulder Screw	1	Yes
6		68-1353	Lift Arm	1	Yes
7		01-4512	Spirol Pin	2	Yes
8		01-0008	Groove Pin	2	Yes
9		68-4415	Latch Bolt Assembly, Guarded	1	Yes
10		98-1831	Spring, Latch Bolt Return	1	Yes
11		68-1394	Spring, Guarding	1	Yes
12		68-0271	Pivot Pin, Thumb Piece Lever	1	Yes
13		98-0018	Outside Cylinder Hub	1	Yes
14		01-0005	Retaining Ring	1	Yes
15		68-4418	Guard Bracket & Switch Assembly	1	Yes
16		68-1352	Guide, Guarding	1	Yes
17		68-0260	Thumb Piece Lever (LHRB)	1	Yes
		68-0261	Thumb Piece Lever (RHRB)		
18		52-0310	Cable Clamp	1	Yes
19		01-1482	Machine Screw, #2-56 x 1/8	1	Yes
20	68-2143	Screw Pack	1	Yes	
21	649	Strike Pack	1	Yes	

¹ Specify Finish



The warranty on SARGENT® products becomes void if the product is modified in any way, regardless of whether the modification causes or contributes to any alleged defect. If a SARGENT product is modified it may no longer meet industry certification and quality control standards applicable to the original product and is no longer a genuine SARGENT product.

Copyright © 2023, SARGENT Manufacturing Company. All rights reserved. Reproduction in whole or in part without the express written permission of SARGENT Manufacturing Company is prohibited.

A8373:1 05/23

Experience a safer
and more open world

71

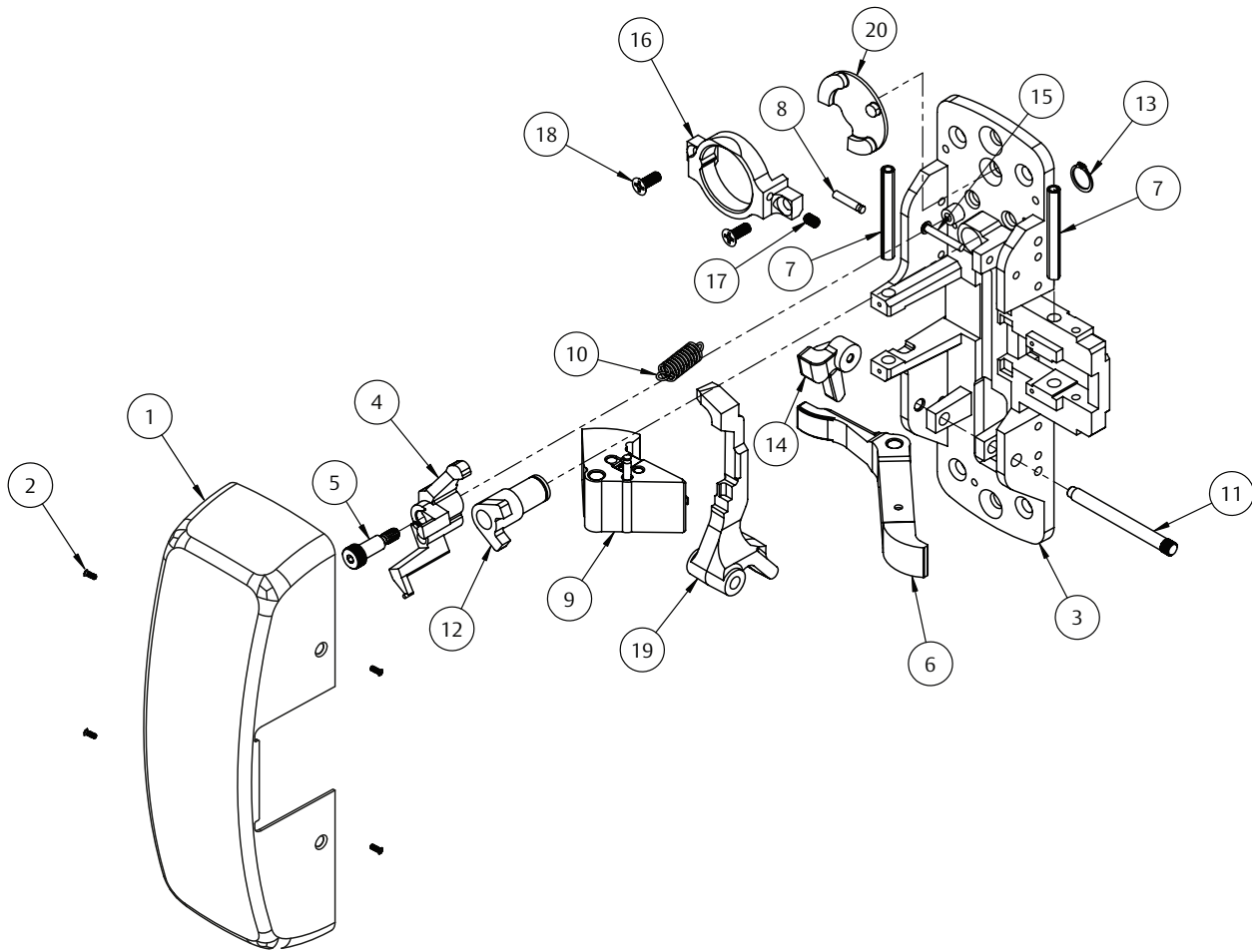
Function	Assembly #	Description	Sellable
66	68-2443 (LHRB)	Chassis Assembly	Yes
	68-2444 (RHRB)		

Item	Assembly #	Part #	Description	Qty	Sellable	
1	N/A	68-0408	Chassis Cover (LHRB) ¹	1	Yes	
		68-0409	Chassis Cover (RHRB) ¹			
2		68-3908	Cover Screw Pack ¹	1	Yes	
3		68-0937	Chassis (LHRB)	1	No	
		68-0938	Chassis (RHRB)			
4		68-7802	Locking Lever Subassembly (LHRB)	1	Yes	
		68-8613	Locking Lever Subassembly (RHRB)			
5	See chart above	01-9700	Shoulder Screw	1	Yes	
6		68-1353	Lift Arm	1	Yes	
7		01-4512	Spirol Pin	2	Yes	
8		01-0008	Groove Pin	2	Yes	
9		68-4414	Latch Bolt Assembly	1	Yes	
10		98-0028	Spring, Latch Bolt Return	1	Yes	
11		68-0271	Pivot Pin, Knob Lever	1	Yes	
12		98-0018	Outside Cylinder Hub	1	Yes	
13		01-0005	Retaining Ring	2	Yes	
14		68-0237	Latch Bolt Lift Lever (LHRB)	1	Yes	
		68-0238	Latch Bolt Lift Lever (RHRB)			
15		98-0011	Pivot Pin, Latch Bolt Lift Lever	2	Yes	
16		98-0020	Inside Cylinder Support	2	Yes	
17		01-1095	Set Screw #8-32 x 1/4 Cup Point	1	Yes	
18		01-3384	Machine Screw, #8-32 X 7/16	2	Yes	
19		68-0260	Thumb Piece Lever (LHRB)	1	Yes	
		68-0261	Thumb Piece Lever (RHRB)			
20		68-1929	Cylinder Cam Adapter	1	Yes	
21		N/A	98-0021	Blocking Ring ¹	1	Yes
22			68-2143	Screw Pack	1	Yes
23	-		Cylinder ^{1,2}	1	Yes	
24	649		Strike Pack	1	Yes	

¹ Specify Finish

² Specify #44 cylinder by keying requirements

Continued on the next page.



AL-
12-AL-
GL-
12-GL-

PE8866

SARGENT®
ASSA ABLOY

Option	Assembly #	Description	Sellable
66	68-4104 (LHRB)	Chassis Assembly	Yes
	68-4105 (RHRB)		

Item	Assembly #	Part #	Description	Qty	Sellable	
1	N/A	PE-0410	Chassis Cover (LHRB) ¹	1	Yes	
		PE-0411	Chassis Cover (RHRB) ¹			
2		68-3908	Cover Screw Pack ¹	1	Yes	
3		68-0937	Chassis (LHRB)	1	No	
		68-0938	Chassis (RHRB)			
4		68-7802	Locking Lever Subassembly (LHRB)	1	Yes	
		68-8613	Locking Lever Subassembly (RHRB)			
5		01-9700	Shoulder Screw	1	Yes	
6		68-1353	Lift Arm	1	Yes	
7		01-4512	Spirol Pin	2	Yes	
8		01-0008	Groove Pin	2	Yes	
9		68-4415	Latch Bolt Assembly	1	Yes	
10		98-0028	Spring, Latch Bolt Return	1	Yes	
11		68-1394	Spring, Guarding	1	Yes	
12	See chart above	68-0271	Pivot Pin, Knob Lever	1	Yes	
13		98-0018	Outside Cylinder Hub	1	Yes	
14		01-0005	Retaining Ring	2	Yes	
15		68-4417	Guard Bracket Assembly	1	Yes	
16		68-1352	Guide, Guarding	1	Yes	
17		68-0237	Latch Bolt Lift Lever (LHRB)	1	Yes	
		68-0238	Latch Bolt Lift Lever (RHRB)			
18			98-0011	Pivot Pin, Latch Bolt Lift Lever	2	Yes
19			98-0020	Inside Cylinder Support	2	Yes
20			01-1095	Set Screw #8-32 x 1/4 Cup Point	1	Yes
21			01-3384	Machine Screw, #8-32 X 7/16	2	Yes
22			68-0260	Thumb Piece Lever (LHRB)	1	Yes
			68-0261	Thumb Piece Lever (RHRB)		
23			68-1929	Cylinder Cam Adapter	1	Yes
24	N/A	98-0021	Blocking Ring ¹	1	Yes	
25		68-2143	Screw Pack	1	Yes	
26		-	Cylinder ^{1,2}	1	Yes	
27		649	Strike Pack	1	Yes	

¹ Specify Finish

² Specify #44 cylinder by keying requirements

Continued on the next page.

A8373-A 05/23

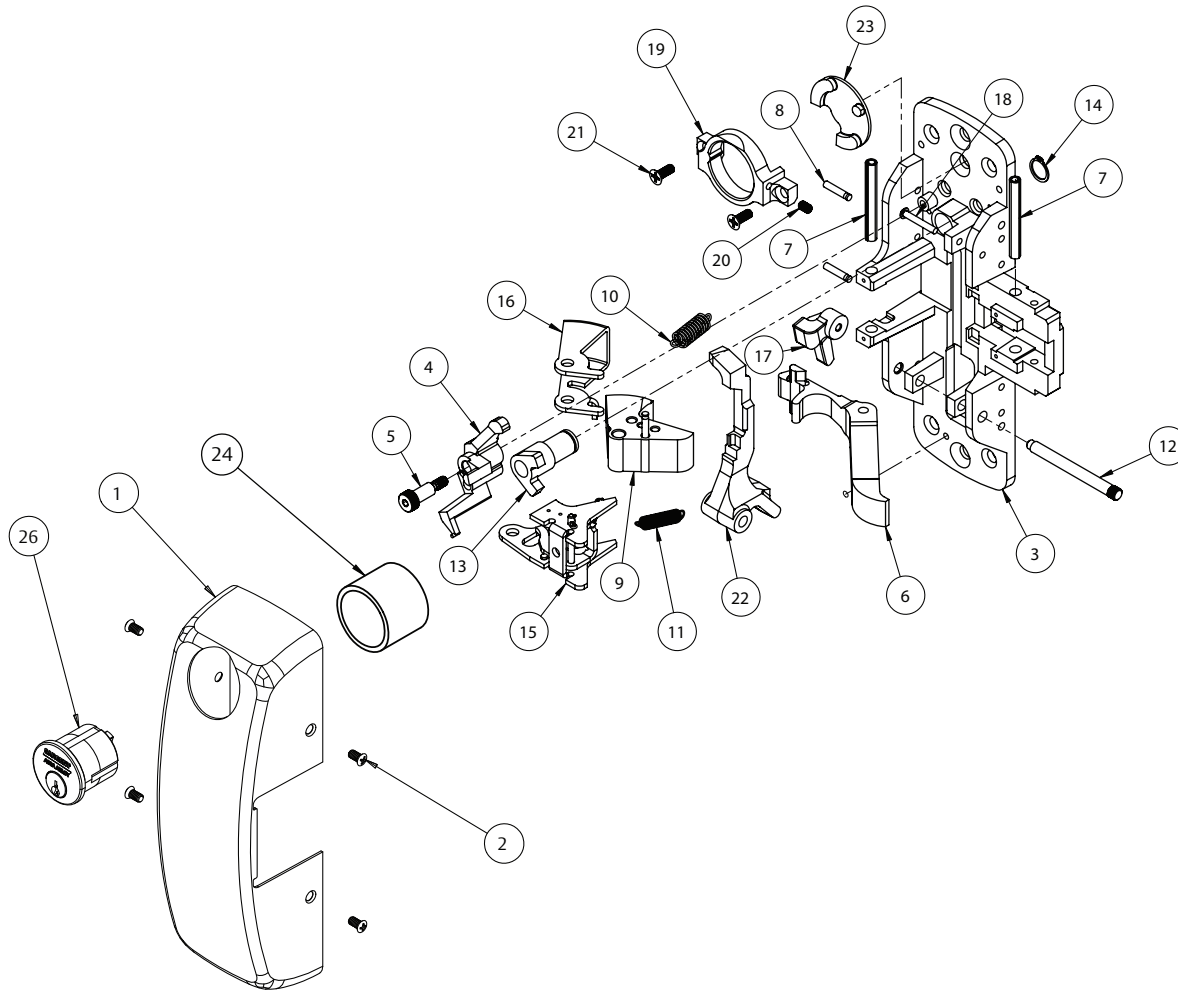
The warranty on SARGENT® products becomes void if the product is modified in any way, regardless of whether the modification causes or contributes to any alleged defect. If a SARGENT product is modified it may no longer meet industry certification and quality control standards applicable to the original product and is no longer a genuine SARGENT product.

Copyright © 2023, SARGENT Manufacturing Company. All rights reserved. Reproduction in whole or in part without the express written permission of SARGENT Manufacturing Company is prohibited.

AL-
12-AL-
GL-
12-GL-

PE8866

SARGENT
ASSA ABLOY



Experience a safer
and more open world

The warranty on SARGENT® products becomes void if the product is modified in any way, regardless of whether the modification causes or contributes to any alleged defect. If a SARGENT product is modified it may no longer meet industry certification and quality control standards applicable to the original product and is no longer a genuine SARGENT product.

Copyright © 2023, SARGENT Manufacturing Company. All rights reserved. Reproduction in whole or in part without the express written permission of SARGENT Manufacturing Company is prohibited.

A8373:1 05/23

53-
12-53-
59-
12-59

PE8866

SARGENT®
ASSA ABLOY

Function	Assembly #	Description	Sellable
(12-) 53- PE8866	68-3732 (LHRB)	Chassis Assembly	Yes
	68-3733 (RHRB)		
(12-) 59 - PE8866	PE-2315 (LHRB)		
	PE-2316 (RHRB)		

Item	Assembly #	Part #	Description	Qty	Sellable	
1	N/A	PE-0410	Chassis Cover (LHRB) ¹	1	Yes	
		PE-0411	Chassis Cover (RHRB) ¹			
2		68-3908	Cover Screw Pack ¹	1	Yes	
3		68-0937	Chassis (LHRB)	1	No	
		68-0938	Chassis (RHRB)			
4		68-7802	Locking Lever Subassembly (LHRB)	1	Yes	
		68-8613	Locking Lever Subassembly (RHRB)			
5		01-9700	Shoulder Screw	1	Yes	
6		68-1353	Lift Arm	1	Yes	
7		01-4512	Spirol Pin	2	Yes	
8		01-0008	Groove Pin	2	Yes	
9		68-4415	Latch Bolt Assembly	1	Yes	
10		98-0028	Spring, Latch Bolt Return	1	Yes	
11		68-1394	Spring, Guarding	1	Yes	
12		68-0271	Pivot Pin, Knob Lever	1	Yes	
13	See chart above	98-0018	Outside Cylinder Hub	1	Yes	
14		01-0005	Retaining Ring	2	Yes	
15		68-4418	Guard Bracket & Switch Assembly	1	Yes	
16		68-1352	Guide, Guarding	1	Yes	
17		68-0237	Latch Bolt Lift Lever (LHRB)	1	Yes	
		68-0238	Latch Bolt Lift Lever (RHRB)			
18			98-0011	Pivot Pin, Latch Bolt Lift Lever	2	Yes
19			98-0020	Inside Cylinder Support	2	Yes
20			01-1095	Set Screw #8-32 x 1/4 Cup Point	1	Yes
21			01-3384	Machine Screw, #8-32 X 7/16	2	Yes
22			68-0260	Thumb Piece Lever (LHRB)	1	Yes
			68-0261	Thumb Piece Lever (RHRB)		
23			68-1929	Cylinder Cam Adapter	1	Yes
24			52-0310	Cable Clamp	1	Yes
25		01-1482	Machine Screw, #2-56 x 1/8	1	Yes	
26	N/A	98-0021	Blocking Ring ¹	1	Yes	
27		68-2143	Screw Pack	1	Yes	
28		-	Cylinder ^{1,2}	1	Yes	
29			649	Strike Pack	1	Yes

¹ Specify Finish

² Specify #44 cylinder by keying requirements

Continued on the next page.

A8373-A 05/23

The warranty on SARGENT® products becomes void if the product is modified in any way, regardless of whether the modification causes or contributes to any alleged defect. If a SARGENT product is modified it may no longer meet industry certification and quality control standards applicable to the original product and is no longer a genuine SARGENT product.

76

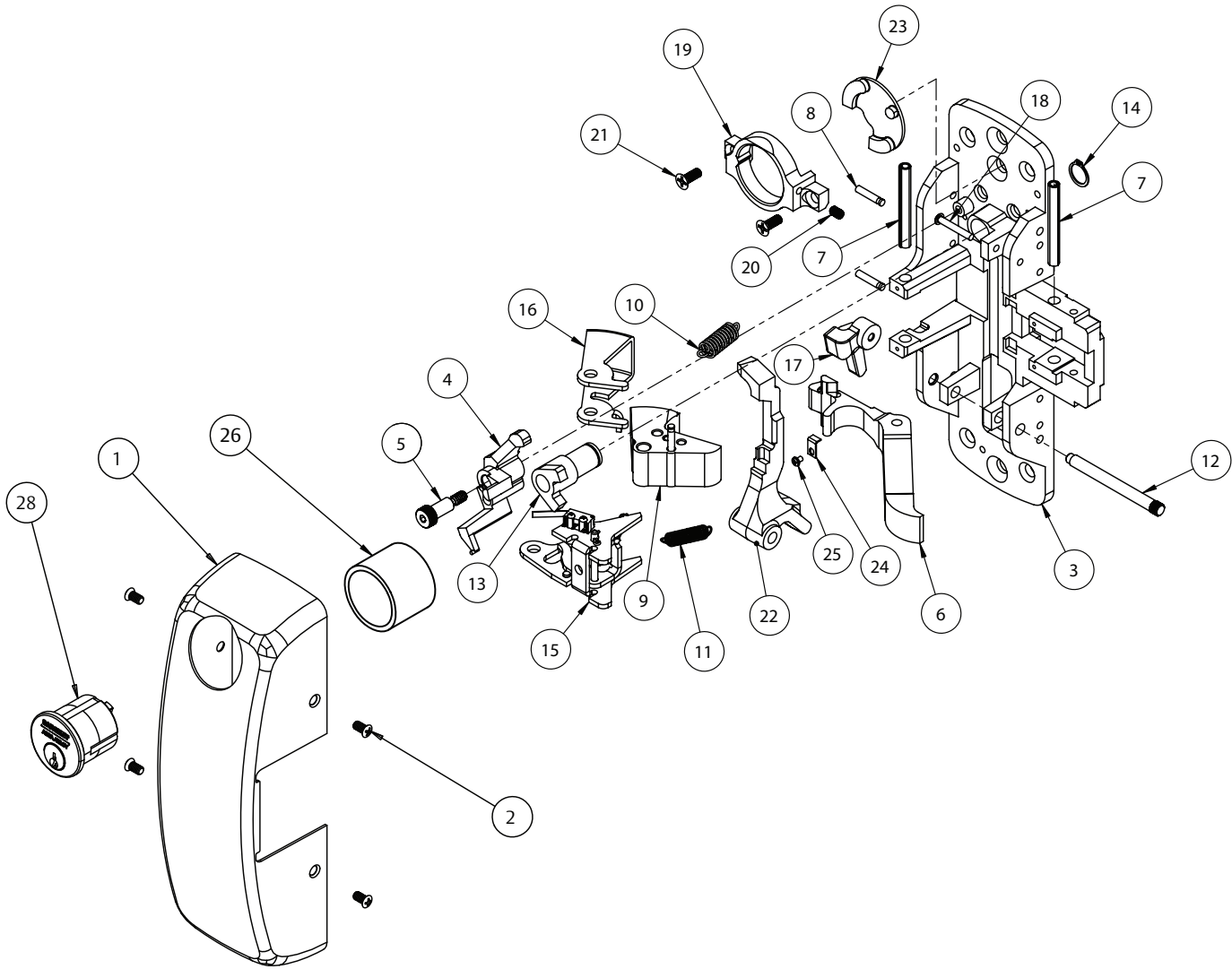
Copyright © 2023, SARGENT Manufacturing Company. All rights reserved. Reproduction in whole or in part without the express written permission of SARGENT Manufacturing Company is prohibited.

Experience a safer
and more open world

53-
12-53-
59-
12-59

PE8866

SARGENT
ASSA ABLOY



Experience a safer
and more open world

The warranty on SARGENT® products becomes void if the product is modified in any way, regardless of whether the modification causes or contributes to any alleged defect. If a SARGENT product is modified it may no longer meet industry certification and quality control standards applicable to the original product and is no longer a genuine SARGENT product.

Copyright © 2023, SARGENT Manufacturing Company. All rights reserved. Reproduction in whole or in part without the express written permission of SARGENT Manufacturing Company is prohibited.

A8373:1 05/23

Function	Assembly #	Description	Sellable
66	68-7518 (LHRB)	Chassis Assembly	Yes
	68-7519 (RHRB)		

Item	Assembly #	Part #	Description	Qty	Sellable	
1	N/A	PE-0147	Chassis Cover (LHRB) ¹	1	Yes	
		PE-0148	Chassis Cover (RHRB) ¹			
2		68-3908	Cover Screw Pack ¹	1	Yes	
3		68-0937	Chassis (LHRB)	1	No	
		68-0938	Chassis (RHRB)			
4		68-7802	Locking Lever Subassembly (LHRB)	1	Yes	
		68-8613	Locking Lever Subassembly (RHRB)			
5	See chart above	01-9700	Shoulder Screw	1	Yes	
6		68-1137	Lift Arm	1	Yes	
7		01-4512	Spirol Pin	2	Yes	
8		01-0008	Groove Pin	2	Yes	
9		68-4414	Latch Bolt Assembly	1	Yes	
10		98-1831	Spring, Latch Bolt Return	1	Yes	
11		68-0271	Pivot Pin, Knob Lever	1	Yes	
12		98-0018	Outside Cylinder Hub	1	Yes	
13		01-0005	Retaining Ring	2	Yes	
14		68-0237	Latch Bolt Lift Lever (LHRB)	1	Yes	
		68-0238	Latch Bolt Lift Lever (RHRB)			
15		98-0011	Pivot Pin, Latch Bolt Lift Lever	2	Yes	
16		98-0020	Inside Cylinder Support	2	Yes	
20		01-1095	Set Screw #8-32 x 1/4 Cup Point	1	Yes	
21		01-3384	Machine Screw, #8-32 X 7/16	2	Yes	
19		68-0260	Thumb Piece Lever (LHRB)	1	Yes	
		68-0261	Thumb Piece Lever (RHRB)			
20		68-1929	Cylinder Cam Adapter	1	Yes	
21		N/A	98-0021	Blocking Ring ^{1,1,1}	1	Yes
22			68-2143	Screw Pack	1	Yes
23	-		Cylinder ^{1,2}	1	Yes	
24	649		Strike Pack	1	Yes	

¹ Specify Finish

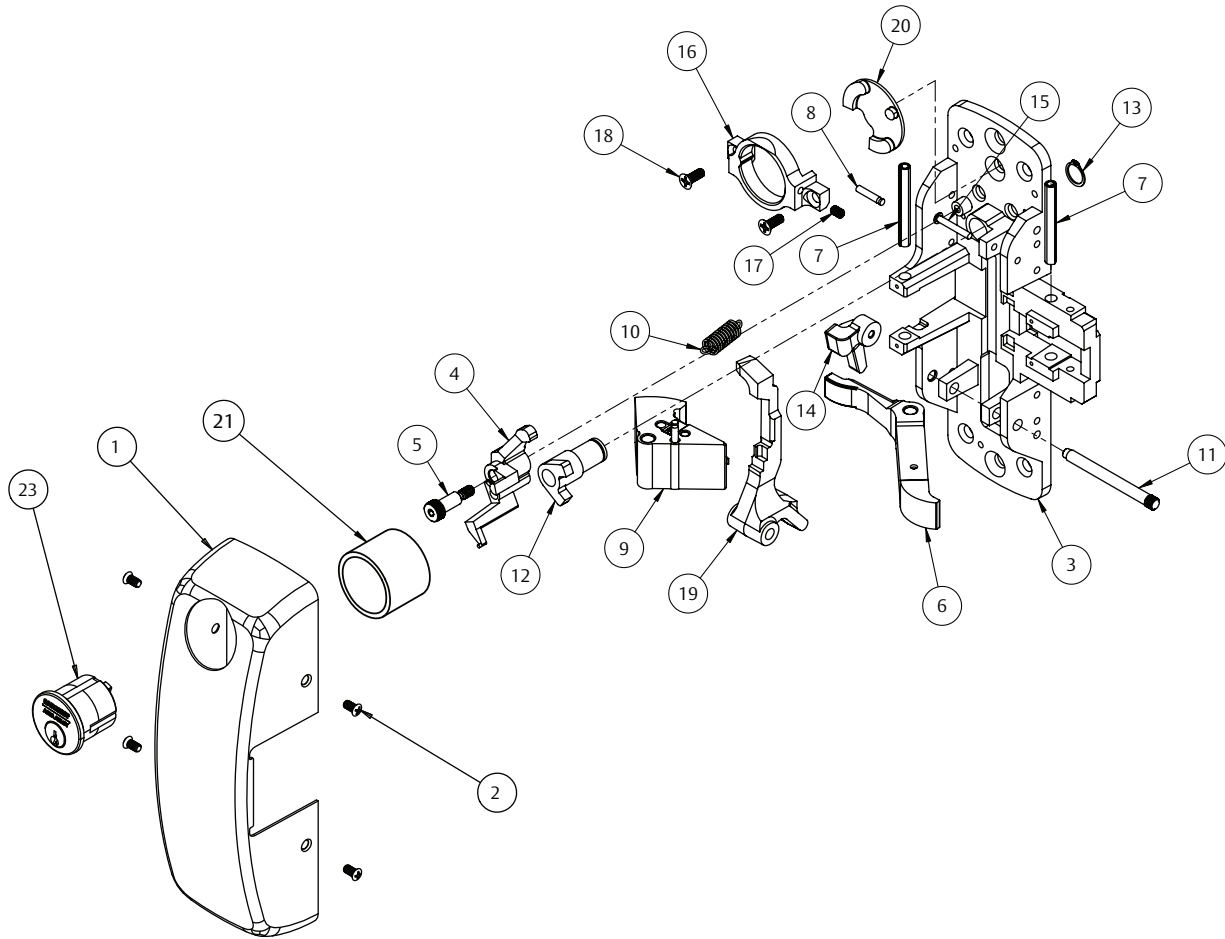
² Specify #44 cylinder by keying requirements

Continued on the next page.

5CH-
12-5CH-

PE8866

SARGENT
ASSA ABLOY



Experience a safer
and more open world

The warranty on SARGENT® products becomes void if the product is modified in any way, regardless of whether the modification causes or contributes to any alleged defect. If a SARGENT product is modified it may no longer meet industry certification and quality control standards applicable to the original product and is no longer a genuine SARGENT product.

Copyright © 2023, SARGENT Manufacturing Company. All rights reserved. Reproduction in whole or in part without the express written permission of SARGENT Manufacturing Company is prohibited.

A8373:1 05/23

5CH-
12-5CH-
53-
12-53-
5CH-53-
12-5CH-53-

PE8866

SARGENT
ASSA ABLOY

Function	Assembly #	Description	Sellable
66	68-7969 (LHRB)	Chassis Assembly	Yes
	68-7970 (RHRB)		

Item	Assembly #	Part #	Description	Qty	Sellable	
1	N/A	PE-0147	Chassis Cover (LHRB) ¹	1	Yes	
		PE-0148	Chassis Cover (RHRB) ¹			
2		68-3908	Cover Screw Pack*	1	Yes	
3		68-0937	Chassis (LHRB)	1	No	
		68-0938	Chassis (RHRB)			
4		68-7802	Locking Lever Subassembly (LHRB)	1	Yes	
		68-8613	Locking Lever Subassembly (RHRB)			
5		01-9700	Shoulder Screw	1	Yes	
6		68-1353	Lift Arm	1	Yes	
7		01-4512	Spirol Pin	2	Yes	
8		01-0008	Groove Pin	2	Yes	
9		68-4415	Latch Bolt Assembly	1	Yes	
10		98-1831	Spring, Latch Bolt Return	1	Yes	
11		68-1394	Spring, Guarding	1	Yes	
12		68-0271	Pivot Pin, Knob Lever	1	Yes	
13	See chart above	98-0018	Outside Cylinder Hub	1	Yes	
14		01-0005	Retaining Ring	2	Yes	
15		68-4418	Guard Bracket & Switch Assembly	1	Yes	
16		68-1352	Guide, Guarding	1	Yes	
17		68-0237	Latch Bolt Lift Lever (LHRB)	1	Yes	
		68-0238	Latch Bolt Lift Lever (RHRB)			
18			98-0011	Pivot Pin, Latch Bolt Lift Lever	2	Yes
19			98-0020	Inside Cylinder Support	2	Yes
20			01-1095	Set Screw #8-32 x 1/4 Cup Point	1	Yes
21			01-3384	Machine Screw, #8-32 X 7/16	2	Yes
22		68-0260	Thumb Piece Lever (LHRB)	1	Yes	
		68-0261	Thumb Piece Lever (RHRB)			
23		68-1929	Cylinder Cam Adapter	1	Yes	
24		52-0310	Cable Clamp	1	Yes	
25		01-1482	Machine Screw, #2-56 x 1/8			
26	N/A	98-0021	Blocking Ring ¹	1	Yes	
27		68-2143	Screw Pack	1	Yes	
28		-	Cylinder ^{1,2}	1	Yes	
29		649	Strike Pack	1	Yes	

¹ Specify Finish

² Specify #44 cylinder by keying requirements

Continued on the next page.

A8373-A 05/23

The warranty on SARGENT® products becomes void if the product is modified in any way, regardless of whether the modification causes or contributes to any alleged defect. If a SARGENT product is modified it may no longer meet industry certification and quality control standards applicable to the original product and is no longer a genuine SARGENT product.

80

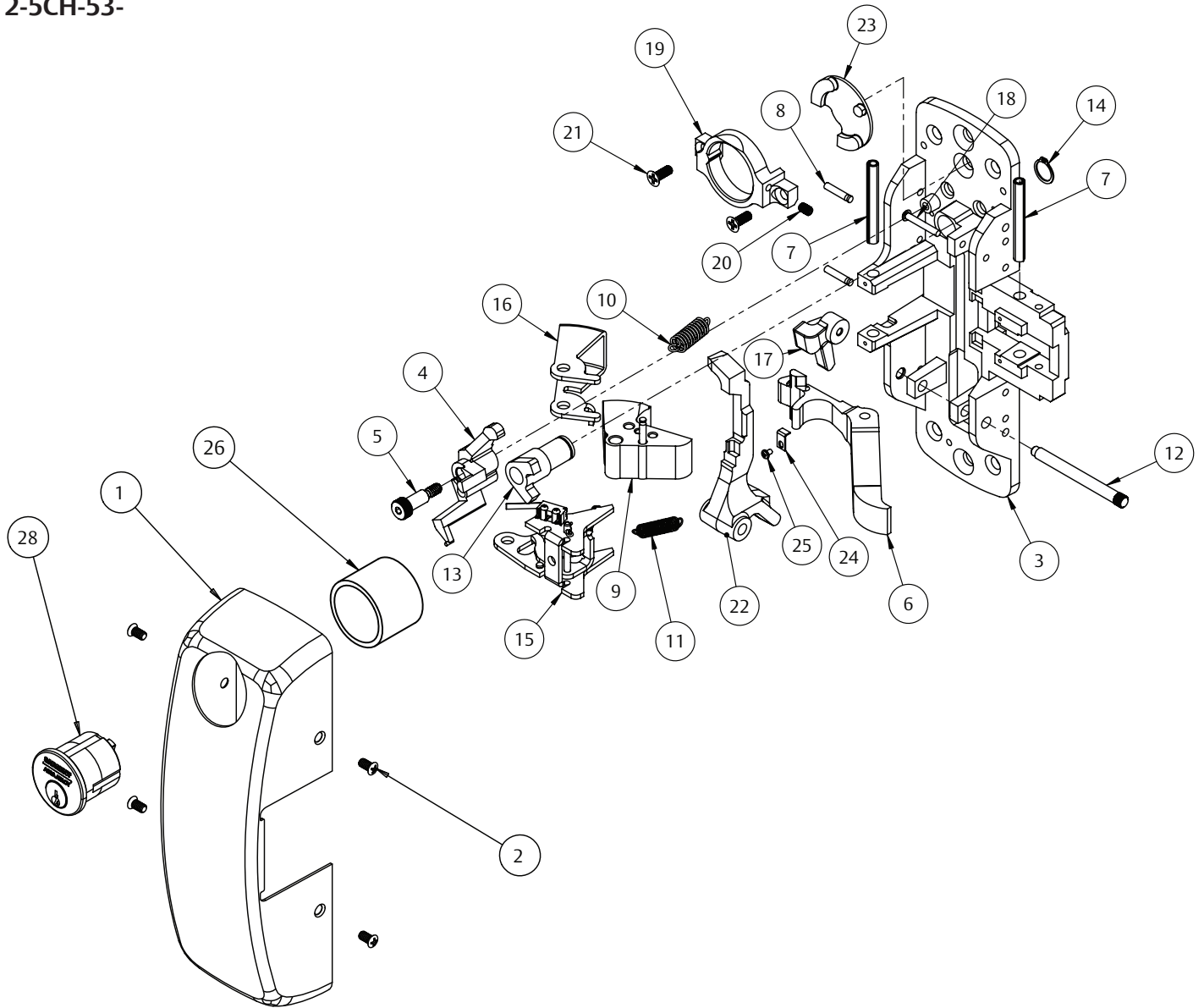
Copyright © 2023, SARGENT Manufacturing Company. All rights reserved. Reproduction in whole or in part without the express written permission of SARGENT Manufacturing Company is prohibited.

Experience a safer
and more open world

5CH-
12-5CH-
53-
12-53-
5CH-53-
12-5CH-53-

PE8866

SARGENT
ASSA ABLOY



Experience a safer
and more open world

The warranty on SARGENT® products becomes void if the product is modified in any way, regardless of whether the modification causes or contributes to any alleged defect. If a SARGENT product is modified it may no longer meet industry certification and quality control standards applicable to the original product and is no longer a genuine SARGENT product.

Copyright © 2023, SARGENT Manufacturing Company. All rights reserved. Reproduction in whole or in part without the express written permission of SARGENT Manufacturing Company is prohibited.

A8373:1 05/23

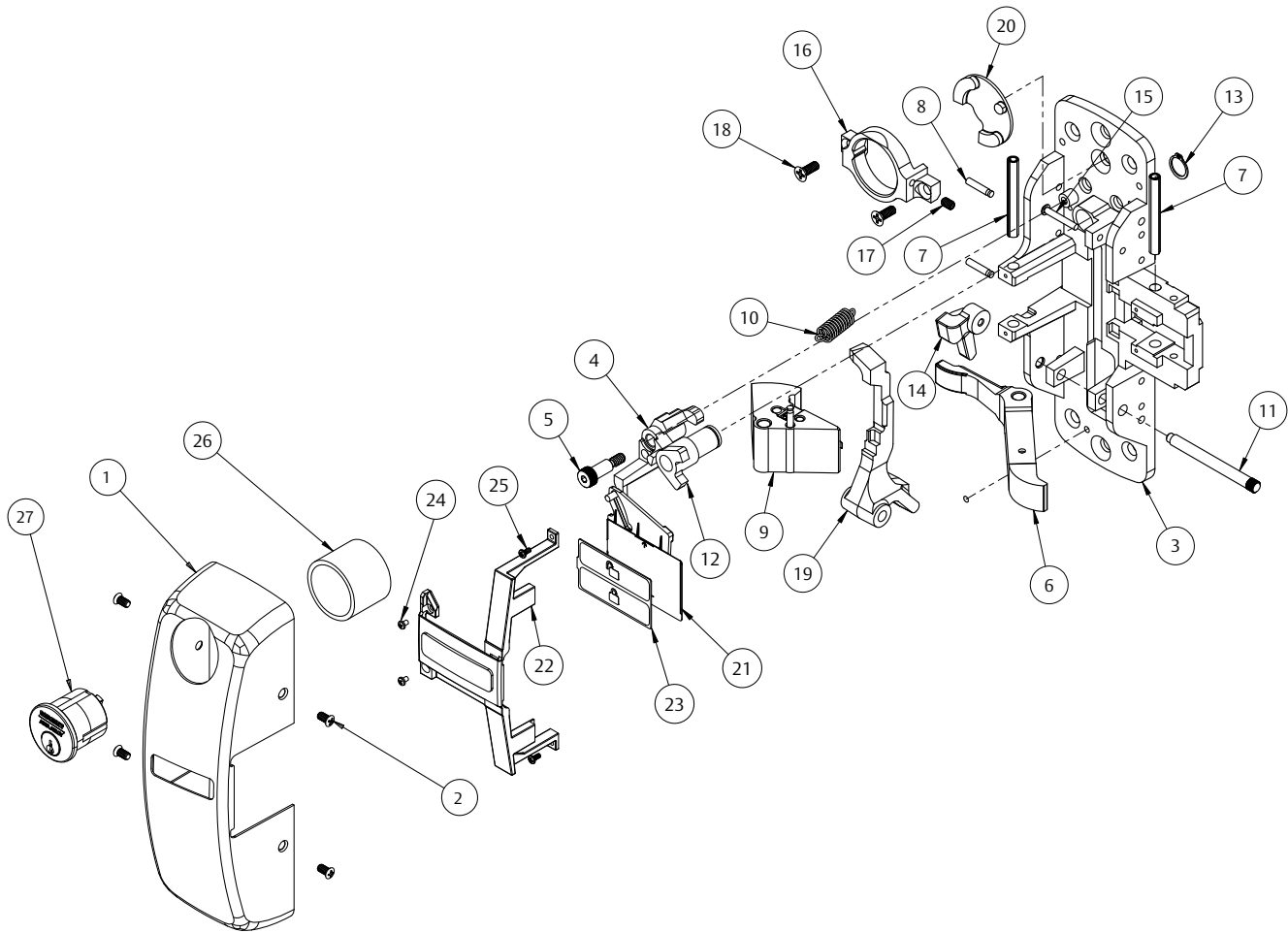
Function	Assembly #	Description	Sellable
66	PE-2613 (LHRB)	Chassis Assembly	Yes
	PE-2614 (RHRB)		

Item	Assembly #	Part #	Description	Qty	Sellable
1	N/A	PE-0151	Chassis Cover (LHRB) ¹	1	Yes
		PE-0152	Chassis Cover (RHRB) ¹		
2		68-3908	Cover Screw Pack ¹	1	Yes
3		68-0937	Chassis (LHRB)	1	No
		68-0938	Chassis (RHRB)		
4		PE-2653	Locking Lever Subassembly (LHRB)	1	Yes
		PE-2654	Locking Lever Subassembly (RHRB)		
5		01-9700	Shoulder Screw	1	Yes
6		68-1137	Lift Arm	1	Yes
7		01-4512	Spirol Pin	2	Yes
8		01-0008	Groove Pin	2	Yes
9		68-4414	Latch Bolt Assembly	1	Yes
10		98-0028	Spring, Latch Bolt Return	1	Yes
11		68-0271	Pivot Pin, Knob Lever	1	Yes
12		98-0018	Outside Cylinder Hub	1	Yes
13		01-0005	Retaining Ring	2	Yes
14	See chart above	68-0237	Latch Bolt Lift Lever (LHRB)	1	Yes
		68-0238	Latch Bolt Lift Lever (RHRB)		
15		98-0011	Pivot Pin, Latch Bolt Lift Lever	2	Yes
16		98-0020	Inside Cylinder Support	2	Yes
17		01-1095	Set Screw #8-32 x 1/4 Cup Point	1	Yes
18		01-3384	Machine Screw, #8-32 X 7/16	2	Yes
19		68-0260	Thumb Piece Lever (LHRB)	1	Yes
		68-0261	Thumb Piece Lever (RHRB)		
20		68-1929	Cylinder Cam Adapter	1	Yes
21		PE-0389	Flag, 49- LHRB	1	Yes
		PE-0390	Flag, 49- RHRB		
22		PE-0391	Window, 49- LHRB	1	Yes
		PE-0392	Window, 49- RHRB		
23		PE-0395	Label, 49- Indicator Icon	1	Yes
24		52-1056	Machine Screw, #2-56 x 3/16	2	Yes
25		01-1482	Machine Screw, #2-56 x 1/8	2	Yes
26	N/A	98-0021	Blocking Ring ¹	1	Yes
27		-	Cylinder ^{1,2}	1	Yes
28		68-2143	Screw Pack	1	Yes
29		649	Strike Pack	1	Yes

¹ Specify Finish

² Specify #44 cylinder by keying requirements

Continued on the next page.



49-AL- PE8866
 12-49-AL-
 49-GL-
 12-49-GL-

Function	Assembly #	Description	Sellable
66	PE-2611 (LHRB)	Chassis Assembly	Yes
	PE-2612 (RHRB)		

Item	Assembly #	Part #	Description	Qty	Sellable	
1	N/A	PE-0412	Chassis Cover (LHRB) ¹	1	Yes	
		PE-0413	Chassis Cover (RHRB) ¹			
2		68-3908	Cover Screw Pack ¹	1	Yes	
3		68-0937	Chassis (LHRB)	1	No	
		68-0938	Chassis (RHRB)			
4		PE-2653	Locking Lever Subassembly (LHRB)	1	Yes	
		PE-2654	Locking Lever Subassembly (RHRB)			
5		01-9700	Shoulder Screw	1	Yes	
6		68-1353	Lift Arm	1	Yes	
7		01-4512	Spirol Pin	2	Yes	
8		01-0008	Groove Pin	2	Yes	
9		68-4415	Latch Bolt Assembly	1	Yes	
10		98-0028	Spring, Latch Bolt Return	1	Yes	
11		68-1394	Spring, Guarding	1	Yes	
12		68-0271	Pivot Pin, Knob Lever	1	Yes	
13		98-0018	Outside Cylinder Hub	1	Yes	
14		01-0005	Retaining Ring	2	Yes	
15	See chart above	68-4417	Guard Bracket Assembly	1	Yes	
16		68-1352	Guide, Guarding	1	Yes	
17		68-0237	Latch Bolt Lift Lever (LHRB)	1	Yes	
		68-0238	Latch Bolt Lift Lever (RHRB)			
18			98-0011	Pivot Pin, Latch Bolt Lift Lever	2	Yes
19			98-0020	Inside Cylinder Support	2	Yes
20			01-1095	Set Screw #8-32 x 1/4 Cup Point	1	Yes
21			01-3384	Machine Screw, #8-32 X 7/16	2	Yes
22			68-0260	Thumb Piece Lever (LHRB)	1	Yes
			68-0261	Thumb Piece Lever (RHRB)		
23		PE-0389	Flag, 49- LHRB	1	Yes	
		PE-0390	Flag, 49- RHRB			
24		PE-0391	Window, 49- LHRB	1	Yes	
		PE-0392	Window, 49- RHRB			
25		PE-0395	Label, 49- Indicator Icon	1	Yes	
26		52-1056	Machine Screw, #2-56 x 3/16	2	Yes	
27		68-1929	Cylinder Cam Adapter	1	Yes	
28		01-1482	Machine Screw, #2-56 x 1/8	2	Yes	
29	N/A	98-0021	Blocking Ring ¹	1	Yes	
30		68-2143	Screw Pack	1	Yes	
31		-	Cylinder ^{1,2}	1	Yes	
32		649	Strike Pack	1	Yes	

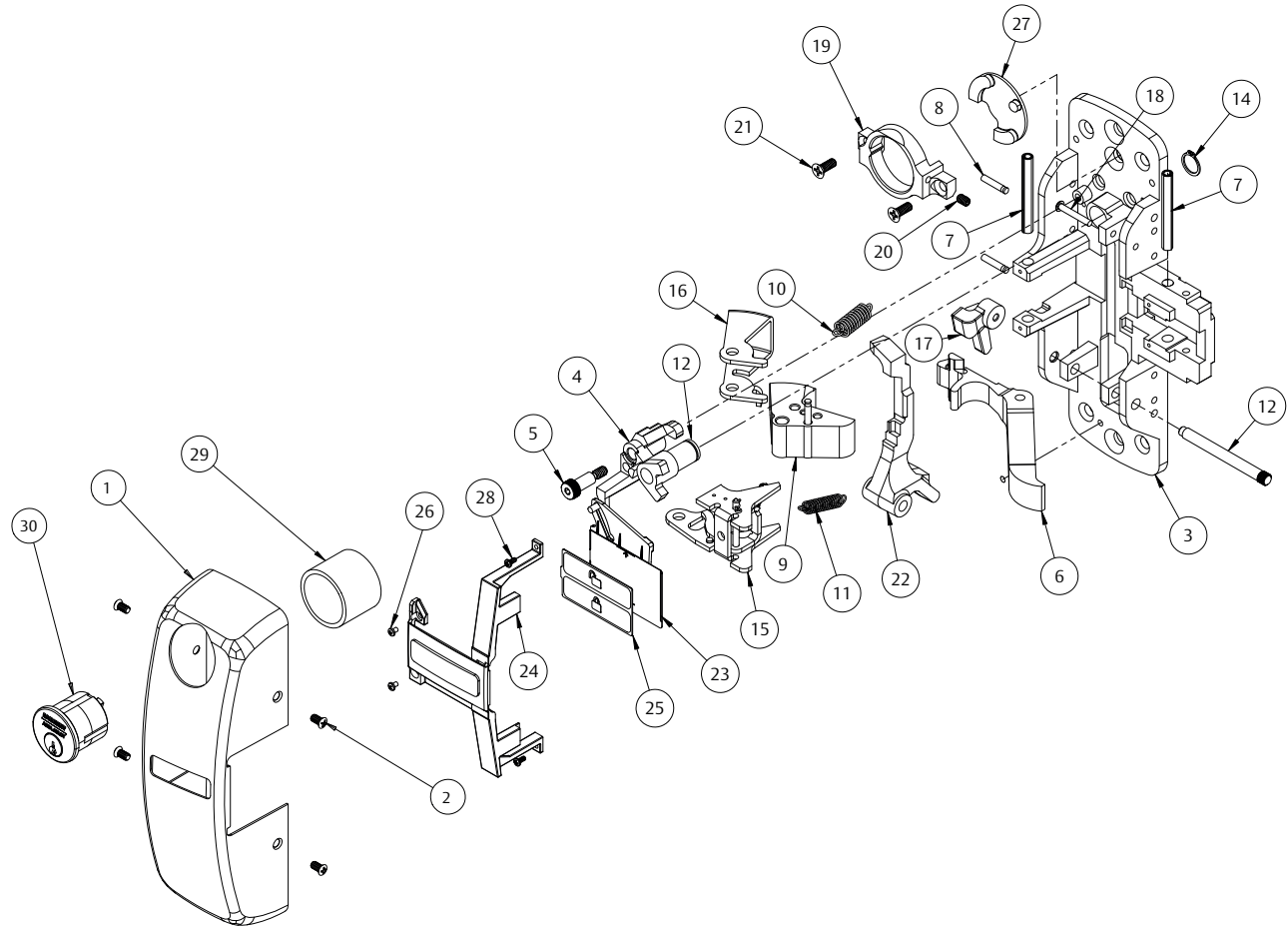
¹ Specify Finish
² Specify #44 cylinder by keying requirements

Continued on the next page.

49-AL-
12-49-AL-
49-GL-
12-49-GL-

PE8866

SARGENT
ASSA ABLOY



Experience a safer
and more open world

The warranty on SARGENT® products becomes void if the product is modified in any way, regardless of whether the modification causes or contributes to any alleged defect. If a SARGENT product is modified it may no longer meet industry certification and quality control standards applicable to the original product and is no longer a genuine SARGENT product.

Copyright © 2023, SARGENT Manufacturing Company. All rights reserved. Reproduction in whole or in part without the express written permission of SARGENT Manufacturing Company is prohibited.

Std
12-
59-
12-59-

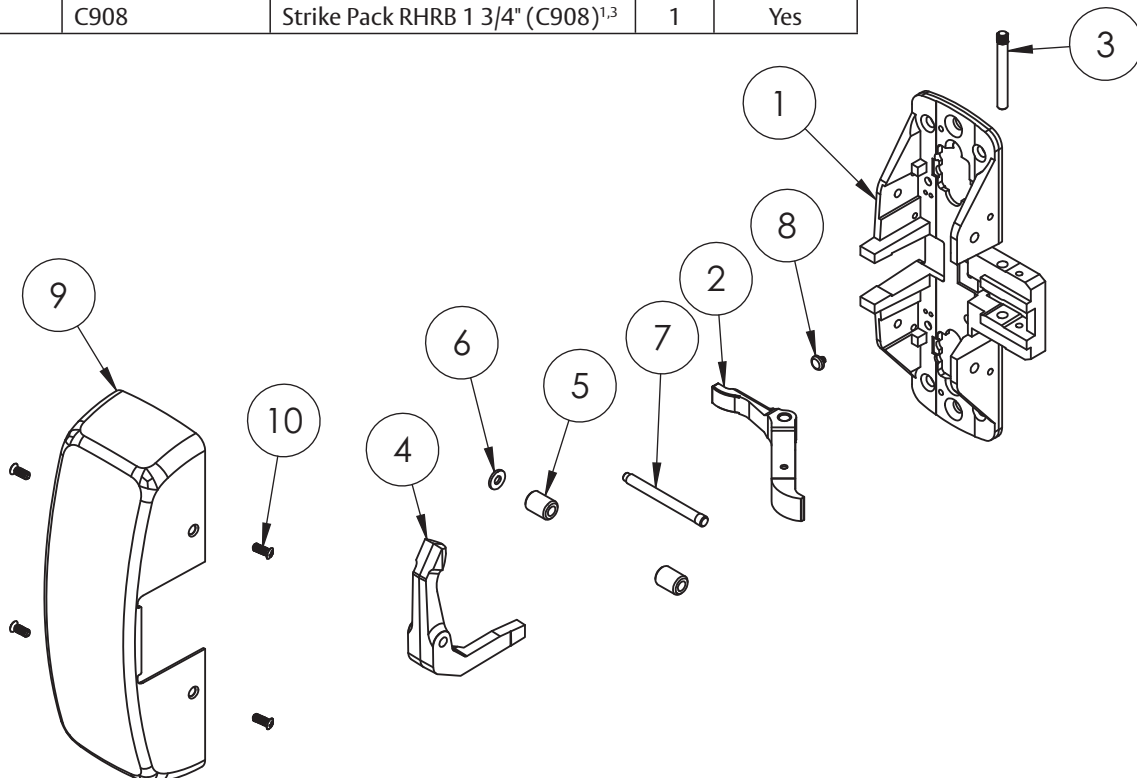
PE8904 PE8910 PE8913 PE8915 PE8928 PE8943
PE8944 PE8963 PE8975 PE8976

SARGENT®
ASSA ABLOY

Option	Assembly #	Description	Sellable
(12-) (All Functions Except 16 & 66)	68-2172	LHRB	Yes
	68-2173	RHRB	Yes
(12-) 59- (All Functions Except 16 & 66)	PE-2344	LHRB	Yes
	PE-2345	RHRB	Yes

Item	Assembly #	Part #	Description	Qty	Sellable
1	See chart above	68-0339	Chassis	1	No
2		68-1137	Lift Arm	1	Yes
		PE-0302	59- PE Lift Arm		Yes
3		68-0239	Pivot Pin	1	Yes
4		68-0337	Left Hand Lift Lever	1	Yes
		68-0338	Right Hand Lift Lever	1	Yes
5		68-0273	Bushing	2	Yes
6		01-9370	Washer	1	Yes
7		68-0271	Pivot Pin (63 Function)	1	Yes
8		68-1294	Stop Pin	1	No
9	PE-0146	Cover ¹	1	Yes	
10	68-3905	Cover Screw Pack ¹	1	Yes	
Not Shown	N/A	68-2172 (LHRB)	900 Series Mortise Assembly ^{1,2,3}	1	Yes
		68-2173 (RHRB)		1	Yes
		68-2143	Screw Pack Standard	1	Yes
		68-2165	Screw Pack (12-)	1	Yes
		C908	Strike Pack LHRB 1 3/4" (C908) ^{1,3}	1	Yes
C908	Strike Pack RHRB 1 3/4" (C908) ^{1,3}	1	Yes		

- 1 Specify Finish
- 2 Specify Function
- 3 Specify Hand



The warranty on SARGENT® products becomes void if the product is modified in any way, regardless of whether the modification causes or contributes to any alleged defect. If a SARGENT product is modified it may no longer meet industry certification and quality control standards applicable to the original product and is no longer a genuine SARGENT product.

Copyright © 2023, SARGENT Manufacturing Company. All rights reserved. Reproduction in whole or in part without the express written permission of SARGENT Manufacturing Company is prohibited.

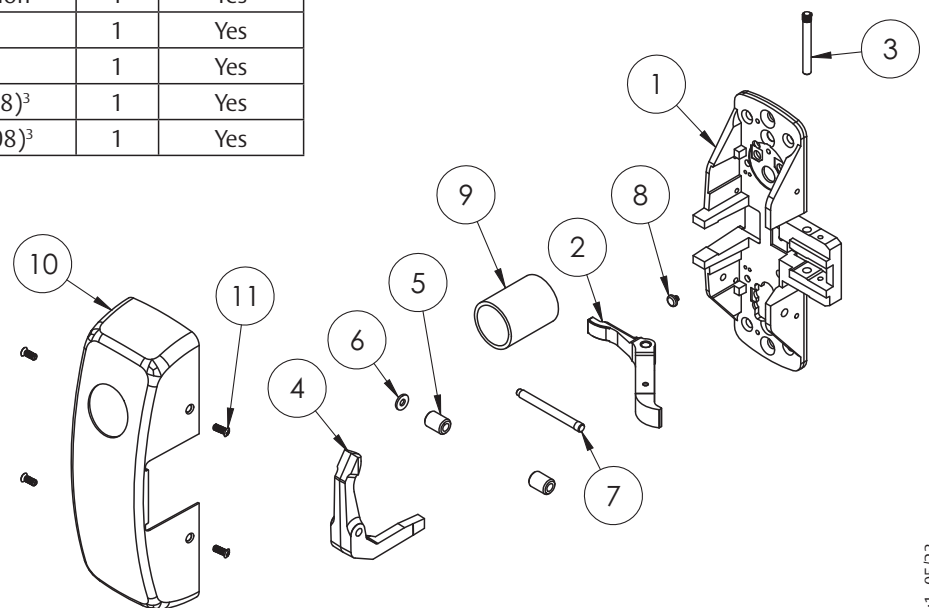
A8373-A 05/23

Std PE8916
 12- PE8966
 59-
 12-59-

Option	Assembly #	Description	Sellable
(12-)	68-2213	LHRB	Yes
	68-2214	RHRB	Yes
(12-) 59-	PE-2336	LHRB	Yes
	PE-2337	RHRB	Yes

Item	Part #	Description	Qty	Sellable
1	68-0341	Chassis RHRB	1	No
	68-0342	Chassis LHRB	1	No
2	68-1137	Lift Arm	1	Yes
	PE-0302	59-PE Lift Arm		Yes
3	68-0239	Pivot Pin	1	Yes
4	68-0337	Left Hand Lift Lever	1	Yes
	68-0338	Right Hand Lift Lever	1	Yes
5	68-0273	Bushing	2	Yes
6	01-9370	Washer	1	Yes
7	68-0271	Pivot Pin (63 Function)	1	Yes
8	68-1294	Stop Pin	1	No
9	99-0007	Cylinder Blocking Ring ¹	1	Yes
Not Shown	13-0085	Locking Tail	1	Yes
	13-0080	Cylinder Barrel Retainer	1	Yes
	—	Cylinder Assembly ²	1	Yes
10	PE-0149	Cover LHRB ¹	1	Yes
	PE-0150	Cover RHRB ¹	1	Yes
11	68-3905	Cover Screw Pack ¹	1	Yes
Not Shown	916	Mortise Assy 16 Funtion ^{1,3}	1	Yes
	966	Mortise Assy 66 Function ^{1,3}	1	Yes
	68-2143	Screw Pack Standard	1	Yes
	68-2165	Screw Pack (12-)	1	Yes
	C908	Strike Pack LHRB (C908) ³	1	Yes
	C908	Strike Pack RHRB (C908) ³	1	Yes

- 1 Specify Finish
- 2 Specify Function
- 3 Specify Hand



Experience a safer
 and more open world

The warranty on SARGENT® products becomes void if the product is modified in any way, regardless of whether the modification causes or contributes to any alleged defect. If a SARGENT product is modified it may no longer meet industry certification and quality control standards applicable to the original product and is no longer a genuine SARGENT product.

Copyright © 2023, SARGENT Manufacturing Company. All rights reserved. Reproduction in whole or in part without the express written permission of SARGENT Manufacturing Company is prohibited.

Item	Part No.	Description	Qty.	Sellable
1	99-2351	Case Assembly	1	No
2	01-0273	Roll Pin	1	Yes
3	99-0072	Guard Bolt Eyelet	1	Yes
4	99-0057	Guard Bolt Spring	1	Yes
5	99-0279	Guard Bolt Assembly LHRB	1	Yes
	99-0280	Guard Bolt Assembly RHRB	1	Yes
6	99-0075	Anti-Friction Latchbolt	1	Yes
7	99-0216	Front RHRB ¹	1	No
	99-0217	Front LHRB ¹	1	No
8	99-0098	Pivot Pin Anti-Friction Latchbolt	1	Yes
9	99-2247	Latchbolt Assembly	1	Yes
10	01-1142	Case Screw #8-32 x 1/4	5	Yes
11	99-0076	Slide Spacer	2	Yes
12	99-0208	Locking Lever	1	Yes
13	01-0074	Retaining Ring	1	Yes
14	77-1165	Spring Stop Works	2	Yes
15	99-0060	Guard Bolt Lever	1	Yes
16	77-1040	Button Tail Stop Works	1	No
17	01-0098	Retaining Ring	1	Yes
18	99-0058	Slide Guide	2	Yes
19	99-0063	Spring Guard Bolt Lever	1	Yes
20	99-2385	Latchbolt Lever Assembly	1	Yes
21	99-2059	Lever Slide Assembly	1	Yes
22	99-0212	Pivot Pin Lever Slide	1	Yes
23	99-0206	Knob Hub	1	Yes
24	99-0061	Spring Thumbpiece Lever	1	Yes
25	99-0236	Cylinder Screw Support	1	Yes
26	99-0078	Cylinder Set Screw	1	Yes
27	99-2361	Cap Assembly	1	No

¹ Specify Finish

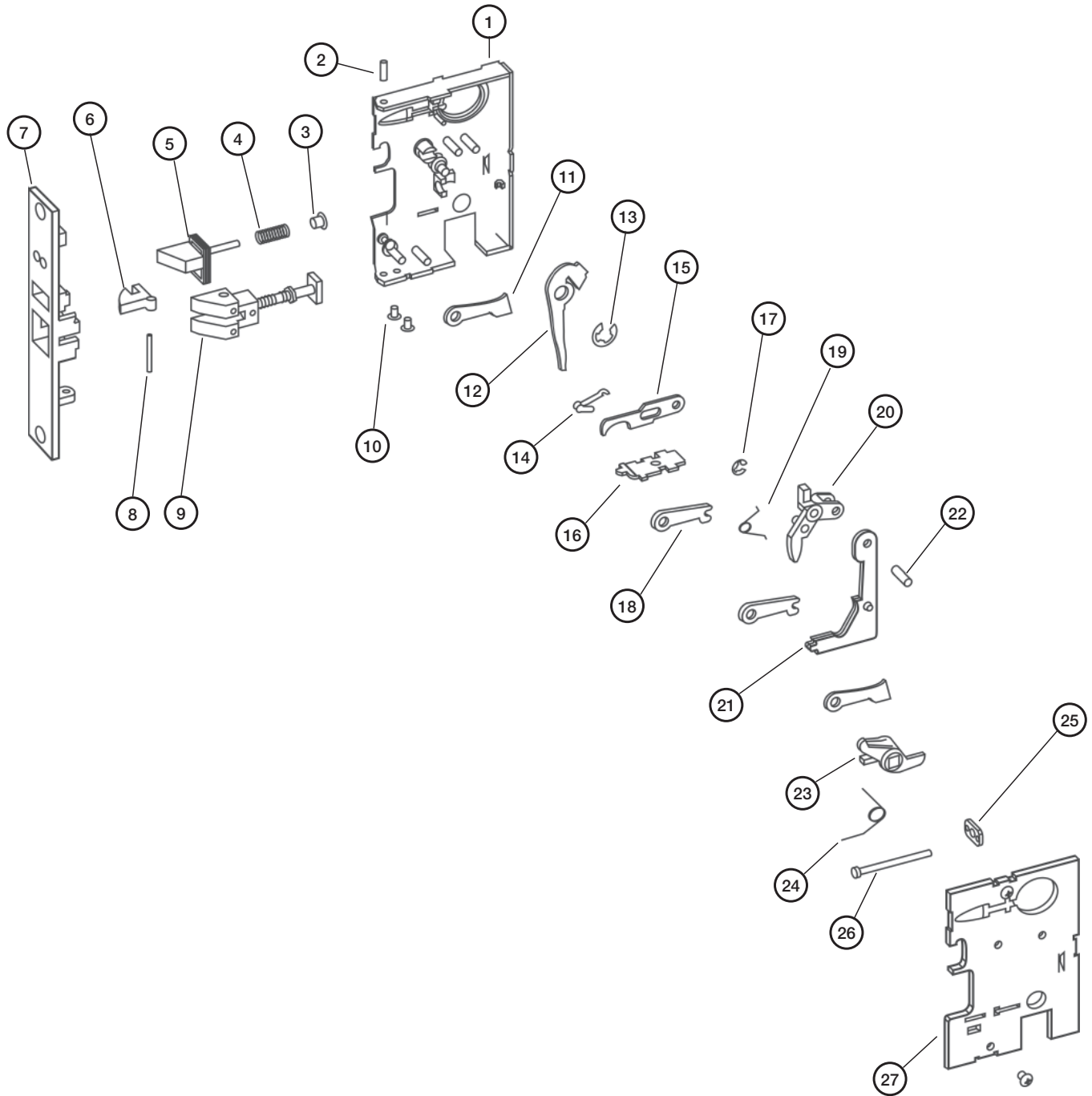
² Specify #44 cylinder by keying requirements

Notes:

- Items 5 and 15 to be sold as a set only.
- For 8313 x ET or 8913 x Lever Trim use 915 Mortise Assembly.

Continued on the next page.

900 Series Mortise Locks
913



Experience a safer
and more open world

The warranty on SARGENT® products becomes void if the product is modified in any way, regardless of whether the modification causes or contributes to any alleged defect. If a SARGENT product is modified it may no longer meet industry certification and quality control standards applicable to the original product and is no longer a genuine SARGENT product.

Copyright © 2023, SARGENT Manufacturing Company. All rights reserved. Reproduction in whole or in part without the express written permission of SARGENT Manufacturing Company is prohibited.

900 Series Mortise Locks
915, 975, 976, 943



Item	Part No.	Description	Qty.	Sellable
1	99-2351	Case Assembly	1	No
2	01-0273	Roll Pin	1	Yes
3	99-0072	Guard Bolt Eyelet	1	Yes
4	99-0057	Guard Bolt Spring	1	Yes
5	99-0279	Guard Bolt Assembly LHRB	1	Yes
	99-0280	Guard Bolt Assembly RHRB	1	Yes
6	99-0075	Anti-Friction Latchbolt	1	Yes
7	99-0216	Front RHRB ¹	1	No
	99-0217	Front LHRB ¹	1	No
8	99-0098	Pivot Pin Anti-Friction Latchbolt	1	Yes
9	99-2247	Latchbolt Assembly	1	Yes
10	01-1142	Case Screw #8-32 x 1/4	5	Yes
11	99-0076	Slide Spacer	2	Yes
15	99-0060	Guard Bolt Lever	1	Yes
17	01-0098	Retaining Ring	1	Yes
18	99-0058	Slide Guide	2	Yes
19	99-0063	Spring Guard Bolt Lever	1	Yes
20	99-2385	Latchbolt Lever Assembly	1	Yes
21	99-2059	Lever Slide Assembly	1	Yes
22	99-0212	Pivot Pin Lever Slide	1	Yes
23	99-0206	Knob Hub	1	Yes
24	99-0061	Spring Thumbpiece Lever	1	Yes
25	99-0236	Cylinder Screw Support	1	Yes
26	99-0078	Cylinder Set Screw	1	Yes
27	99-2361	Cap Assembly	1	No
-	68-2597	Bridge Rectifier Pack ²	1	Yes

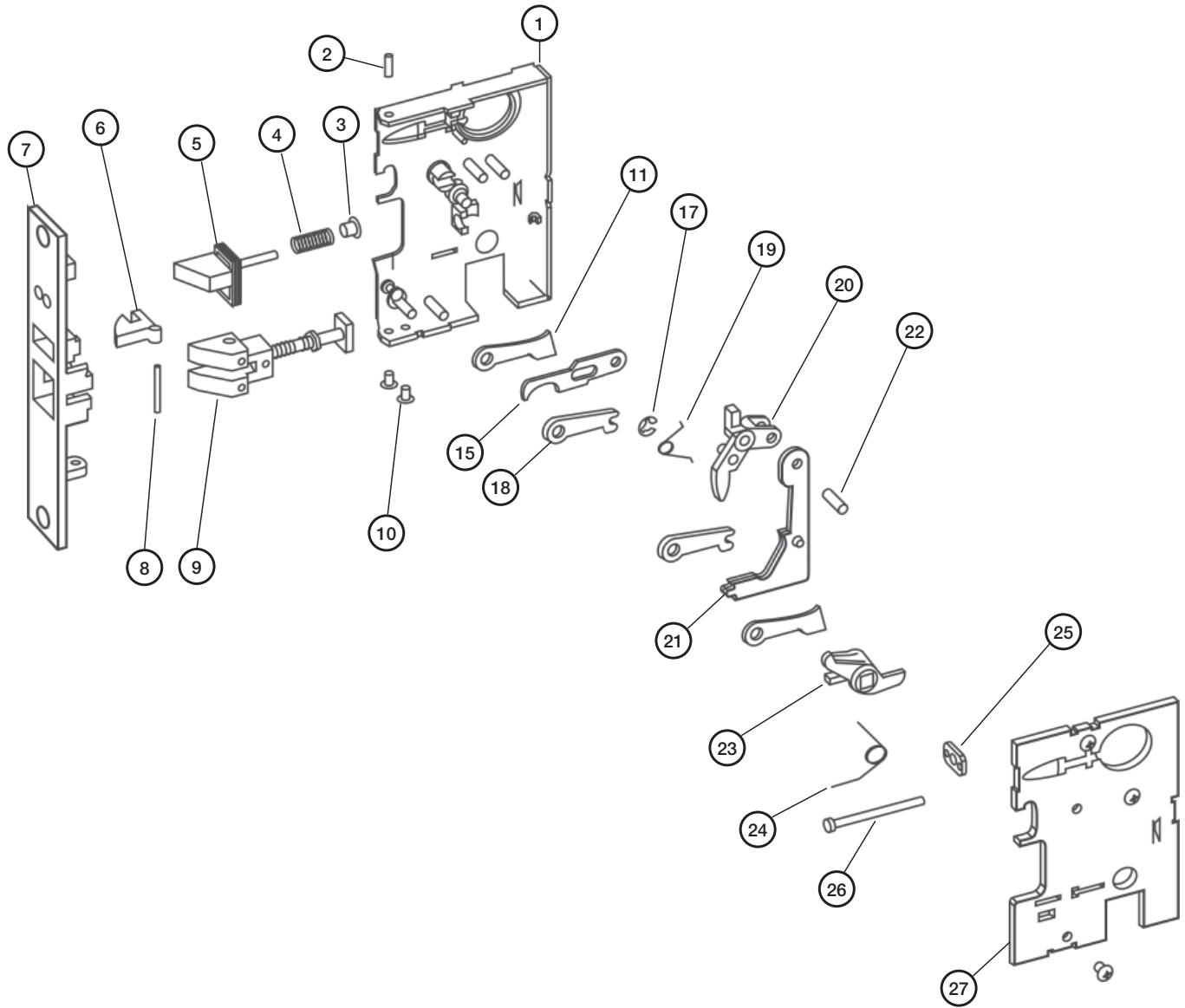
¹ Specify finish

² Use with 975 and 976 only

Note: Items 5 and 15 to be sold as a set only.

A8373-A 05/23

900 Series Mortise Locks
915, 975, 976, 943



Experience a safer
and more open world

The warranty on SARGENT® products becomes void if the product is modified in any way, regardless of whether the modification causes or contributes to any alleged defect. If a SARGENT product is modified it may no longer meet industry certification and quality control standards applicable to the original product and is no longer a genuine SARGENT product.

Copyright © 2023, SARGENT Manufacturing Company. All rights reserved. Reproduction in whole or in part without the express written permission of SARGENT Manufacturing Company is prohibited.

900 Series Mortise Locks
916



Item	Part No.	Description	Qty.	Sellable
1	99-2352	Case Assembly LHRB	1	No
	99-2351	Case Assembly RHRB		
2	01-0273	Roll Pin	1	Yes
3	99-0072	Guard Bolt Eyelet	1	Yes
4	99-0057	Guard Bolt Spring	1	Yes
5	99-0279	Guard Bolt Assembly LHRB	1	Yes
	99-0280	Guard Bolt Assembly RHRB	1	Yes
6	99-0075	Anti-Friction Latchbolt	1	Yes
7	99-0226	Front LHRB ¹	1	No
	99-0227	Front RHRB ¹	1	No
8	99-0098	Pivot Pin Anti-Friction Latchbolt	1	Yes
9	99-2247	Latchbolt Assembly	1	Yes
10	01-1142	Case Screw #8-32 x 1/4	5	Yes
11	99-0076	Slide Spacer	2	Yes
12	99-0208	Locking Lever	1	Yes
13	01-0074	Retaining Ring	1	Yes
14	77-1165	Spring Stop Works	2	Yes
15	99-0060	Guard Bolt Lever	1	Yes
16	77-1040	Button Tail Stop Works	1	No
17	01-0098	Retaining Ring	1	Yes
18	99-0058	Slide Guide	2	Yes
19	99-0063	Spring Guard Bolt Lever	1	Yes
20	99-2387	Latchbolt Lever Assembly LHRB	1	Yes
	99-2388	Latchbolt Lever Assembly RHRB	1	Yes
21	99-2059	Lever Slide Assembly	1	Yes
22	99-0212	Pivot Pin Lever Slide	1	Yes
23	99-0206	Knob Hub	1	Yes
24	99-0061	Spring Thumbpiece Lever	1	Yes
25	99-0236	Cylinder Screw Support	1	Yes
26	99-0078	Cylinder Set Screw	2	Yes
27	99-2361	Cap Assembly LHRB	1	No
	99-2362	Cap Assembly RHRB	1	No
28	13-2162	Cylinder Attachment	1	Yes

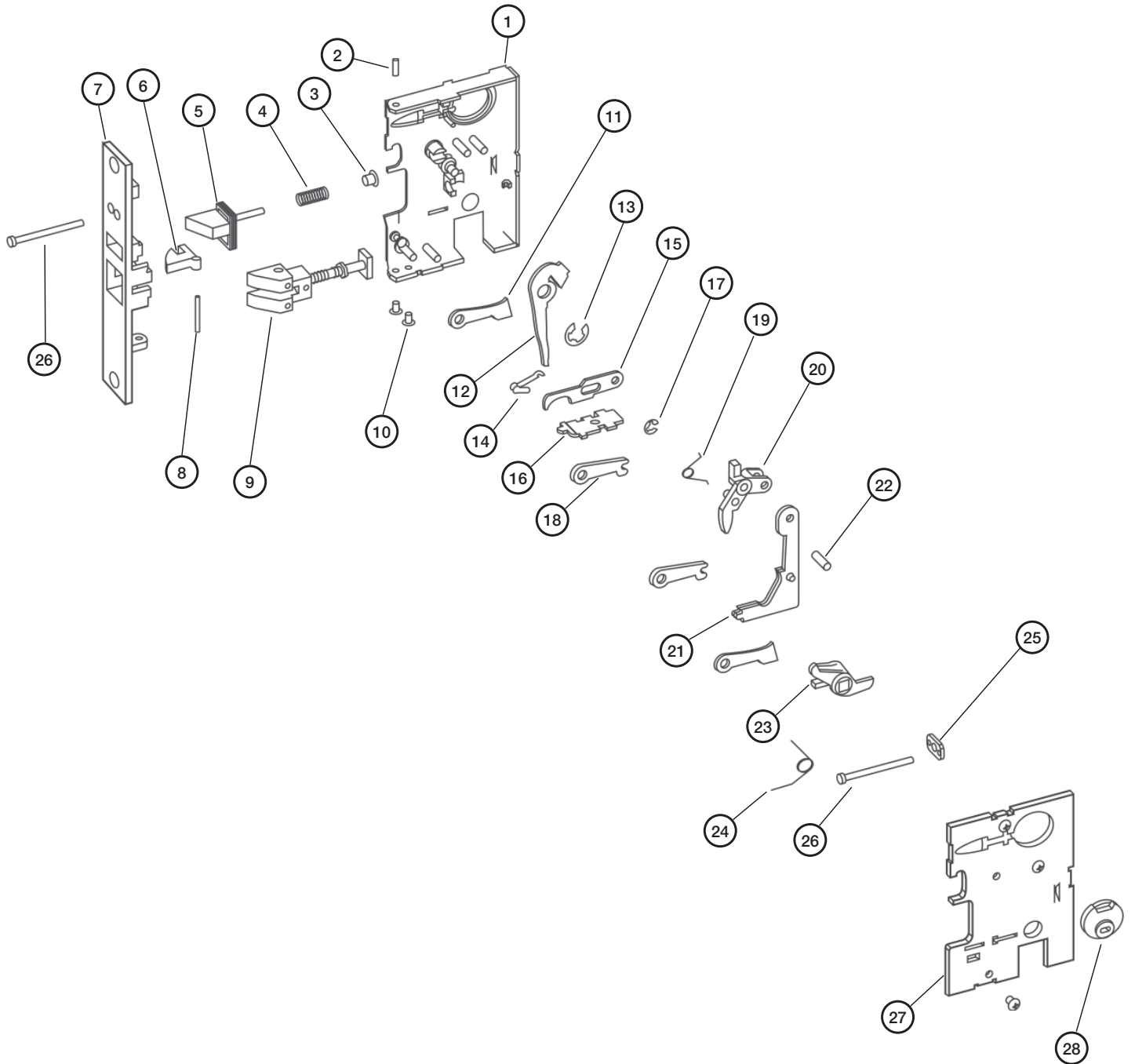
¹Specify finish

Note: Items 5 and 15 to be sold as a set only.

A8373-A 05/23

The warranty on SARGENT® products becomes void if the product is modified in any way, regardless of whether the modification causes or contributes to any alleged defect. If a SARGENT product is modified it may no longer meet industry certification and quality control standards applicable to the original product and is no longer a genuine SARGENT product.

Copyright © 2023, SARGENT Manufacturing Company. All rights reserved. Reproduction in whole or in part without the express written permission of SARGENT Manufacturing Company is prohibited.



**900 Series Mortise Locks
928**

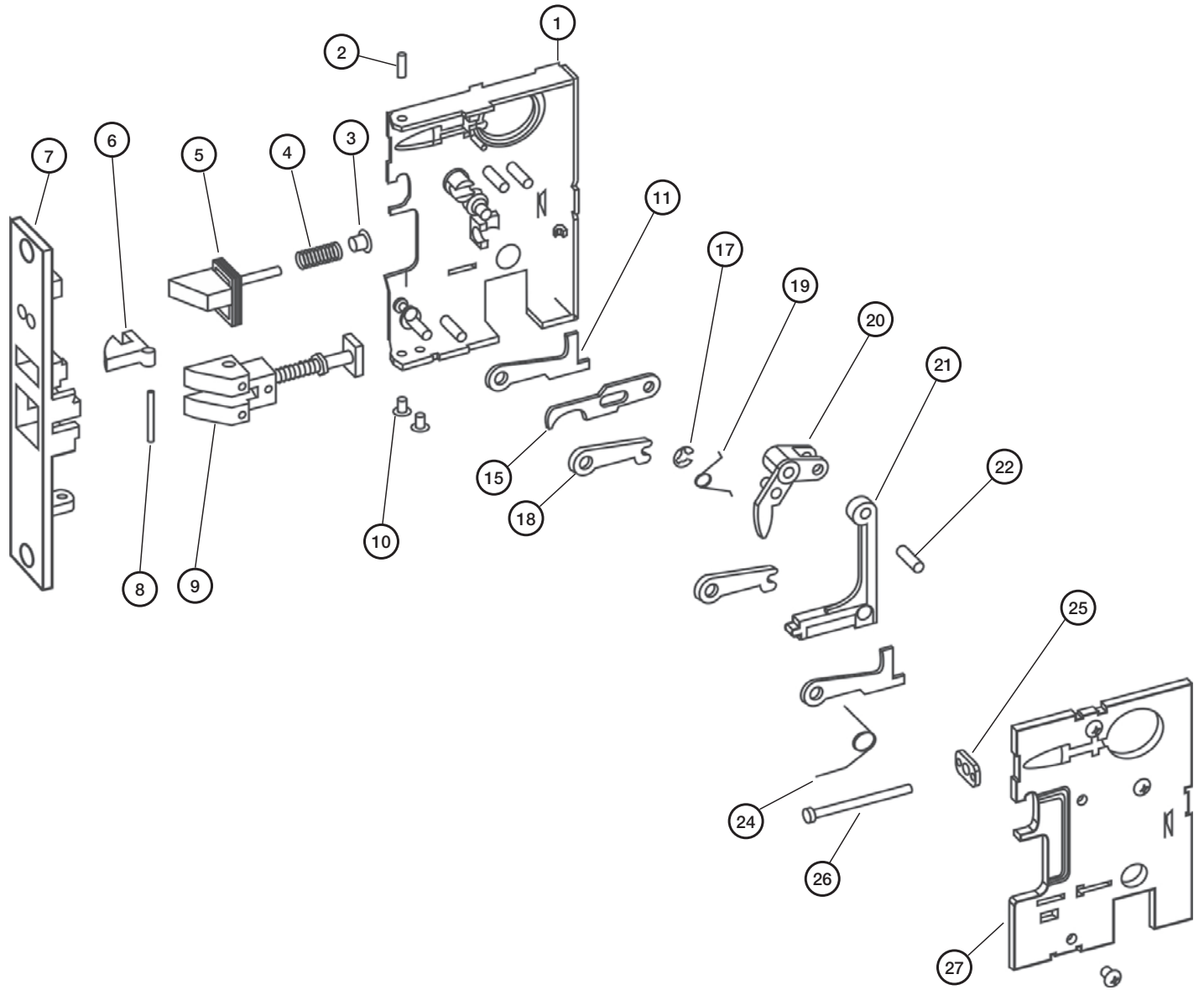


Item	Part No.	Description	Qty.	Sellable
1	99-2351	Case Assembly	1	No
2	01-0273	Roll Pin	1	Yes
3	99-0072	Guard Bolt Eyelet	1	Yes
4	99-0057	Guard Bolt Spring	1	Yes
5	99-0279	Guard Bolt Assembly LHRB	1	Yes
	99-0280	Guard Bolt Assembly RHRB	1	Yes
6	99-0075	Anti-Friction Latchbolt	1	Yes
7	99-0216	Front RHRB ¹	1	No
	99-0217	Front LHRB ¹	1	No
8	99-0098	Pivot Pin Anti-Friction Latchbolt	1	Yes
9	99-2247	Latchbolt Assembly	1	Yes
10	01-1142	Case Screw #8-32 x 1/4	5	Yes
11	99-0088	Thumb Piece Lever	2	Yes
15	99-0060	Guard Bolt Lever	1	Yes
17	01-0098	Retaining Ring	1	Yes
18	99-0058	Slide Guide	2	Yes
19	99-0063	Spring Guard Bolt Lever	1	Yes
20	99-2385	Latchbolt Lever Assembly	1	Yes
21	99-2050	Lever Slide Assembly	1	Yes
22	99-0212	Pivot Pin Lever Slide	1	Yes
24	99-0061	Spring Thumbpiece Lever	1	Yes
25	99-0236	Cylinder Screw Support	1	Yes
26	99-0078	Cylinder Set Screw	1	Yes
27	99-2361	Cap Assembly	1	No

¹Specify finish

Note: Items 5 and 15 to be sold as a set only.

A8373-A 05/23



Experience a safer
and more open world

The warranty on SARGENT® products becomes void if the product is modified in any way, regardless of whether the modification causes or contributes to any alleged defect. If a SARGENT product is modified it may no longer meet industry certification and quality control standards applicable to the original product and is no longer a genuine SARGENT product.

Copyright © 2023, SARGENT Manufacturing Company. All rights reserved. Reproduction in whole or in part without the express written permission of SARGENT Manufacturing Company is prohibited.

900 Series Mortise Locks
963

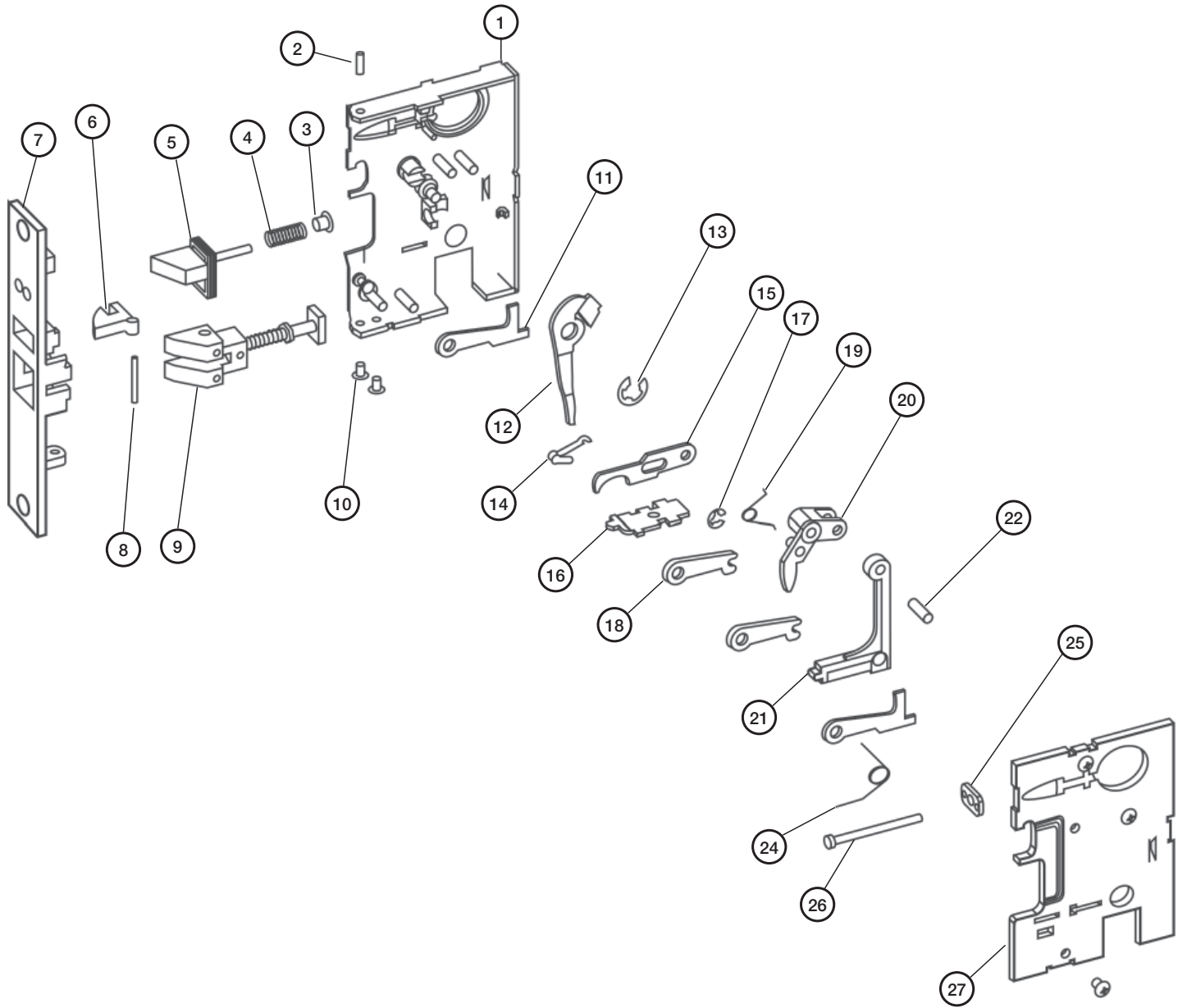


Item	Part No.	Description	Qty.	Sellable
1	99-2351	Case Assembly RHRB	1	No
	99-2352	Case Assembly LHRB	1	No
2	01-0273	Roll Pin	1	Yes
3	99-0072	Guard Bolt Eyelet	1	Yes
4	99-0057	Guard Bolt Spring	1	Yes
5	99-0279	Guard Bolt Assembly LHRB	1	Yes
	99-0280	Guard Bolt Assembly RHRB	1	Yes
6	99-0075	Anti-Friction Latchbolt	1	Yes
7	99-0216	Front RHRB ¹	1	No
	99-0217	Front LHRB ¹	1	No
8	99-0098	Pivot Pin Anti-Friction Latchbolt	1	Yes
9	99-2247	Latchbolt Assembly	1	Yes
10	01-1142	Case Screw #8-32 x 1/4	5	Yes
11	99-0088	Thumb Piece Lever	2	Yes
12	99-0208	Locking Lever	1	Yes
13	01-0074	Retaining Ring	1	Yes
14	77-1165	Spring Stop Works	2	Yes
15	99-0060	Guard Bolt Lever	1	Yes
16	77-1040	Button Tail Stop Works	1	No
17	01-0098	Retaining Ring	1	Yes
18	99-0058	Slide Guide	2	Yes
19	99-0063	Spring Guard Bolt Lever	1	Yes
20	99-2385	Latchbolt Lever Assembly	1	Yes
21	99-2050	Lever Slide Assembly	1	Yes
22	99-0212	Pivot Pin Lever Slide	1	Yes
24	99-0061	Spring Thumbpiece Lever	1	Yes
25	99-0236	Cylinder Screw Support	1	Yes
26	99-0078	Cylinder Set Screw	1	Yes
27	99-2361	Cap Assembly	1	No

¹Specify finish

Note: Items 5 and 15 to be sold as a set only.

A8373-A 05/23



Experience a safer
and more open world

The warranty on SARGENT® products becomes void if the product is modified in any way, regardless of whether the modification causes or contributes to any alleged defect. If a SARGENT product is modified it may no longer meet industry certification and quality control standards applicable to the original product and is no longer a genuine SARGENT product.

Copyright © 2023, SARGENT Manufacturing Company. All rights reserved. Reproduction in whole or in part without the express written permission of SARGENT Manufacturing Company is prohibited.

900 Series Mortise Locks
966



Item	Part No.	Description	Qty.	Sellable
1	99-2352	Case Assembly LHRB	1	No
	99-2351	Case Assembly RHRB	1	No
2	01-0273	Roll Pin	1	Yes
3	99-0072	Guard Bolt Eyelet	1	Yes
4	99-0057	Guard Bolt Spring	1	Yes
5	99-0279	Guard Bolt Assembly LHRB	1	Yes
	99-0280	Guard Bolt Assembly RHRB	1	Yes
6	99-0075	Anti-Friction Latchbolt	1	Yes
7	99-0216	Front RHRB ¹	1	No
	99-0217	Front LHRB ¹	1	No
8	99-0098	Pivot Pin Anti-Friction Latchbolt	1	Yes
9	99-2247	Latchbolt Assembly	1	Yes
10	01-1142	Case Screw #8-32 x 1/4	5	Yes
11	99-0088	Thumb Piece Lever	2	Yes
12	99-0208	Locking Lever	1	Yes
13	01-0074	Retaining Ring	1	Yes
14	77-1165	Spring Stop Works	2	Yes
15	99-0060	Guard Bolt Lever	1	Yes
16	77-1040	Button Tail Stop Works	1	No
17	01-0098	Retaining Ring	1	Yes
18	99-0058	Slide Guide	2	Yes
19	99-0063	Spring Guard Bolt Lever	1	Yes
20	99-2387	Latchbolt Lever Assembly LHRB	1	Yes
	99-2388	Latchbolt Lever Assembly RHRB	1	Yes
21	99-2050	Lever Slide Assembly	1	Yes
22	99-0212	Pivot Pin Lever Slide	1	Yes
24	99-0061	Spring Thumbpiece Lever	1	Yes
25	99-0236	Cylinder Screw Support	1	Yes
26	99-0078	Cylinder Set Screw	1	Yes
27	99-2361	Cap Assembly LHRB	1	No
	99-2362	Cap Assembly RHRB	1	No
28	13-2162	Cylinder Attachment	1	Yes

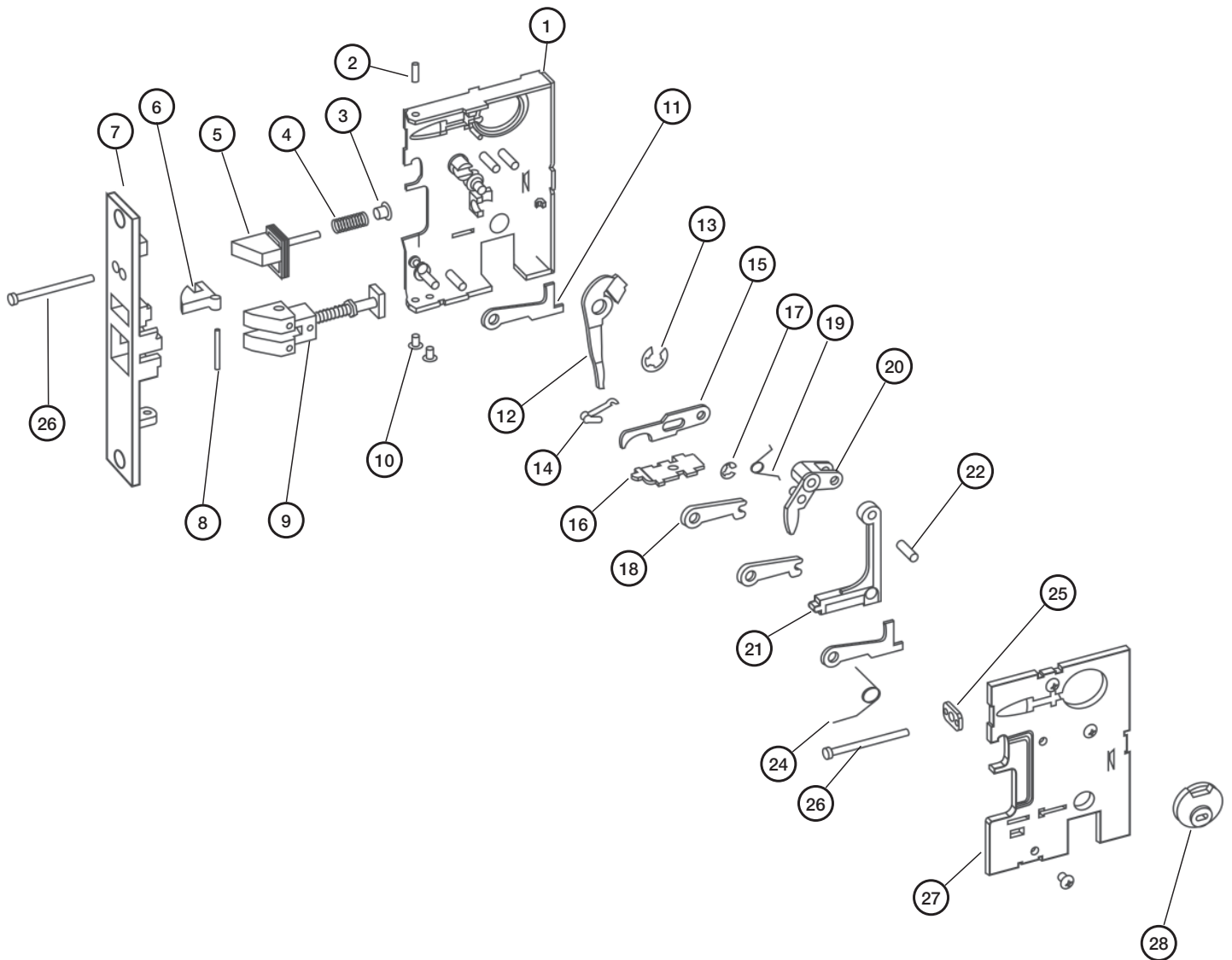
¹Specify finish

Note: Items 5 and 15 to be sold as a set only.

A8373-A 05/23

The warranty on SARGENT® products becomes void if the product is modified in any way, regardless of whether the modification causes or contributes to any alleged defect. If a SARGENT product is modified it may no longer meet industry certification and quality control standards applicable to the original product and is no longer a genuine SARGENT product.

Copyright © 2023, SARGENT Manufacturing Company. All rights reserved. Reproduction in whole or in part without the express written permission of SARGENT Manufacturing Company is prohibited.



12-
12-5CH-

Catalog #	Description	Option	Sellable
12-PE80W E x Fin	Wide Stile E Rail Assembly	Fire Rated	Yes
12-PE80W F x Fin	Wide Stile F Rail Assembly		Yes
12-PE80W J x Fin	Wide Stile J Rail Assembly		Yes
12-PE80W G x Fin	Wide Stile G Rail Assembly		Yes
12-PE80N E x Fin	Narrow Stile E Rail Assembly		Yes
12-PE80N F x Fin	Narrow Stile F Rail Assembly		Yes
12-PE80N J x Fin	Narrow Stile J Rail Assembly		Yes
12-PE80N G x Fin	Narrow Stile G Rail Assembly		Yes

Catalog #	Description	Option	Sellable
12-5CH-PE80W E x Fin	5CH- Wide Stile E Rail Assembly	Fire Rated, 5lb	Yes
12-5CH-PE80W F x Fin	5CH- Wide Stile F Rail Assembly		Yes
12-5CH-PE80W J x Fin	5CH- Wide Stile J Rail Assembly		Yes
12-5CH-PE80W G x Fin	5CH- Wide Stile G Rail Assembly		Yes
12-5CH-PE80N E x Fin	5CH- Narrow Stile E Rail Assembly		Yes
12-5CH-PE80N F x Fin	5CH- Narrow Stile F Rail Assembly		Yes
12-5CH-PE80N J x Fin	5CH- Narrow Stile J Rail Assembly		Yes
12-5CH-PE80N G x Fin	5CH- Narrow Stile G Rail Assembly		Yes

Catalog #	Description	Option	Sellable
PE-2004	Carrier Sub-Assembly Wide (E)	Fire Rated	Yes
PE-2005	Carrier Sub-Assembly Wide (F)		Yes
PE-2006	Carrier Sub-Assembly Wide (J)		Yes
PE-2007	Carrier Sub-Assembly Wide (G)		Yes
PE-2008	Carrier Sub-Assembly Narrow (E)		Yes
PE-2009	Carrier Sub-Assembly Narrow (F)		Yes
PE-2010	Carrier Sub-Assembly Narrow (J)		Yes
PE-2011	Carrier Sub-Assembly Narrow (G)		Yes

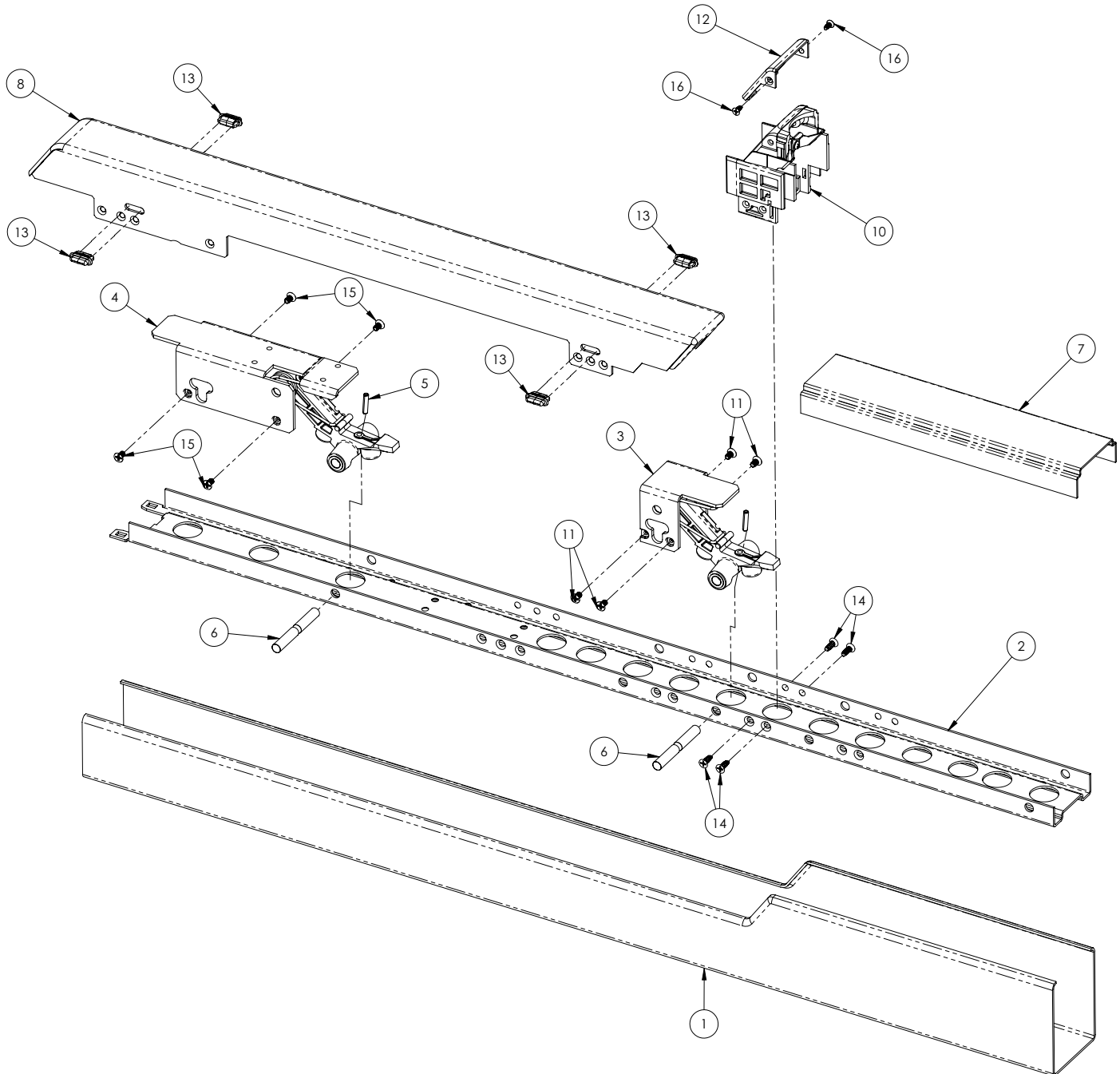
Catalog #	Description	Option	Sellable
PE-2088	5CH- Carrier Sub-Assembly Wide (E)	Fire Rated, 5lb	Yes
PE-2089	5CH- Carrier Sub-Assembly Wide (F)		Yes
PE-2090	5CH- Carrier Sub-Assembly Wide (J)		Yes
PE-2091	5CH- Carrier Sub-Assembly Wide (G)		Yes
PE-2092	5CH- Carrier Sub-Assembly Narrow (E)		Yes
PE-2093	5CH- Carrier Sub-Assembly Narrow (F)		Yes
PE-2094	5CH- Carrier Sub-Assembly Narrow (J)		Yes
PE-2095	5CH- Carrier Sub-Assembly Narrow (G)		Yes

Item	Catalog #	Part #	Description	Quantity	Sellable
1	See Chart Above	PE-0103 x Fin	PE Mount Rail Narrow (E)	1	Yes
		PE-0104 x Fin	PE Mount Rail Narrow (F)		Yes
		PE-0105 x Fin	PE Mount Rail Narrow (J)		Yes
		PE-0106 x Fin	PE Mount Rail Narrow (G)		Yes
		PE-0107 x Fin	PE Mount Rail Wide (E)		Yes
		PE-0108 x Fin	PE Mount Rail Wide (F)		Yes
		PE-0109 x Fin	PE Mount Rail Wide (J)		Yes
		PE-0110 x Fin	PE Mount Rail Wide (G)		Yes
2		PE-0120	PE Carrier Wide (E)	1	Yes
		PE-0121	PE Carrier Wide (F)		Yes
		PE-0122	PE Carrier Wide (J)		Yes
		PE-0123	PE Carrier Wide (G)		Yes
		PE-0124	PE Carrier Narrow (E)		Yes
		PE-0125	PE Carrier Narrow (F)		Yes
	PE-0126	PE Carrier Narrow (J)	Yes		
3	PE-2002	SA PE Rear Bracket (Standard)	1	Yes	
	PE-2084	SA PE Rear Bracket (5CH)		Yes	
4	PE-2003	SA PE Front Bracket (Standard)	1	Yes	
	PE-2085	SA PE Front Bracket (5CH)		Yes	
5	01-0696	Spirol Pin .0562 X .125	2	Yes	
6	PE-0077	Lower Pivot Pin	2	Yes	
7	PE-0112 x Fin	PE Rail Insert Wide (E)	1	Yes	
	PE-0113 x Fin	PE Rail Insert Wide (F)		Yes	
	PE-0114 x Fin	PE Rail Insert Wide (J)		Yes	
	PE-0115 x Fin	PE Rail Insert Wide (G)		Yes	
	PE-0116 x Fin	PE Rail Insert Narrow (E)		Yes	
	PE-0117 x Fin	PE Rail Insert Narrow (F)		Yes	
	PE-0118 x Fin	PE Rail Insert Narrow (J)		Yes	
	PE-0119 x Fin	PE Rail Insert Narrow (G)		Yes	
	8	PE-0032 x Fin		PE Push Body (E)	1
PE-0033 x Fin		PE Push Body (F)	Yes		
PE-0034 x Fin		PE Push Body (J)	Yes		
PE-0035 x Fin		PE Push Body (G)	Yes		
9	PE-2014	SA Dogging Slope	1	Yes	
10	PE-0351 x Fin	PE Dogging Slope Scalp, Sar (Blank)	1	Yes	
11	PE-0337	PE Wear Guide Snap-In	4	Yes	
12	01-4608	PFHS Plastitie #6-19 X 3/8	4	Yes	
13	01-4607	FHPMS #6-32 X 1/4	8	Yes	
14	01-4617	PPHS #4-20 X 1/4	2	Yes	

Related Options
12- 53-
12- 53-56-
12- 55-
12- 53- 55-
12- 58-
12- 53- 58-
12- AL-
12- 53- AL-
12- 53- 55- AL-
12- FM-

The warranty on SARGENT® products becomes void if the product is modified in any way, regardless of whether the modification causes or contributes to any alleged defect. If a SARGENT product is modified it may no longer meet industry certification and quality control standards applicable to the original product and is no longer a genuine SARGENT product.

Copyright © 2023, SARGENT Manufacturing Company. All rights reserved. Reproduction in whole or in part without the express written permission of SARGENT Manufacturing Company is prohibited.



Assembly 12-PE80W F

How To Order Rail Assemblies				
Options	Series	Wide or Narrow Stile	Rail Length	Finish
12- 53-	PE80	W	F	32D

Experience a safer
 and more open world

The warranty on SARGENT® products becomes void if the product is modified in any way, regardless of whether the modification causes or contributes to any alleged defect. If a SARGENT product is modified it may no longer meet industry certification and quality control standards applicable to the original product and is no longer a genuine SARGENT product.

Copyright © 2023, SARGENT Manufacturing Company. All rights reserved. Reproduction in whole or in part without the express written permission of SARGENT Manufacturing Company is prohibited.

PE80 Series Rail Assemblies

56-

12- 56-

12-56-5CH-

SARGENT®

ASSA ABLOY

Catalog #	Description	Option	Sellable
56-PE80W E x Fin	Wide Stile E Rail Assembly	ELR (STD & Fire Rated)	Yes
56-PE80W F x Fin	Wide Stile F Rail Assembly		Yes
56-PE80W J x Fin	Wide Stile J Rail Assembly		Yes
56-PE80W G x Fin	Wide Stile G Rail Assembly		Yes
56-PE80N E x Fin	Narrow Stile E Rail Assembly		Yes
56-PE80N F x Fin	Narrow Stile F Rail Assembly		Yes
56-PE80N J x Fin	Narrow Stile J Rail Assembly		Yes
56-PE80N G x Fin	Narrow Stile G Rail Assembly		Yes

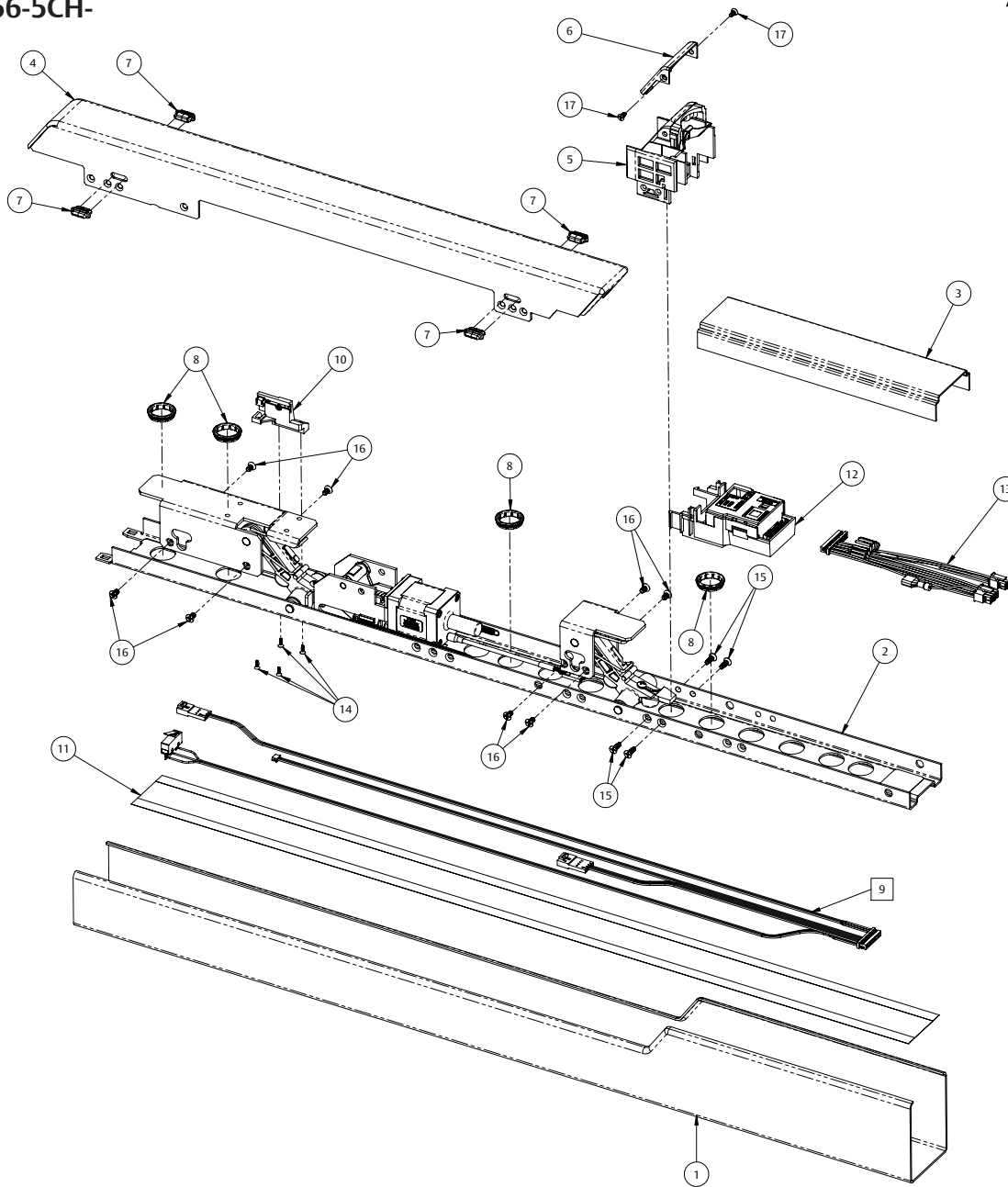
Catalog #	Description	Option	Sellable
56-5CH-PE80W E x Fin	5CH- Wide Stile E Rail Assembly	ELR, 5LB (STD & Fire Rated)	Yes
56-5CH-PE80W F x Fin	5CH- Wide Stile F Rail Assembly		Yes
56-5CH-PE80W J x Fin	5CH- Wide Stile J Rail Assembly		Yes
56-5CH-PE80W G x Fin	5CH- Wide Stile G Rail Assembly		Yes
56-5CH-PE80N E x Fin	5CH- Narrow Stile E Rail Assembly		Yes
56-5CH-PE80N F x Fin	5CH- Narrow Stile F Rail Assembly		Yes
56-5CH-PE80N J x Fin	5CH- Narrow Stile J Rail Assembly		Yes
56-5CH-PE80N G x Fin	5CH- Narrow Stile G Rail Assembly		Yes

Item	Catalog #	Part #	Description	Qty	Sellable	
1	See Chart Above	PE-0107 x Fin	PE Mount Rail Wide (E)*	1	Yes	
		PE-0108 x Fin	PE Mount Rail Wide (F)*		Yes	
		PE-0109 x Fin	PE Mount Rail Wide (J)*		Yes	
		PE-0110 x Fin	PE Mount Rail Wide (G)*		Yes	
		PE-0103 x Fin	PE Mount Rail Narrow (E)*		Yes	
		PE-0104 x Fin	PE Mount Rail Narrow (F)*		Yes	
		PE-0105 x Fin	PE Mount Rail Narrow (J)*		Yes	
2	See Chart Above	PE-0106 x Fin	PE Mount Rail Narrow (G)*	1	Yes	
		PE-2097	56- Carrier Sub-Assembly Wide (E)		Yes	
		PE-2098	56- Carrier Sub-Assembly Wide (F)		Yes	
		PE-2099	56- Carrier Sub-Assembly Wide (J)		Yes	
		PE-2100	56- Carrier Sub-Assembly Wide (G)		Yes	
		PE-2101	56- Carrier Sub-Assembly Narrow (E)		Yes	
		PE-2102	56- Carrier Sub-Assembly Narrow (F)		Yes	
		PE-2103	56- Carrier Sub-Assembly Narrow (J)		Yes	
		PE-2104	56- Carrier Sub-Assembly Narrow (G)		Yes	
		PE-2106	5CH-56- Carrier Sub-Assembly Wide (E)		Yes	
		PE-2107	5CH-56- Carrier Sub-Assembly Wide (F)		Yes	
		PE-2108	5CH-56- Carrier Sub-Assembly Wide (J)		Yes	
		PE-2109	5CH-56- Carrier Sub-Assembly Wide (G)		Yes	
3	See Chart Above	PE-2110	5CH-56- Carrier Sub-Assembly Narrow (E)	1	Yes	
		PE-2111	5CH-56- Carrier Sub-Assembly Narrow (F)		Yes	
		PE-2112	5CH-56- Carrier Sub-Assembly Narrow (J)		Yes	
		PE-2113	5CH-56- Carrier Sub-Assembly Narrow (G)		Yes	
		PE-0112 x Fin	PE Rail Insert Wide (E)*		1	Yes
		PE-0113 x Fin	PE Rail Insert Wide (F)*			Yes
		PE-0114 x Fin	PE Rail Insert Wide (J)*			Yes
PE-0115 x Fin	PE Rail Insert Wide (G)*	Yes				
PE-0116 x Fin	PE Rail Insert Narrow (E)*	Yes				
PE-0117 x Fin	PE Rail Insert Narrow (F)*	Yes				
PE-0118 x Fin	PE Rail Insert Narrow (J)*	Yes				
4	See Chart Above	PE-0119 x Fin	PE Rail Insert Narrow (G)*	1	Yes	
		PE-0032 x Fin	PE Push Body (E)*		Yes	
		PE-0033 x Fin	PE Push Body (F)*		Yes	
		PE-0034 x Fin	PE Push Body (J)*		Yes	
5	See Chart Above	PE-0035 x Fin	PE Push Body (G)*	1	Yes	
6	See Chart Above	PE-2014	Dogging Slope Sub-Assembly	1	Yes	
7	See Chart Above	PE-0351 x Fin	Dogging Slope Scalp (Blank)*	1	Yes	
8	See Chart Above	PE-0337	Snap-In Wear Guide	4	Yes	
9	See Chart Above	PE-0336	Wire Grommet	3	Yes	
9	See Chart Above	52-6089	56- Wire Harness (E/F)	1	Yes	
		52-6090	56- Wire Harness (J/G)		Yes	
10	See Chart Above	52-6159	Hall Effect Board & Holder Sub-Assembly	1	Yes	
11	See Chart Above	PE-0375	Wire Shield	1	Yes	
12	See Chart Above	52-6160	56- Motor Controller Sub-Assembly	1	Yes	
13	See Chart Above	52-6125	E-Lynx Harness	1	Yes	
14	See Chart Above	01-9611	#2-28 X 1/4" TORX Flat Head Plastite Screw	2	Yes	
15	See Chart Above	01-4608	#6-19 X 3/8" Phillips Flat Head Plastite Screw	4	Yes	
16	See Chart Above	01-4607	#6-32 X 1/4" Phillips Flat Head U'cut Machine Screw	8	Yes	
17	See Chart Above	01-4617	#4-20 X 1/4" Phillips Flat Head U'cut Plastite Screw	2	Yes	

A8373-A 05/23

The warranty on SARGENT® products becomes void if the product is modified in any way, regardless of whether the modification causes or contributes to any alleged defect. If a SARGENT product is modified it may no longer meet industry certification and quality control standards applicable to the original product and is no longer a genuine SARGENT product.

PE80 Series Rail Assemblies
 56-
 12-56-
 12-56-5CH-



Assembly 56-PE80W F Shown Above

Related Options
53-56-
53-56-HK-
53-55-56-
53-55-56-HK
55-56-
55-56-HK
5CH-53-56-
5CH-53-56-HK
5CH-53-55-56-
5CH-53-55-56-HK
5CH-55-56-
5CH-55-56-HK
FM-56-
FM-56-HK

How To Order Rail Assemblies				
Options	Series	Wide or Narrow Stile	Rail Length	Finish
53-56-	PE80	W	F	32D

Experience a safer
 and more open world

The warranty on SARGENT® products becomes void if the product is modified in any way, regardless of whether the modification causes or contributes to any alleged defect. If a SARGENT product is modified it may no longer meet industry certification and quality control standards applicable to the original product and is no longer a genuine SARGENT product.

Copyright © 2023, SARGENT Manufacturing Company. All rights reserved. Reproduction in whole or in part without the express written permission of SARGENT Manufacturing Company is prohibited.

PE80 Series Rail Assemblies
12-59-
59-



Catalog #	Description	Option	Sellable
59-PE80W E x Fin	Wide Stile E Rail Assembly	Delayed Egress	Yes
59-PE80W F x Fin	Wide Stile F Rail Assembly		Yes
59-PE80W J x Fin	Wide Stile J Rail Assembly		Yes
59-PE80W G x Fin	Wide Stile G Rail Assembly		Yes
59-PE80N E x Fin	Narrow Stile E Rail Assembly		Yes
59-PE80N F x Fin	Narrow Stile F Rail Assembly		Yes
59-PE80N J x Fin	Narrow Stile J Rail Assembly		Yes
59-PE80N G x Fin	Narrow Stile G Rail Assembly		Yes

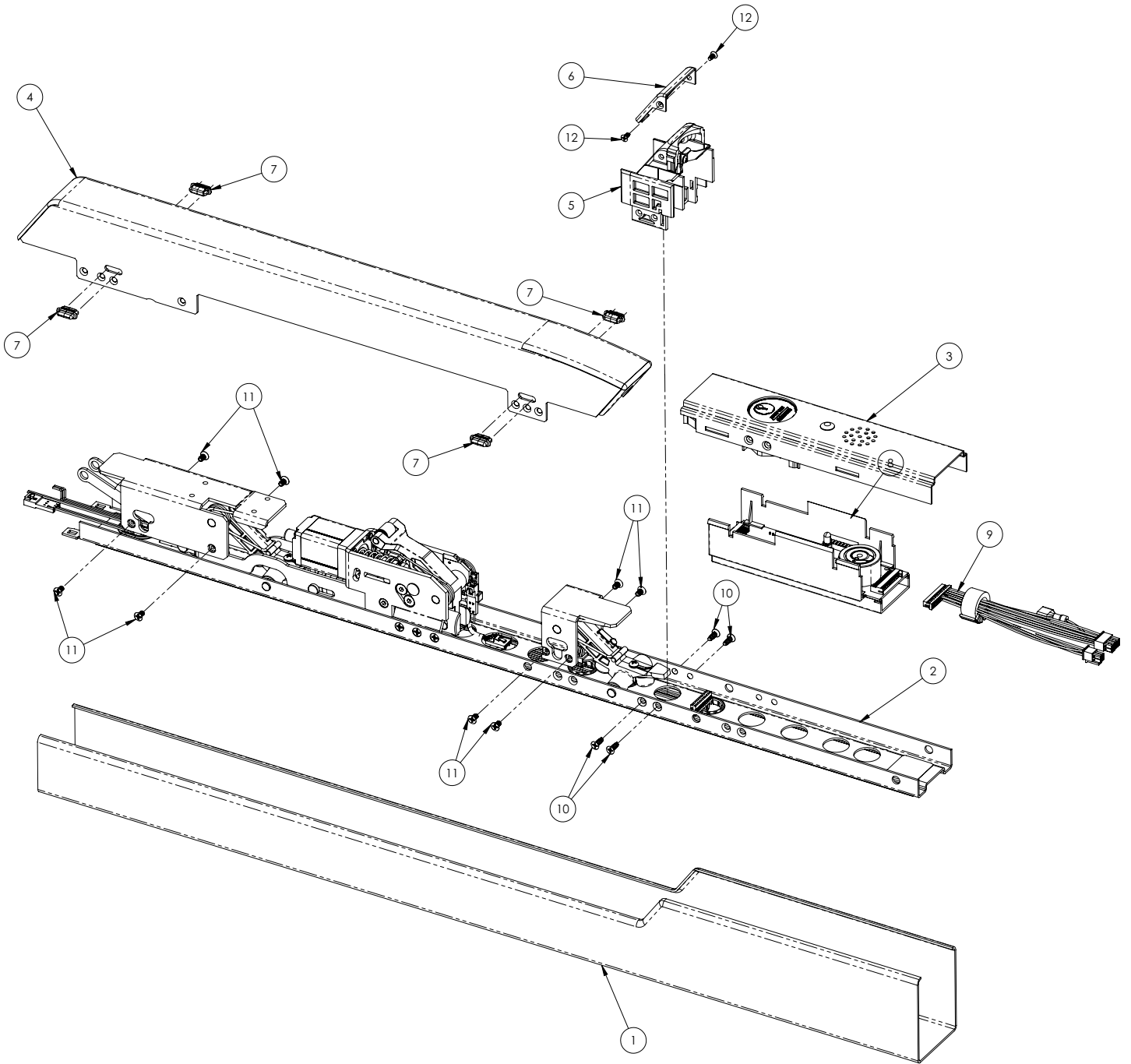
Catalog #	Description	Option	Sellable
12-59-PE80W E x Fin	Wide Stile E Rail Assembly	Delayed Egress	Yes
12-59-PE80W F x Fin	Wide Stile F Rail Assembly		Yes
12-59-PE80W J x Fin	Wide Stile J Rail Assembly		Yes
12-59-PE80W G x Fin	Wide Stile G Rail Assembly		Yes
12-59-PE80N E x Fin	Narrow Stile E Rail Assembly		Yes
12-59-PE80N F x Fin	Narrow Stile F Rail Assembly		Yes
12-59-PE80N J x Fin	Narrow Stile J Rail Assembly		Yes
12-59-PE80N G x Fin	Narrow Stile G Rail Assembly		Yes

Item	Catalog #	Part #	Description	Quantity	Sellable
1		PE-0103 x Fin	PE Mount Rail Narrow (E)	1	Yes
		PE-0104 x Fin	PE Mount Rail Narrow (F)		Yes
		PE-0105 x Fin	PE Mount Rail Narrow (J)		Yes
		PE-0106 x Fin	PE Mount Rail Narrow (G)		Yes
		PE-0107 x Fin	PE Mount Rail Wide (E)		Yes
		PE-0108 x Fin	PE Mount Rail Wide (F)		Yes
		PE-0109 x Fin	PE Mount Rail Wide (J)		Yes
		PE-0110 x Fin	PE Mount Rail Wide (G)		Yes
2		PE-2134	DEED Carrier Sub-Assembly Wide (E)	1	Yes
		PE-2135	DEED Carrier Sub-Assembly Wide (F)		Yes
		PE-2136	DEED Carrier Sub-Assembly Wide (J)		Yes
		PE-2137	DEED Carrier Sub-Assembly Wide (G)		Yes
		PE-2138	DEED Carrier Sub-Assembly Narrow (E)		Yes
		PE-2139	DEED Carrier Sub-Assembly Narrow (F)		Yes
		PE-2140	DEED Carrier Sub-Assembly Narrow (J)		Yes
3	See Chart Above	PE-2141	DEED Carrier Sub-Assembly Narrow (G)	1	Yes
		PE-2125 x Fin	DEED PE Rail Insert Wide (E)		Yes
		PE-2126 x Fin	DEED PE Rail Insert Wide (F)		Yes
		PE-2127 x Fin	DEED PE Rail Insert Wide (J)		Yes
		PE-2128 x Fin	DEED PE Rail Insert Wide (G)		Yes
		PE-2129 x Fin	DEED PE Rail Insert Narrow (E)		Yes
		PE-2130 x Fin	DEED PE Rail Insert Narrow (F)		Yes
4		PE-2131 x Fin	DEED PE Rail Insert Narrow (J)	1	Yes
		PE-2132 x Fin	DEED PE Rail Insert Narrow (G)		Yes
		PE-0165 x Fin	PE 59- Push Body (E)		Yes
		PE-0166 x Fin	PE 59- Push Body (F)		Yes
5		PE-0167 x Fin	PE 59- Push Body (J)	1	Yes
6		PE-0168 x Fin	PE 59- Push Body (G)	1	Yes
7		PE-2014	SA Dogging Slope		Yes
8		PE-0351 x Fin	PE Dogging Slope Scalp, Sar (Blank)		Yes
9		PE-0337	PE Wear Guide Snap-In		Yes
10		52-6127	DEED PCB MODULE SA		Yes
11		52-6124	E-LYNX HARNESS		Yes
12		01-4608	PFHS Plastitie #6-19 X 3/8	4	Yes
		01-4607	FHPMS #6-32 X 1/4	8	Yes
		01-4617	PPHS #4-20 X 1/4	2	Yes

Related Options
59- HK-
59- HK- 18-
59- PL-

A8373-A 05/23

The warranty on SARGENT® products becomes void if the product is modified in any way, regardless of whether the modification causes or contributes to any alleged defect. If a SARGENT product is modified it may no longer meet industry certification and quality control standards applicable to the original product and is no longer a genuine SARGENT product.



Assembly 59-PE80W F Shown Above

How To Order Rail Assemblies				
Options	Series	Wide or Narrow Stile	Rail Length	Finish
53-59-	PE80	W	F	32D

Experience a safer
and more open world

The warranty on SARGENT® products becomes void if the product is modified in any way, regardless of whether the modification causes or contributes to any alleged defect. If a SARGENT product is modified it may no longer meet industry certification and quality control standards applicable to the original product and is no longer a genuine SARGENT product.

Copyright © 2023, SARGENT Manufacturing Company. All rights reserved. Reproduction in whole or in part without the express written permission of SARGENT Manufacturing Company is prohibited.

PE80 Series Rail Assemblies
Standard-Non-Fire Rated



Catalog #	Description	Option	Sellable
PE80W E x Fin	Wide Stile E Rail Assembly	Standard Rails	Yes
PE80W F x Fin	Wide Stile F Rail Assembly		Yes
PE80W J x Fin	Wide Stile J Rail Assembly		Yes
PE80W G x Fin	Wide Stile G Rail Assembly		Yes
PE80N E x Fin	Narrow Stile E Rail Assembly		Yes
PE80N F x Fin	Narrow Stile F Rail Assembly		Yes
PE80N J x Fin	Narrow Stile J Rail Assembly		Yes
PE80N G x Fin	Narrow Stile G Rail Assembly		Yes

Catalog #	Description	Option	Sellable
5CH-PE80W E x Fin	5CH- Wide Stile E Rail Assembly	Standard Rails 5lb	Yes
5CH-PE80W F x Fin	5CH- Wide Stile F Rail Assembly		Yes
5CH-PE80W J x Fin	5CH- Wide Stile J Rail Assembly		Yes
5CH-PE80W G x Fin	5CH- Wide Stile G Rail Assembly		Yes
5CH-PE80N E x Fin	5CH- Narrow Stile E Rail Assembly		Yes
5CH-PE80N F x Fin	5CH- Narrow Stile F Rail Assembly		Yes
5CH-PE80N J x Fin	5CH- Narrow Stile J Rail Assembly		Yes
5CH-PE80N G x Fin	5CH- Narrow Stile G Rail Assembly		Yes

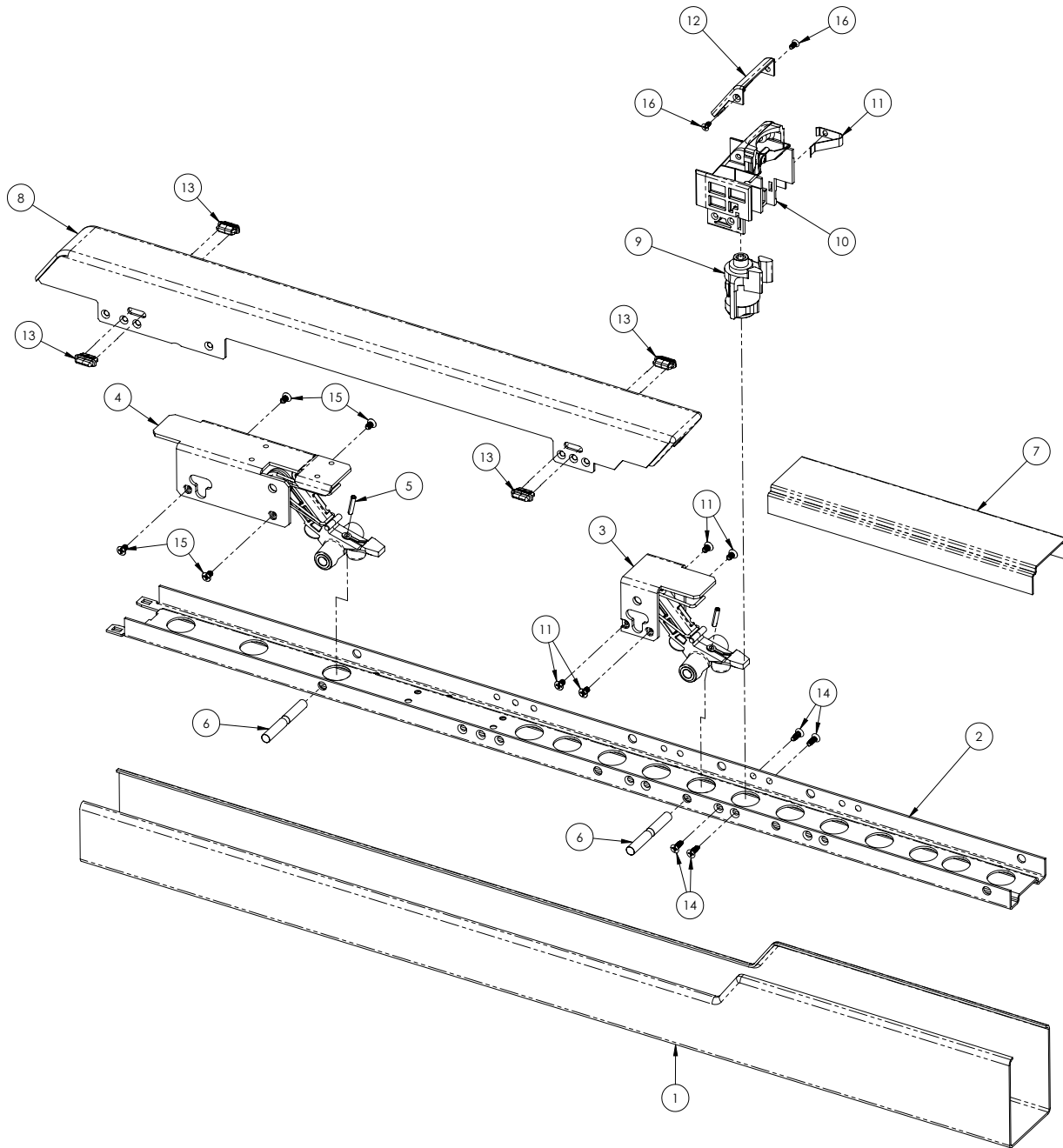
Catalog #	Description	Option	Sellable
PE-2004	Carrier Sub-Assembly Wide (E)	Standard Carrier	Yes
PE-2005	Carrier Sub-Assembly Wide (F)		Yes
PE-2006	Carrier Sub-Assembly Wide (J)		Yes
PE-2007	Carrier Sub-Assembly Wide (G)		Yes
PE-2008	Carrier Sub-Assembly Narrow (E)		Yes
PE-2009	Carrier Sub-Assembly Narrow (F)		Yes
PE-2010	Carrier Sub-Assembly Narrow (J)		Yes
PE-2011	Carrier Sub-Assembly Narrow (G)		Yes

Catalog #	Description	Option	Sellable
PE-2088	5CH- Carrier Sub-Assembly Wide (E)	Standard Carrier 5lb	
PE-2089	5CH- Carrier Sub-Assembly Wide (F)		
PE-2090	5CH- Carrier Sub-Assembly Wide (J)		
PE-2091	5CH- Carrier Sub-Assembly Wide (G)		
PE-2092	5CH- Carrier Sub-Assembly Narrow (E)		
PE-2093	5CH- Carrier Sub-Assembly Narrow (F)		
PE-2094	5CH- Carrier Sub-Assembly Narrow (J)		
PE-2095	5CH- Carrier Sub-Assembly Narrow (G)		

Item	Catalog #	Part #	Description	Quantity	Sellable
1		PE-0103 x Fin	PE Mount Rail Narrow (E)	1	Yes
		PE-0104 x Fin	PE Mount Rail Narrow (F)		Yes
		PE-0105 x Fin	PE Mount Rail Narrow (J)		Yes
		PE-0106 x Fin	PE Mount Rail Narrow (G)		Yes
		PE-0107 x Fin	PE Mount Rail Wide (E)		Yes
		PE-0108 x Fin	PE Mount Rail Wide (F)		Yes
		PE-0109 x Fin	PE Mount Rail Wide (J)		Yes
		PE-0110 x Fin	PE Mount Rail Wide (G)		Yes
2		PE-0120	PE Carrier Wide (E)	1	Yes
		PE-0121	PE Carrier Wide (F)		Yes
		PE-0122	PE Carrier Wide (J)		Yes
		PE-0123	PE Carrier Wide (G)		Yes
		PE-0124	PE Carrier Narrow (E)		Yes
		PE-0125	PE Carrier Narrow (F)		Yes
		PE-0126	PE Carrier Narrow (J)		Yes
		PE-0127	PE Carrier Narrow (G)		Yes
3	See Chart Above	PE-2002	SA PE Rear Bracket (Standard)	1	Yes
PE-2084		SA PE Rear Bracket (5CH)	1	Yes	
4	See Chart Above	PE-2003	SA PE Front Bracket (Standard)	1	Yes
PE-2085		SA PE Front Bracket (5CH)	1	Yes	
5		01-0696	Spirol Pin .0562 X .125	2	Yes
6		PE-0077	Lower Pivot Pin	2	Yes
7		PE-0112 x Fin	PE Rail Insert Wide (E)	1	Yes
		PE-0113 x Fin	PE Rail Insert Wide (F)		Yes
		PE-0114 x Fin	PE Rail Insert Wide (J)		Yes
		PE-0115 x Fin	PE Rail Insert Wide (G)		Yes
		PE-0116 x Fin	PE Rail Insert Narrow (E)		Yes
		PE-0117 x Fin	PE Rail Insert Narrow (F)		Yes
		PE-0118 x Fin	PE Rail Insert Narrow (J)		Yes
		PE-0119 x Fin	PE Rail Insert Narrow (G)		Yes
8		PE-0032 x Fin	PE Push Body (E)	1	Yes
		PE-0033 x Fin	PE Push Body (F)		Yes
		PE-0034 x Fin	PE Push Body (J)		Yes
		PE-0035 x Fin	PE Push Body (G)		Yes
9		PE-2000	SA PE Dogging Hex and Cam	1	Yes
10		PE-2014	SA Dogging Slope	1	Yes
11		PE-0206	Cylinder Dogging Slope		
12		PE-0153 x Fin	PE Dogging Slope Scalp, Sar	1	Yes
13		PE-0337	PE Wear Guide Snap-In	4	Yes
14		01-4608	PFHS Plastitie #6-19 X 3/8	4	Yes
15		01-4607	FHPMS #6-32 X 1/4	8	Yes
16		01-4617	PPHS #4-20 X 1/4	2	Yes

Related Options
AL-
53- AL-
55- AL-
53- 55- AL-
53-55-ERM-AL-
53-
53- 55-
55-
55- ERM-
53- 5CH-
55- 5CH-
53- 55- 5CH-
LD-
PL-
18-
18- FM-
FM-
53- FM-
53- 55- FM-

The warranty on SARGENT® products becomes void if the product is modified in any way, regardless of whether the modification causes or contributes to any alleged defect. If a SARGENT product is modified it may no longer meet industry certification and quality control standards applicable to the original product and is no longer a genuine SARGENT product.



Assembly PE80W F Shown Above

How To Order Rail Assemblies				
Options	Series	Wide or Narrow Stile	Rail Length	Finish
53-55-	PE80	W	F	32D

Experience a safer
and more open world

The warranty on SARGENT® products becomes void if the product is modified in any way, regardless of whether the modification causes or contributes to any alleged defect. If a SARGENT product is modified it may no longer meet industry certification and quality control standards applicable to the original product and is no longer a genuine SARGENT product.

Copyright © 2023, SARGENT Manufacturing Company. All rights reserved. Reproduction in whole or in part without the express written permission of SARGENT Manufacturing Company is prohibited.

PE80 Series Rail Assemblies

16-
16-5CH-



Catalog #	Description	Option	Sellable
16-PE80W E x Fin	Wide Stile E Rail Assembly*	Cylinder Dogging	Yes
16-PE80W F x Fin	Wide Stile F Rail Assembly*		Yes
16-PE80W J x Fin	Wide Stile J Rail Assembly*		Yes
16-PE80W G x Fin	Wide Stile G Rail Assembly*		Yes
16-PE80N E x Fin	Narrow Stile E Rail Assembly*		Yes
16-PE80N F x Fin	Narrow Stile F Rail Assembly*		Yes
16-PE80N J x Fin	Narrow Stile J Rail Assembly*		Yes
16-PE80N G x Fin	Narrow Stile G Rail Assembly*		Yes

Catalog #	Description	Option	Sellable	
PE-2004	Carrier Sub-Assembly Wide (E)	Cylinder Dogging	Yes	
PE-2005	Carrier Sub-Assembly Wide (F)		Yes	
PE-2006	Carrier Sub-Assembly Wide (J)		Yes	
PE-2007	Carrier Sub-Assembly Wide (G)		Yes	
PE-2008	Carrier Sub-Assembly Narrow (E)		Yes	
PE-2009	Carrier Sub-Assembly Narrow (F)		Yes	
PE-2010	Carrier Sub-Assembly Narrow (J)		Yes	
PE-2011	Carrier Sub-Assembly Narrow (G)		Yes	
PE-2088	5CH- Carrier Sub-Assembly Wide (E)		16-5CH- (Cylinder Dogging, 5lb)	Yes
PE-2089	5CH- Carrier Sub-Assembly Wide (F)			Yes
PE-2090	5CH- Carrier Sub-Assembly Wide (J)	Yes		
PE-2091	5CH- Carrier Sub-Assembly Wide (G)	Yes		
PE-2092	5CH- Carrier Sub-Assembly Narrow (E)	Yes		
PE-2093	5CH- Carrier Sub-Assembly Narrow (F)	Yes		
PE-2094	5CH- Carrier Sub-Assembly Narrow (J)	Yes		
PE-2095	5CH- Carrier Sub-Assembly Narrow (G)	Yes		

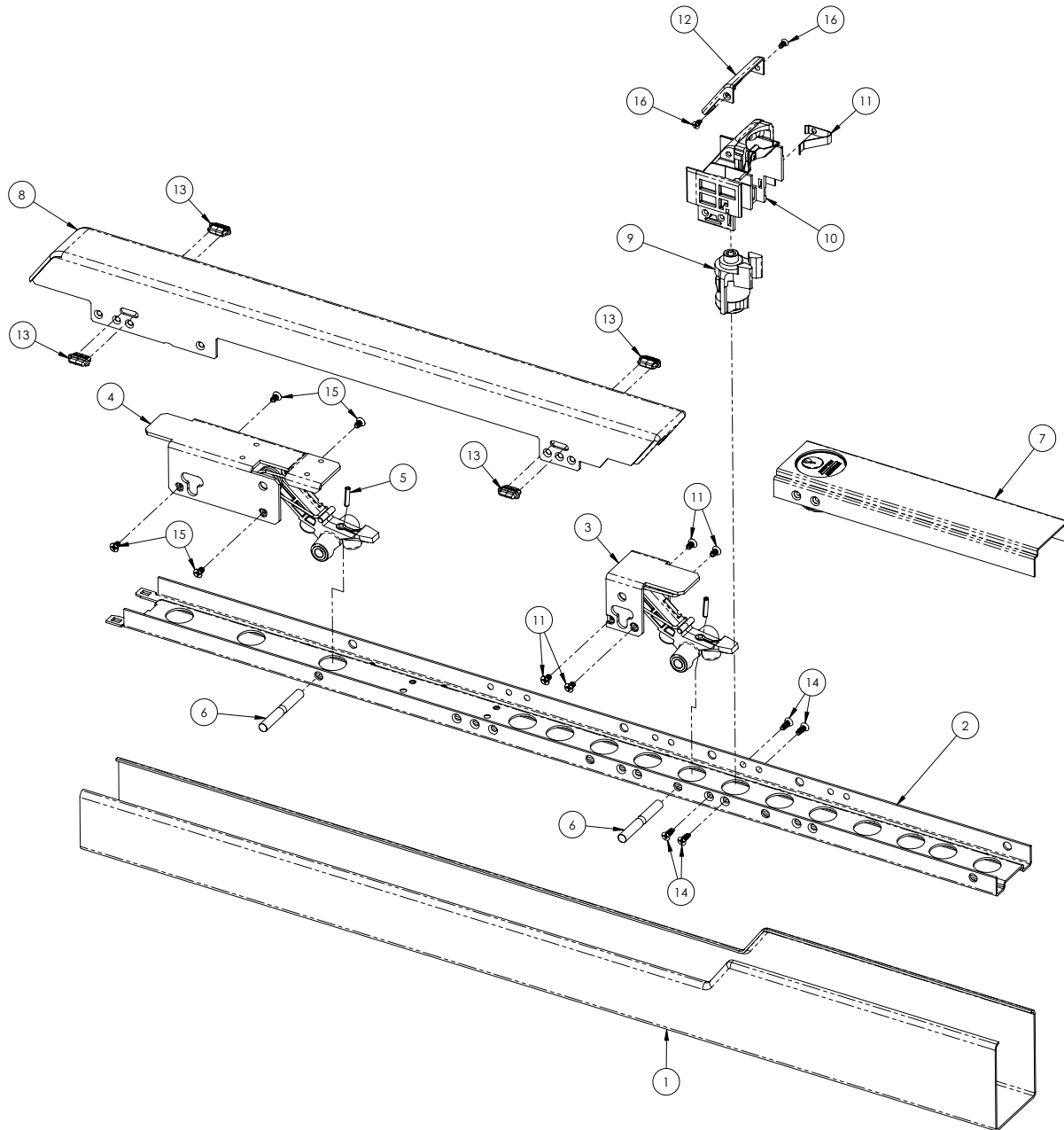
Catalog #	Description	Option	Sellable
16-5CH-PE80W E x Fin	5CH- Wide Stile E Rail Assembly*	16-5CH- (Cylinder Dogging, 5lb)	Yes
16-5CH-PE80W F x Fin	5CH- Wide Stile F Rail Assembly*		Yes
16-5CH-PE80W J x Fin	5CH- Wide Stile J Rail Assembly*		Yes
16-5CH-PE80W G x Fin	5CH- Wide Stile G Rail Assembly*		Yes
16-5CH-PE80N E x Fin	5CH- Narrow Stile E Rail Assembly*		Yes
16-5CH-PE80N F x Fin	5CH- Narrow Stile F Rail Assembly*		Yes
16-5CH-PE80N J x Fin	5CH- Narrow Stile J Rail Assembly*		Yes
16-5CH-PE80N G x Fin	5CH- Narrow Stile G Rail Assembly*		Yes

Item	Catalog #	Part #	Description	Quantity	Sellable
1		PE-0103 x Fin	PE Mount Rail Narrow (E)	1	Yes
		PE-0104 x Fin	PE Mount Rail Narrow (F)		Yes
		PE-0105 x Fin	PE Mount Rail Narrow (J)		Yes
		PE-0106 x Fin	PE Mount Rail Narrow (G)		Yes
		PE-0107 x Fin	PE Mount Rail Wide (E)		Yes
		PE-0108 x Fin	PE Mount Rail Wide (F)		Yes
		PE-0109 x Fin	PE Mount Rail Wide (J)		Yes
		PE-0110 x Fin	PE Mount Rail Wide (G)		Yes
2		PE-0120	PE Carrier Wide (E)	1	Yes
		PE-0121	PE Carrier Wide (F)		Yes
		PE-0122	PE Carrier Wide (J)		Yes
		PE-0123	PE Carrier Wide (G)		Yes
		PE-0124	PE Carrier Narrow (E)		Yes
		PE-0125	PE Carrier Narrow (F)		Yes
		PE-0126	PE Carrier Narrow (J)		Yes
3	See Chart Above	PE-0127	PE Carrier Narrow (G)	1	Yes
		PE-2002	SA PE Rear Bracket (Standard)		Yes
4		PE-2084	SA PE Rear Bracket (5CH)	1	Yes
		PE-2003	SA PE Front Bracket (Standard)		Yes
5		PE-2085	SA PE Front Bracket (5CH)	1	Yes
		01-0696	Spirol Pin .0562 X .125		2
6		PE-0077	Lower Pivot Pin	2	Yes
		PE-2067 x Fin	PE Cyl Dogging Insert Wide (E)		1
PE-2068 x Fin	PE Cyl Dogging Insert Wide (F)	Yes			
PE-2069 x Fin	PE Cyl Dogging Insert Wide (J)	Yes			
PE-2070 x Fin	PE Cyl Dogging Insert Wide (G)	Yes			
PE-2071 x Fin	PE Cyl Dogging Insert Narrow (E)	Yes			
PE-2072 x Fin	PE Cyl Dogging Insert Narrow (F)	Yes			
PE-2073 x Fin	PE Cyl Dogging Insert Narrow (J)	Yes			
PE-2074 x Fin	PE Cyl Dogging Insert Narrow (G)	Yes			
8		PE-0032 x Fin	PE Push Body (E)	1	Yes
		PE-0033 x Fin	PE Push Body (F)		Yes
		PE-0034 x Fin	PE Push Body (J)		Yes
		PE-0035 x Fin	PE Push Body (G)		Yes
9		PE-2000	SA PE Dogging Hex and Cam	1	Yes
10		PE-2014	SA Dogging Slope	1	Yes
11		PE-0206	Cylinder Dogging Slope		
12		PE-0153 x Fin	PE Dogging Slope Scalp, Sar	1	Yes
13		PE-0337	PE Wear Guide Snap-In	4	Yes
14		01-4608	PFHS Plastitie #6-19 X 3/8	4	Yes
15		01-4607	FHPMS #6-32 X 1/4	8	Yes
16		01-4617	PPHS #4-20 X 1/4	2	Yes

Related Options
16-53-
16-55-
16-53-55-
16-56-
16-53-56-
16-53-55-56-
16-58-
16-53-58-
16-53-55-58-
16-18-
16-58-18-

A8373-A 05/23

The warranty on SARGENT® products becomes void if the product is modified in any way, regardless of whether the modification causes or contributes to any alleged defect. If a SARGENT product is modified it may no longer meet industry certification and quality control standards applicable to the original product and is no longer a genuine SARGENT product.



PE80 Series Rail Assembly 16-, 16-5SC

How To Order Rail Assemblies				
Options	Series	Wide or Narrow Stile	Rail Length	Finish
16- 53-	PE80	W	F	32D

PE80 Series Rail Assemblies
12- 58-
58-



Catalog #	Description	Option	Sellable
58-PE80W E x Fin	Wide Stile E Rail Assembly	Electric Dogging	Yes
58-PE80W F x Fin	Wide Stile F Rail Assembly		Yes
58-PE80W J x Fin	Wide Stile J Rail Assembly		Yes
58-PE80W G x Fin	Wide Stile G Rail Assembly		Yes
58-PE80N E x Fin	Narrow Stile E Rail Assembly		Yes
58-PE80N F x Fin	Narrow Stile F Rail Assembly		Yes
58-PE80N J x Fin	Narrow Stile J Rail Assembly		Yes
58-PE80N G x Fin	Narrow Stile G Rail Assembly		Yes

Catalog #	Description	Option	Sellable
12-58-PE80W E x Fin	Wide Stile E Rail Assembly	Fire Rated Electric Dogging	Yes
12-58-PE80W F x Fin	Wide Stile F Rail Assembly		Yes
12-58-PE80W J x Fin	Wide Stile J Rail Assembly		Yes
12-58-PE80W G x Fin	Wide Stile G Rail Assembly		Yes
12-58-PE80N E x Fin	Narrow Stile E Rail Assembly		Yes
12-58-PE80N F x Fin	Narrow Stile F Rail Assembly		Yes
12-58-PE80N J x Fin	Narrow Stile J Rail Assembly		Yes
12-58-PE80N G x Fin	Narrow Stile G Rail Assembly		Yes

Item	Catalog #	Part #	Description	Quantity	Sellable
1		PE-0103 x Fin	PE Mount Rail Narrow (E)	1	Yes
		PE-0104 x Fin	PE Mount Rail Narrow (F)		Yes
		PE-0105 x Fin	PE Mount Rail Narrow (J)		Yes
		PE-0106 x Fin	PE Mount Rail Narrow (G)		Yes
		PE-0107 x Fin	PE Mount Rail Wide (E)		Yes
		PE-0108 x Fin	PE Mount Rail Wide (F)		Yes
		PE-0109 x Fin	PE Mount Rail Wide (J)		Yes
		PE-0110 x Fin	PE Mount Rail Wide (G)		Yes
2		PE-2115	Carrier Sub-Assembly Wide (E)	1	Yes
		PE-2116	Carrier Sub-Assembly Wide (F)		Yes
		PE-2117	Carrier Sub-Assembly Wide (J)		Yes
		PE-2118	Carrier Sub-Assembly Wide (G)		Yes
		PE-2119	Carrier Sub-Assembly Narrow (E)		Yes
		PE-2120	Carrier Sub-Assembly Narrow (F)		Yes
		PE-2121	Carrier Sub-Assembly Narrow (J)		Yes
		PE-2122	Carrier Sub-Assembly Narrow (G)		Yes
3	See Chart Above	PE-0112 x Fin	PE Rail Insert Wide (E)	1	Yes
		PE-0113 x Fin	PE Rail Insert Wide (F)		Yes
		PE-0114 x Fin	PE Rail Insert Wide (J)		Yes
		PE-0115 x Fin	PE Rail Insert Wide (G)		Yes
		PE-0116 x Fin	PE Rail Insert Narrow (E)		Yes
		PE-0117 x Fin	PE Rail Insert Narrow (F)		Yes
		PE-0118 x Fin	PE Rail Insert Narrow (J)		Yes
		PE-0119 x Fin	PE Rail Insert Narrow (G)		Yes
4		PE-0032 x Fin	PE Push Body (E)	1	Yes
		PE-0033 x Fin	PE Push Body (F)		Yes
		PE-0034 x Fin	PE Push Body (J)		Yes
		PE-0035 x Fin	PE Push Body (G)		Yes
5		PE-2014	SA Dogging Slope	1	Yes
6		PE-0351 x Fin	PE Dogging Slope Scalp, Sar (Blank)	1	Yes
7		PE-0337	PE Wear Guide Snap-In	4	Yes
8		PE-0336	Wire Grommet	2	Yes
9		52-6149	53-58- Harness E/F	1	Yes
		52-6150	53-58- Harness J/G	1	Yes
10		52-6126	E-LYNX Harness	1	Yes
11		PE-0375	Wire Shield	1	Yes
12		01-4608	PFHS Plastitie #6-19 X 3/8	4	Yes
13		01-4607	FHPMS #6-32 X 1/4	8	Yes
14		01-4617	PPHS #4-20 X 1/4	2	Yes

Related Options
53-58-
55-58-
53-55-58-
58-HK-
58-HK-18-
58-PL-
58-AL-

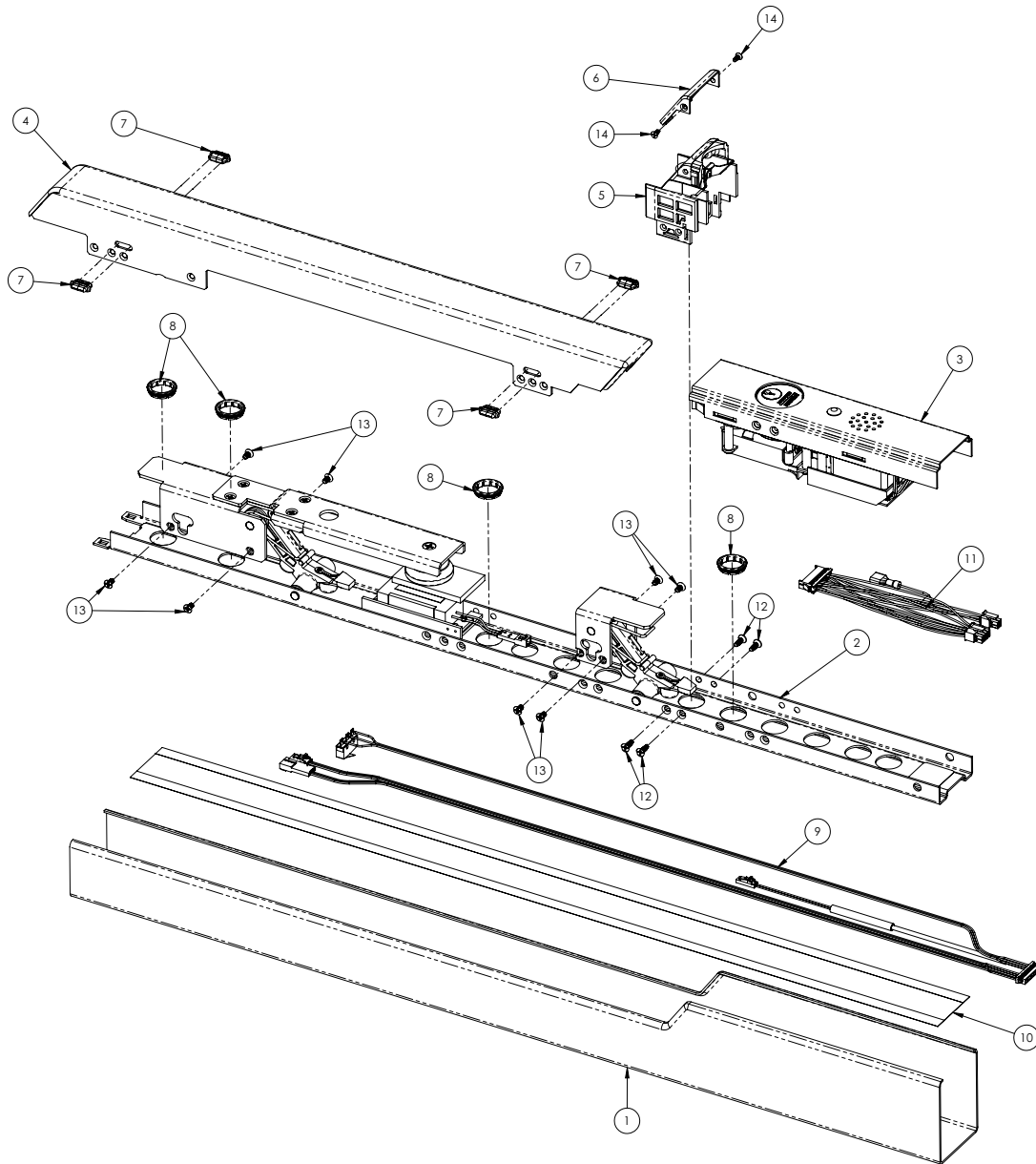
A8373-A 05/23

The warranty on SARGENT® products becomes void if the product is modified in any way, regardless of whether the modification causes or contributes to any alleged defect. If a SARGENT product is modified it may no longer meet industry certification and quality control standards applicable to the original product and is no longer a genuine SARGENT product.

110

Copyright © 2023, SARGENT Manufacturing Company. All rights reserved. Reproduction in whole or in part without the express written permission of SARGENT Manufacturing Company is prohibited.

Experience a safer
and more open world



Assembly 58-PE80W F Shown Above

How To Order Rail Assemblies				
Options	Series	Wide or Narrow Stile	Rail Length	Finish
53- 58-	PE80	W	F	32D

Experience a safer
 and more open world

The warranty on SARGENT® products becomes void if the product is modified in any way, regardless of whether the modification causes or contributes to any alleged defect. If a SARGENT product is modified it may no longer meet industry certification and quality control standards applicable to the original product and is no longer a genuine SARGENT product.

Copyright © 2023, SARGENT Manufacturing Company. All rights reserved. Reproduction in whole or in part without the express written permission of SARGENT Manufacturing Company is prohibited.

P700 Series Lever Trim

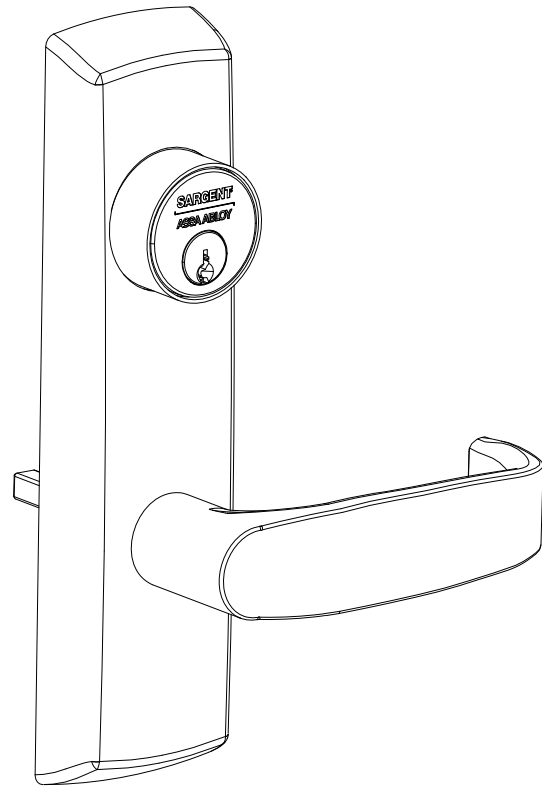
Function	Exit Devices							
	PE8300	AD PE8400 MD PE8400	PE8500	AD PE8600 MD PE8600 WD PE8600	PE8700 FM PE8700 HC4 PE8700 HC PE8700	PE8800	PE8800 HC PE8800	PE8900
4	P704	—	P704	—	—	P704	P704	P704
	P744 ¹	—	P744 ¹	—	—	P744 ¹	P744 ¹	P744 ¹
6	—	P706-4	—	P706-4	P706	P706-8	P706-8	—
	—	P746-4 ¹	—	P746-4 ¹	P746 ¹	P746-8 ¹	P746-8 ¹	—
10	P710	P710-4	P710	P710-4	P710	P710	P710	P710
	P740 ¹	P740-4 ¹	P740 ¹	P740-4 ¹	P740 ¹	P740 ¹	P740 ¹	P740 ¹
13	P713	P713-4	P713-8	P713-4	P713	P713-8	P713-8	P713
	P743 ¹	P743-4 ¹	P743-8 ¹	P743-4 ¹	P743 ¹	P743-8 ¹	P743-8 ¹	P743 ¹
15	P715	P715-4	P715-8	P715-4	P715	P715-8	P715-8	P715
16	—	—	—	—	—	P716	—	P716
73	—	P773-4	P773-8	P773-4	P773	—	—	—
74	—	P774-4	P774-8	P774-4	P774	—	—	—
75	P775	—	—	—	—	P775-8	P775-8	P775
76	P776	—	—	—	—	P776-8	P776-8	P776
77	—	—	—	—	—	P777-8	P777-8	P777
78	—	—	—	—	—	P778-8	P778-8	P778

1. P740, P743, P744 & P746 are freewheeling levers



Wide Escutcheon (WE)

When ordering, specify WE or NE in the order string.



Narrow Escutcheon (NE)

The warranty on SARGENT® products becomes void if the product is modified in any way, regardless of whether the modification causes or contributes to any alleged defect. If a SARGENT product is modified it may no longer meet industry certification and quality control standards applicable to the original product and is no longer a genuine SARGENT product.

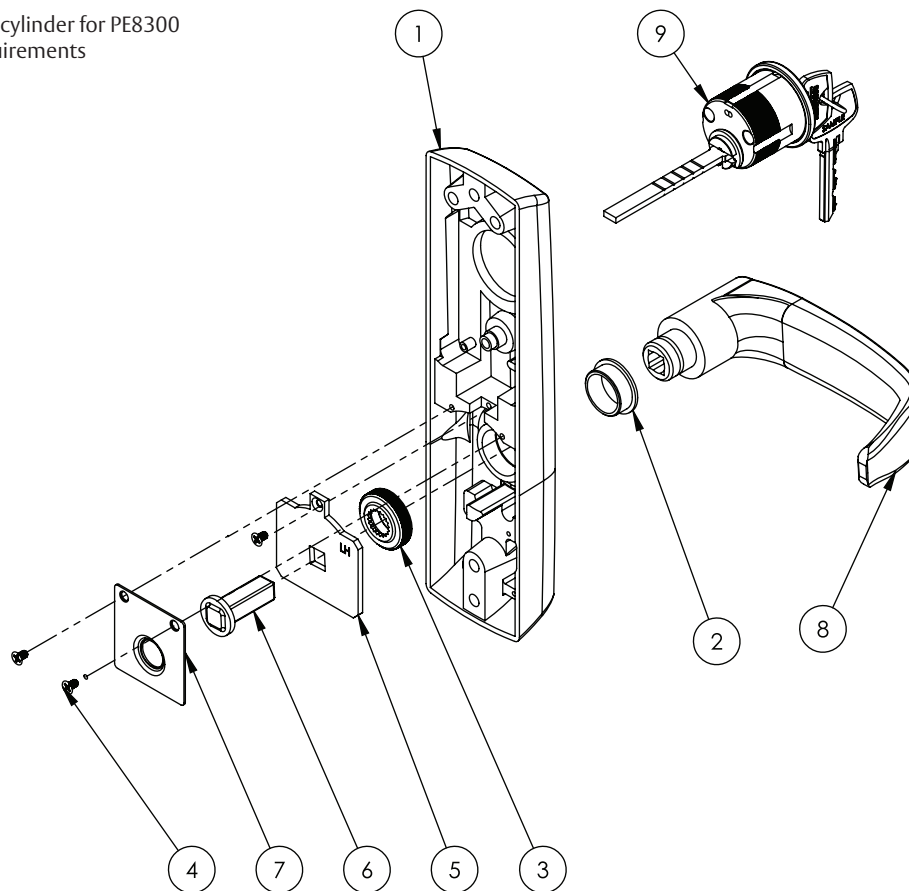
P700 Series Lever Trim
P704 NE & P704 WE
P710 NE & P710 WE

Item	Part No.	Description	Qty	Sellable
1	PE-0089	Lever Trim Case Narrow (04, 16, 44)	1	No
	PE-0090	Lever Trim Case Wide (04, 16, 44)	1	No
	PE-0062	Lever Trim Case Narrow (10, 40, 15)	1	No
	PE-0071	Lever Trim Case Wide (10, 40, 15)	1	No
2	97-0477	Bushing Insert	1	Yes
3	PE-0248	Cap Nut Premium	1	Yes
4	01-9708	4-40 X 3/16" FH SS Machine Screw VC-3	3	Yes
5	PE-0048	Lower Hub Plate (04&10 FUNCTION)	1	Yes
6	97-0573	Spindle (704/710)	1	Yes
7	97-0852	Retainer Plate	1	Yes
8	—	Lever Handle ^{1,2}	1	Yes
Not Shown	01-4451	Thru Bolt #1/4-20 X 2 3/8" (1 3/4" Door)	2	Yes
	01-4372	Thru Bolt #1/4-20 X 2 5/8" (2" Door)	2	Yes
	01-4373	Thru Bolt #1/4-20 X 2 7/8" (2 1/4" Door)	2	Yes
9	—	Rim Cylinder (P704 Only) ^{1,3}	1	Yes
Not Shown	13-0086	Backplate (P704 Only)	1	Yes
	13-0074	Connecting Screw (P704 Only)	2	Yes
	13-0075	Connecting Screw (P704 Only) (2 1/2" Door And Over)	2	Yes

¹Specify finish

²Specify lever design by hand

³Specify #34 cylinder (#46 cylinder for PE8300 or PE8900) by keying requirements



Experience a safer
and more open world

The warranty on SARGENT® products becomes void if the product is modified in any way, regardless of whether the modification causes or contributes to any alleged defect. If a SARGENT product is modified it may no longer meet industry certification and quality control standards applicable to the original product and is no longer a genuine SARGENT product.

Copyright © 2023, SARGENT Manufacturing Company. All rights reserved. Reproduction in whole or in part without the express written permission of SARGENT Manufacturing Company is prohibited.

P700 Series Lever Trim
P706 NE & P706 WE



Item	Part No.	Description	Qty	Sellable
1	PE-0061	Lever Trim Case Narrow (06, 13, 43, 46)	1	No
	PE-0070	Lever Trim Case Wide (06, 13, 43, 46)	1	No
2	97-0477	Bushing Insert	1	Yes
3	PE-0248	Cap Nut Premium	1	Yes
4	PE-2013	Premium Spring Cartridge Assy	1	Yes
5	PE-0053	Hub Plate Premium	1	Yes
6	01-9708	4-40 X 3/16" FH SS Machine Screw VC-3	4	Yes
7	PE-0256	Spring Plate Premium	1	Yes
8	PE-0262	Bushing Premium	1	Yes
9	P8-2032	Locking Mechanism (06)	1	Yes
10	P8-0048	Spacer	1	Yes
11	01-1183	10-32 X 5/16 MS Truss Head PH VC-3	1	Yes
12	P8-0019	Cam Detent Spring	1	Yes
13	01-9299	4-40 X 3/16" PH Machine Screw	1	Yes
14	—	Lever Handle ^{1,3}	1	Yes
15	—	Cylinder Assembly ^{1,2}	1	Yes
16	97-0350	Collar ¹	1	Yes
17	13-0180	Cylinder Nut	1	Yes
18	P730-1	Spindle Retrofit Kit (1 3/4" Door)	1	Yes
	P730-2	Spindle Retrofit Kit (2" Door)	1	Yes
	P730-3	Spindle Retrofit Kit (2 1/4" Door)	1	Yes
Not Shown	01-4451	Thru Bolt #1/4-20 X 2 3/8" (1 3/4" Door)	2	Yes
	01-4372	Thru Bolt #1/4-20 X 2 5/8" (2" Door)	2	Yes
	01-4373	Thru Bolt #1/4-20 X 2 7/8" (2 1/4" Door)	2	Yes

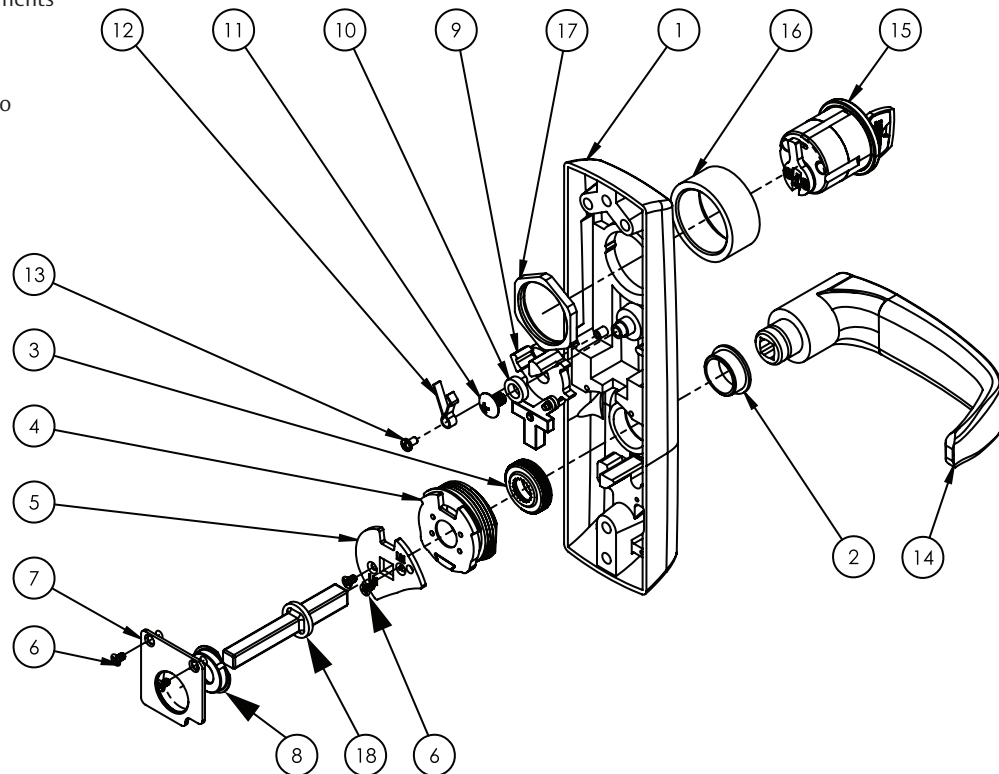
¹Specify finish

²Specify #41 cylinder by keying requirements

³Specify lever design by hand

Note: P730 kit includes items required to replace the spindle and thru bolts for specified door thickness

Note: P607-2 kit includes items 9, 10, 11, 12, and 13



A8373-A 05/23

The warranty on SARGENT® products becomes void if the product is modified in any way, regardless of whether the modification causes or contributes to any alleged defect. If a SARGENT product is modified it may no longer meet industry certification and quality control standards applicable to the original product and is no longer a genuine SARGENT product.

P700 Series Lever Trim
P713 NE & P713 WE



Item	Part No.	Description	Qty	Sellable
1	PE-0061	Lever Trim Case Narrow (06, 13, 43, 46)	1	No
	PE-0070	Lever Trim Case Wide (06, 13, 43, 46)	1	No
2	97-0477	Bushing Insert	1	Yes
3	PE-0248	Cap Nut Premium	1	Yes
4	PE-2013	Premium Spring Cartridge Assy	1	Yes
5	PE-0053	Hub Plate Premium	1	Yes
6	01-9708	4-40 X 3/16" FH SS Machine Screw VC-3	4	Yes
7	PE-0256	Spring Plate Premium	1	Yes
8	PE-0262	Bushing Premium	1	Yes
9	P8-2034	Locking Mechanism (13)	1	Yes
10	P8-0048	Spacer	1	Yes
11	01-1183	10-32 X 5/16 Ms Truss Head PH VC-3	1	Yes
12	P8-0019	Cam Detent Spring	1	Yes
13	01-9299	4-40 X 3/16" PH Machine Screw	1	Yes
14	—	Lever Handle ^{1,3}	1	Yes
15	—	Cylinder Assembly ^{1,2}	1	Yes
16	97-0350	Collar ¹	1	Yes
17	13-0180	Cylinder Nut	1	Yes
18	P730-1	Spindle Retrofit Kit (1 3/4" Door)	1	Yes
	P730-2	Spindle Retrofit Kit (2" Door)	1	Yes
	P730-3	Spindle Retrofit Kit (2 1/4" Door)	1	Yes
Not Shown	01-4451	Thru Bolt #1/4-20 X 2 3/8" (1 3/4" Door)	2	Yes
	01-4372	Thru Bolt #1/4-20 X 2 5/8" (2" Door)	2	Yes
	01-4373	Thru Bolt #1/4-20 X 2 7/8" (2 1/4" Door)	2	Yes

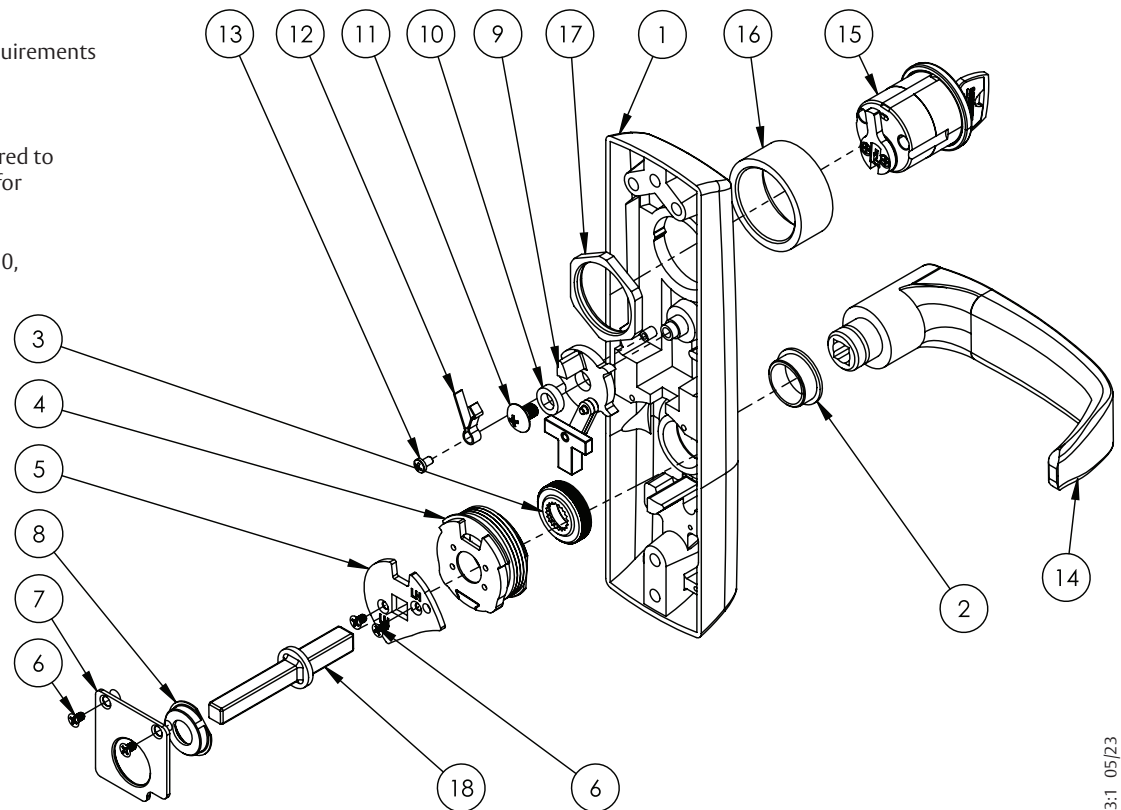
¹Specify finish

²Specify #41 cylinder by keying requirements

³Specify lever design by hand

Note: P730 kit includes items required to replace the spindle and thru bolts for specified door thickness

Note: P607-2 kit includes items 9, 10, 11, 12, and 13



Experience a safer
 and more open world

The warranty on SARGENT® products becomes void if the product is modified in any way, regardless of whether the modification causes or contributes to any alleged defect. If a SARGENT product is modified it may no longer meet industry certification and quality control standards applicable to the original product and is no longer a genuine SARGENT product.

Copyright © 2023, SARGENT Manufacturing Company. All rights reserved. Reproduction in whole or in part without the express written permission of SARGENT Manufacturing Company is prohibited.

P700 Series Lever Trim
P715 NE & P715 WE

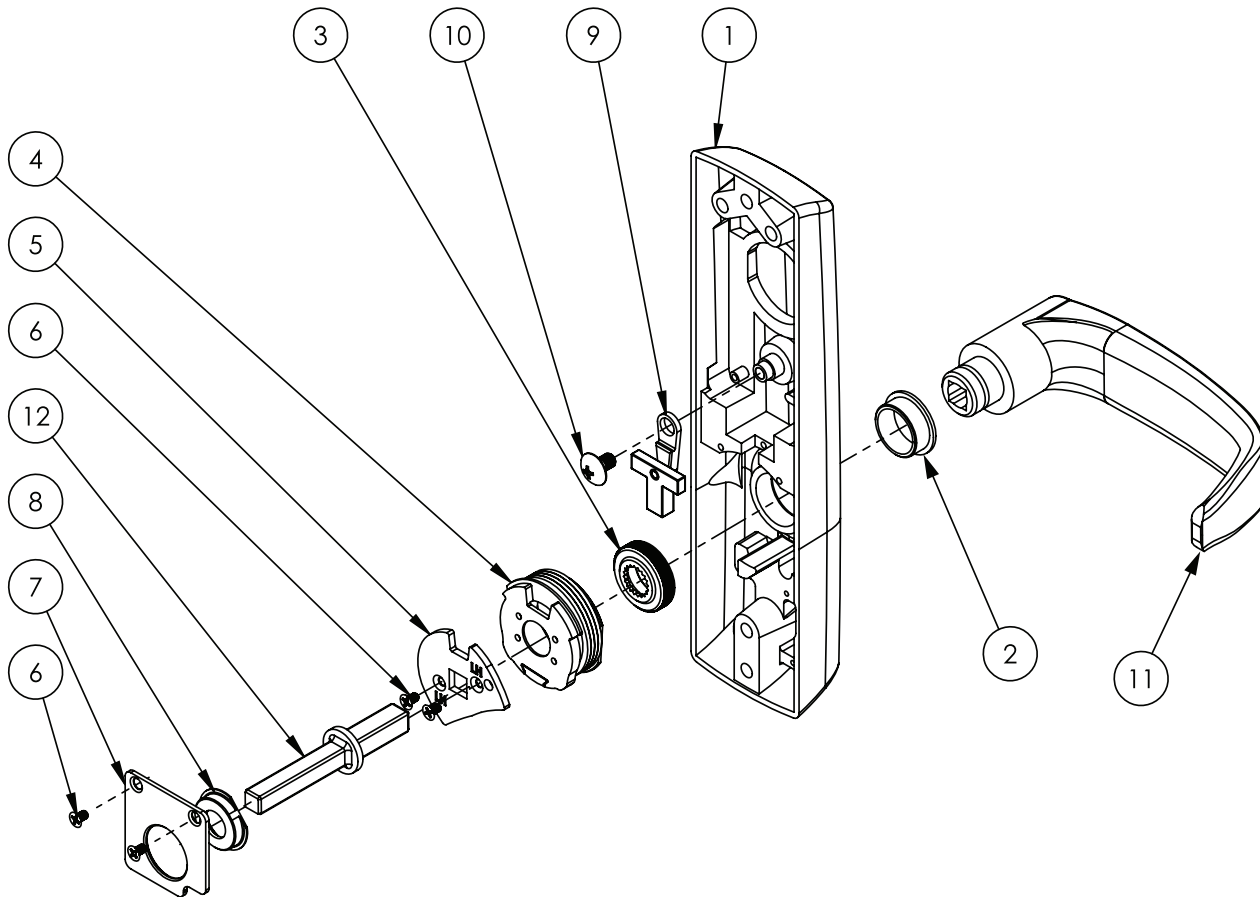


Item	Part No.	Description	Qty	Sellable
1	PE-0062	Lever Trim Case Narrow (10, 40, 15)	1	No
	PE-0071	Lever Trim Case Wide (10, 40, 15)	1	No
2	97-0477	Bushing Insert	1	Yes
3	PE-0248	Cap Nut Premium	1	Yes
4	PE-2013	Premium Spring Cartridge Assy	1	Yes
5	PE-0053	Hub Plate Premium	1	Yes
6	01-9708	4-40 X 3/16" FH SS Machine Screw VC-3	4	Yes
7	PE-0256	Spring Plate Premium	1	Yes
8	PE-0262	Bushing Premium	1	Yes
9	PE-2060	Locking Mechanism (15, 16)	1	Yes
10	01-1183	10-32 X 5/16 MS Truss Head PH VC-3	1	Yes
11	—	Lever Handle ^{1,2}	1	Yes
12	P730-1	Spindle Retrofit Kit (1 3/4" Door)	1	Yes
	P730-2	Spindle Retrofit Kit (2" Door)	1	Yes
	P730-3	Spindle Retrofit Kit (2 1/4" Door)	1	Yes
Not Shown	01-4451	Thru Bolt #1/4-20 X 2 3/8" (1 3/4" Door)	2	Yes
	01-4372	Thru Bolt #1/4-20 X 2 5/8" (2" Door)	2	Yes
	01-4373	Thru Bolt #1/4-20 X 2 7/8" (2 1/4" Door)	2	Yes

¹Specify finish

²Specify lever design by hand

Note: P730 kit includes items required to replace the spindle and thru bolts for specified door thickness



A8373-A 05/23

The warranty on SARGENT® products becomes void if the product is modified in any way, regardless of whether the modification causes or contributes to any alleged defect. If a SARGENT product is modified it may no longer meet industry certification and quality control standards applicable to the original product and is no longer a genuine SARGENT product.

P700 Series Lever Trim
P716 NE & P716 WE

Item	Part No.	Description	Qty	Sellable
1	PE-0089	Lever Trim Case Narrow (04, 16, 44)	1	No
	PE-0090	Lever Trim Case Wide (04, 16, 44)	1	No
2	97-0477	Bushing Insert	1	Yes
3	PE-0248	Cap Nut Premium	1	Yes
4	PE-2013	Premium Spring Cartridge Assy	1	Yes
5	PE-0053	Hub Plate Premium	1	Yes
6	01-9708	4-40 X 3/16" FH SS Machine Screw VC-3	4	Yes
7	PE-0256	Spring Plate Premium	1	Yes
8	PE-0262	Bushing Premium	1	Yes
9	PE-2060	Locking Mechanism (15, 16)	1	Yes
10	01-1183	10-32 X 5/16 MS Truss Head PH VC-3	1	Yes
11	—	Lever Handle ^{1,3}	1	Yes
12	—	Cylinder Assembly ^{1,2}	1	Yes
Not Shown	—	Collar ¹ (PE8916 Only)	1	Yes
	13-0180	Cylinder Nut (PE8916 Only)	1	Yes
	13-0086	Backplate (PE8816 Only)	1	Yes
	13-0074	Connecting Screw (PE8816 Only)	2	Yes
	13-0075	Connecting Screw (PE8816 Only) (2 1/2" Door And Over)	2	Yes
13	P730-1	Spindle Retrofit Kit (1 3/4" Door)	1	Yes
	P730-2	Spindle Retrofit Kit (2" Door)	1	Yes
	P730-3	Spindle Retrofit Kit (2 1/4" Door)	1	Yes
Not Shown	01-4451	Thru Bolt #1/4-20 X 2 3/8" (1 3/4" Door)	2	Yes
	01-4372	Thru Bolt #1/4-20 X 2 5/8" (2" Door)	2	Yes
	01-4373	Thru Bolt #1/4-20 X 2 7/8" (2 1/4" Door)	2	Yes

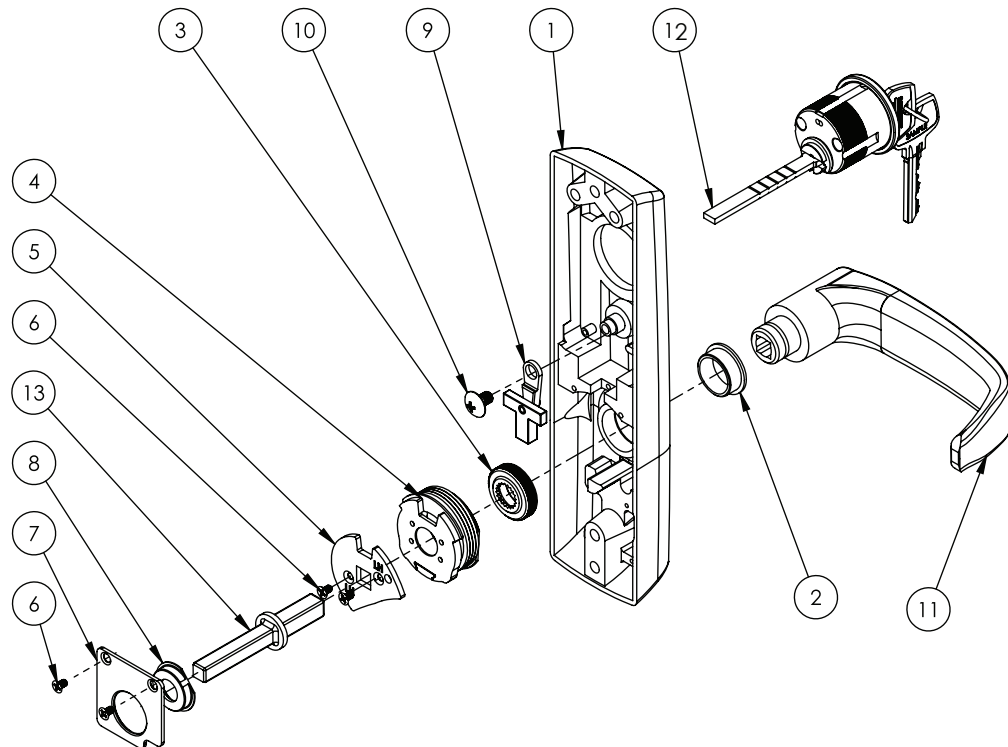
¹Specify finish

²Specify cylinder size

2a. By keying Requirements
 2b. #34 Cylinder for PE8816
 #46 Mortise cylinder for PE8916

³Specify lever design by hand

Note: P730 kit includes items required to replace the spindle and thru bolts for specified door thickness



The warranty on SARGENT® products becomes void if the product is modified in any way, regardless of whether the modification causes or contributes to any alleged defect. If a SARGENT product is modified it may no longer meet industry certification and quality control standards applicable to the original product and is no longer a genuine SARGENT product.

Copyright © 2023, SARGENT Manufacturing Company. All rights reserved. Reproduction in whole or in part without the express written permission of SARGENT Manufacturing Company is prohibited.

P700 Series Lever Trim
P743 NE & P743 WE



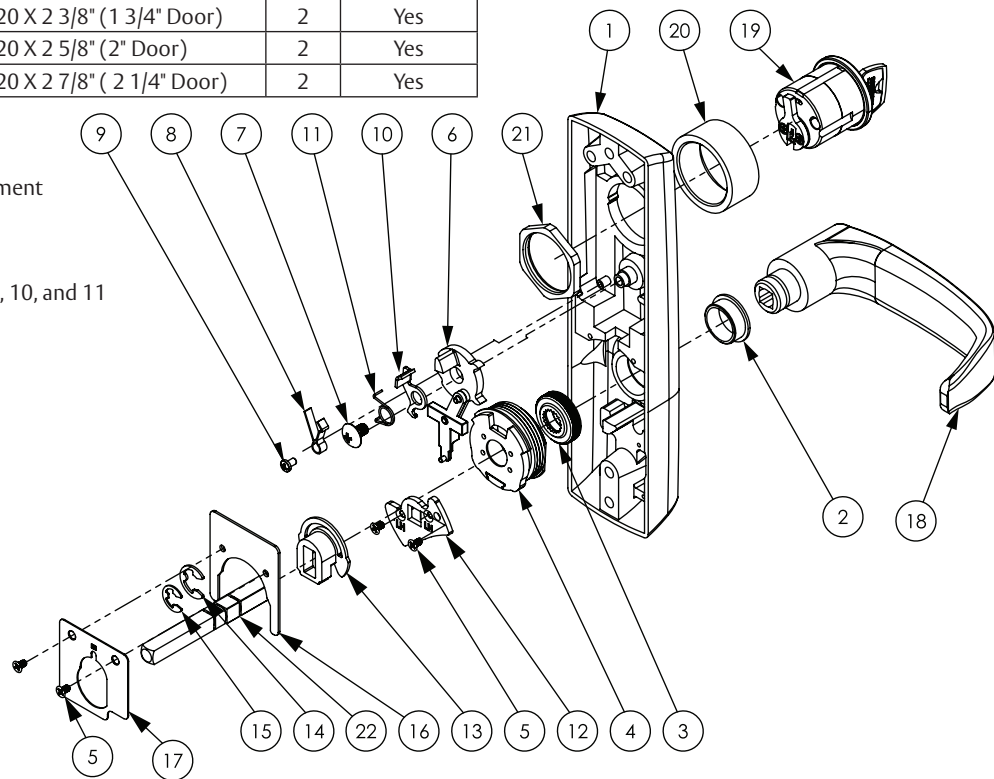
Item	Part No.	Description	Qty	Sellable
1	PE-0061	Lever Trim Case Narrow (06, 13, 43, 46)	1	No
	PE-0070	Lever Trim Case Wide (06, 13, 43, 46)	1	No
2	97-0477	Bushing Insert	1	Yes
3	PE-0248	Cap Nut Premium	1	Yes
4	PE-2013	Premium Spring Cartridge Assy	1	Yes
5	01-9708	4-40 X 3/16" FH SS Machine Screw VC-3	4	Yes
6	P8-2031	Locking Mechanism (43)	1	Yes
7	01-1183	10-32 X 5/16 MS Truss Head PH VC-3	1	Yes
8	P8-0019	Cam Detent Spring	1	Yes
9	01-9299	4-40 X 3/16" PH Machine Screw	1	Yes
10	P8-0045	Guarding Bracket (43 Function)	1	Yes
11	P8-0047	Guarding Spring	1	Yes
12	PE-0054	FW Hub Plate Premium	1	Yes
13	PE-0299	Spindle Lock Premium FW	1	Yes
14	97-0527	E Clip 0.312 Shaft	1	Yes
15	01-9709	8 mm Side Mount Retaining Ring	1	Yes
16	PE-0269	FW Retainer Plate	1	Yes
17	PE-0352	FW Pear Cover Plate	1	Yes
18	—	Lever Handle ^{1,3}	1	Yes
19	—	Cylinder Assembly ^{1,2}	1	Yes
20	—	Collar ¹	1	Yes
21	13-0180	Cylinder Nut	1	Yes
22	PE-2307	PE Spindle Assembly (1 3/4" Door)	1	Yes
	PE-2308	PE Spindle Assembly (2" Door)	1	Yes
	PE-2309	PE Spindle Assembly (2 1/4" Door)	1	Yes
Not Shown	01-4451	Thru Bolt #1/4-20 X 2 3/8" (1 3/4" Door)	2	Yes
	01-4372	Thru Bolt #1/4-20 X 2 5/8" (2" Door)	2	Yes
	01-4373	Thru Bolt #1/4-20 X 2 7/8" (2 1/4" Door)	2	Yes

¹ Specify finish

² Specify #41 cylinder by keying requirement

³ Specify lever design by hand

Note: P607-3 kit includes items 6, 7, 8, 9, 10, and 11



A8373-A 05/23

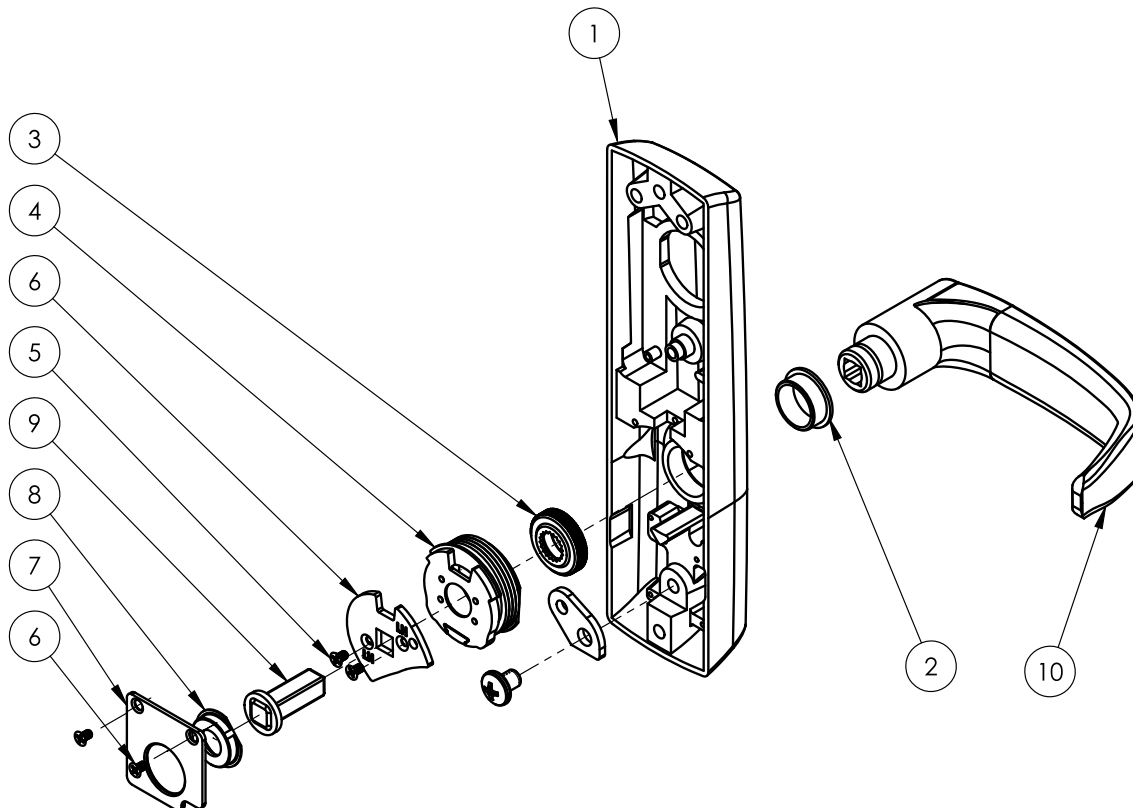
The warranty on SARGENT® products becomes void if the product is modified in any way, regardless of whether the modification causes or contributes to any alleged defect. If a SARGENT product is modified it may no longer meet industry certification and quality control standards applicable to the original product and is no longer a genuine SARGENT product.

P700 Series Lever Trim
P740-4 NE & P740-4 WE

Item	Part #	Description	Qty	Sellable
1	PE-0426	ET Case Narrow (10-4, 40-4, 15-4)	1	No
	PE-0429	ET Case Wide (10-4, 40-4, 15-4)	1	No
2	97-0477	Bushing Insert	1	Yes
3	PE-0248	Cap Nut Premium	1	Yes
4	PE-2013	Premium Spring Cartridge Assy	1	Yes
5	01-9708	4-40 X 3/16" FH SS Machine Screw VC-3	4	Yes
6	PE-0053	Hub Plate Premium	1	Yes
7	PE-0256	Spring Plate Premium	1	Yes
8	PE-0262	Bushing Premium	1	Yes
9	97-0573	Spindle	1	Yes
10	—	Lever Handle ^{1,2}	1	Yes
Not Shown	01-4451	Thru Bolt #1/4-20 X 2 3/8" (1 3/4" Door)	2	Yes
	01-4372	Thru Bolt #1/4-20 X 2 5/8" (2" Door)	2	Yes
	01-4373	Thru Bolt #1/4-20 X 2 7/8" (2 1/4" Door)	2	Yes

¹Specify finish

²Specify lever design by hand



Experience a safer
 and more open world

The warranty on SARGENT® products becomes void if the product is modified in any way, regardless of whether the modification causes or contributes to any alleged defect. If a SARGENT product is modified it may no longer meet industry certification and quality control standards applicable to the original product and is no longer a genuine SARGENT product.

Copyright © 2023, SARGENT Manufacturing Company. All rights reserved. Reproduction in whole or in part without the express written permission of SARGENT Manufacturing Company is prohibited.

P700 Series Lever Trim
P744 NE & P744 WE

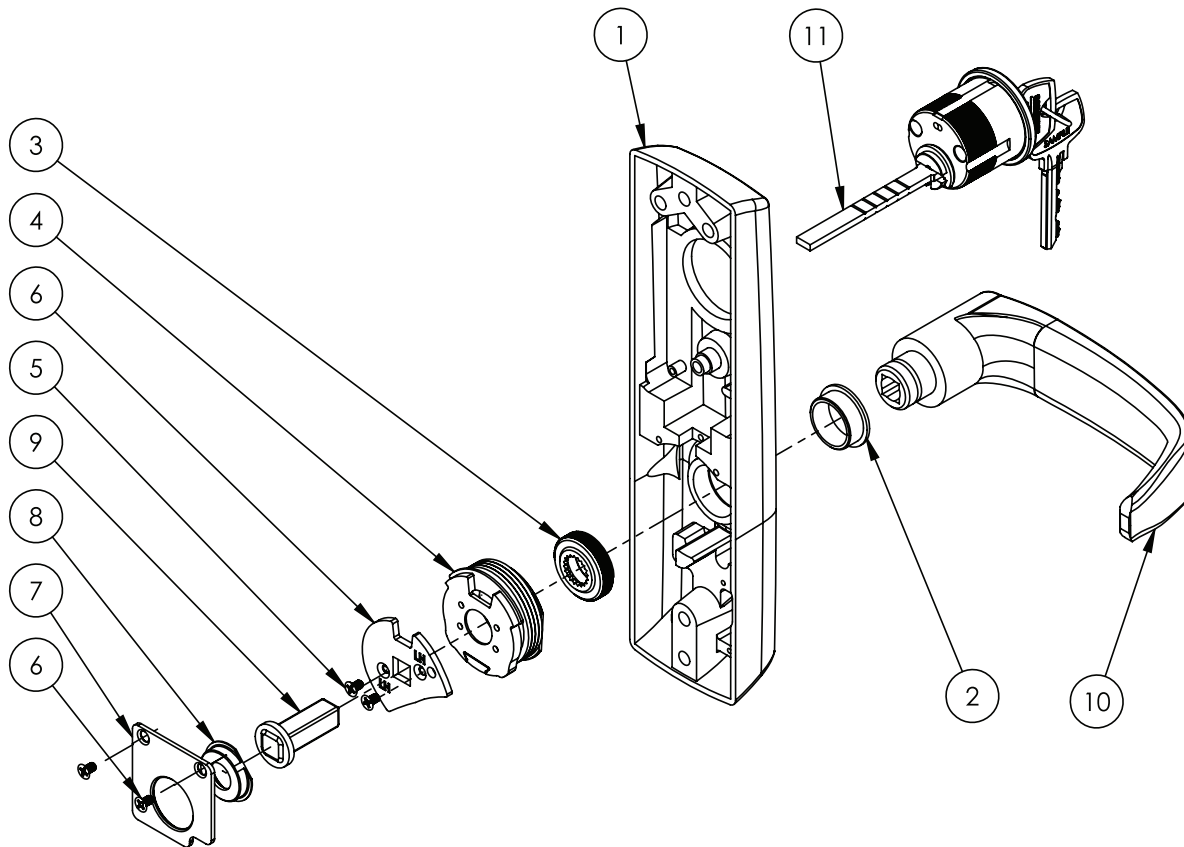
SARGENT®
ASSA ABLOY

Item	Part No.	Description	Qty	Sellable
1	PE-0062	Lever Trim Case Narrow (10, 40, 15)	1	No
	PE-0071	Lever Trim Case Wide (10, 40, 15)	1	No
	PE-0089	Lever Trim Case Narrow (04, 16, 44)	1	No
	PE-0090	Lever Trim Case Wide (04, 16, 44)	1	No
2	97-0477	Bushing Insert	1	Yes
3	PE-0248	Cap Nut Premium	1	Yes
4	PE-2013	Premium Spring Cartridge Assy	1	Yes
5	01-9708	4-40 X 3/16" FH SS Machine Screw VC-3	4	Yes
6	PE-0053	Hub Plate Premium	1	Yes
7	PE-0256	Spring Plate Premium	1	Yes
8	PE-0262	Bushing Premium	1	Yes
9	97-0573	Spindle	1	Yes
10	—	Lever Handle ^{1,3}	1	Yes
11	—	Rim Cylinder (P744 Only) ^{1,2}	1	Yes
Not Shown	13-0086	Backplate (P744 Only)	1	Yes
	13-0074	Connecting Screw (P744 Only)	2	Yes
	13-0075	Connecting Screw (P744 Only) (2 1/2" Door And Over)	2	Yes
Not Shown	01-4451	Thru Bolt #1/4-20 X 2 3/8" (1 3/4" Door)	2	Yes
	01-4372	Thru Bolt #1/4-20 X 2 5/8" (2" Door)	2	Yes
	01-4373	Thru Bolt #1/4-20 X 2 7/8" (2 1/4" Door)	2	Yes

¹Specify finish

²Specify #34 cylinder (#46 cylinder for PE8300 or PE8900) by keying requirements

³Specify lever design by hand



A8373-A 05/23

The warranty on SARGENT® products becomes void if the product is modified in any way, regardless of whether the modification causes or contributes to any alleged defect. If a SARGENT product is modified it may no longer meet industry certification and quality control standards applicable to the original product and is no longer a genuine SARGENT product.

120

Copyright © 2023, SARGENT Manufacturing Company. All rights reserved. Reproduction in whole or in part without the express written permission of SARGENT Manufacturing Company is prohibited.

Experience a safer
and more open world

P700 Series Lever Trim
P746 NE & P746 WE



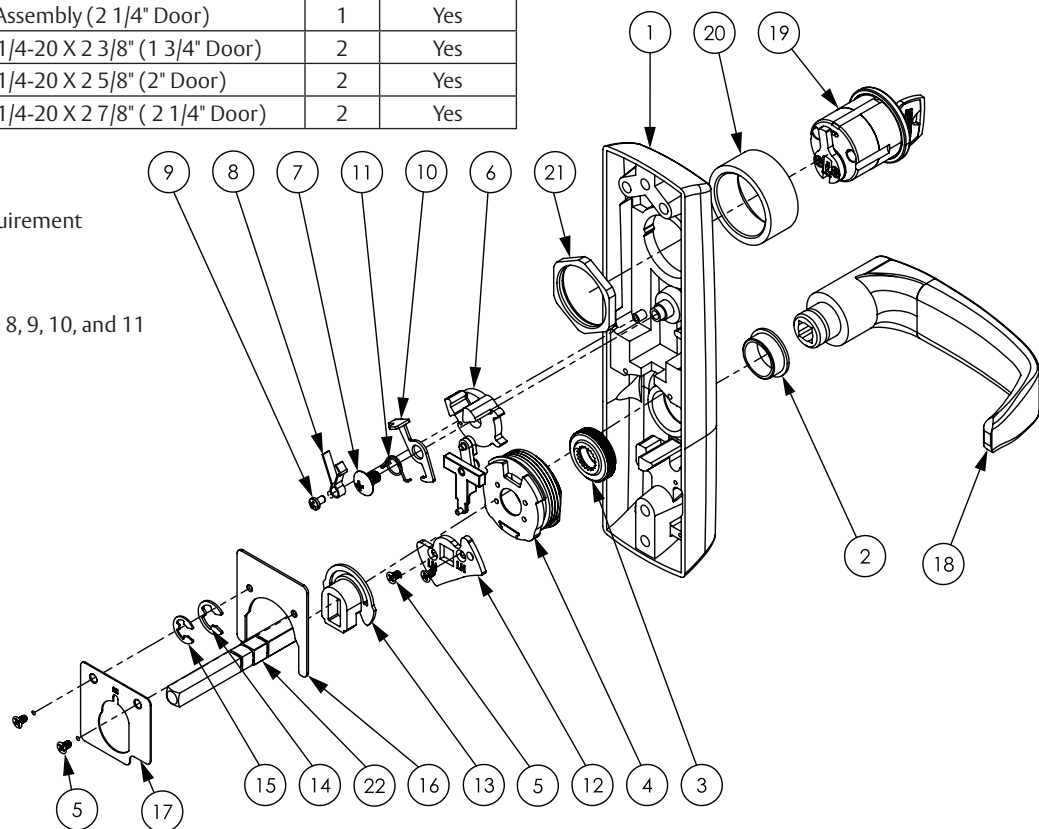
Item	Part No.	Description	Qty	Sellable
1	PE-0061	Lever Trim Case Narrow (06, 13, 43, 46)	1	No
	PE-0070	Lever Trim Case Wide (06, 13, 43, 46)	1	No
2	97-0477	Bushing Insert	1	Yes
3	PE-0248	Cap Nut Premium	1	Yes
4	PE-2013	Premium Spring Cartridge Assy	1	Yes
5	01-9708	4-40 X 3/16" FH SS Machine Screw VC-3	4	Yes
6	P8-2033	Locking Mechanism (46)	1	Yes
7	01-1183	10-32 X 5/16 MS Truss Head PH VC-3	1	Yes
8	P8-0019	Cam Detent Spring	1	Yes
9	01-9299	4-40 X 3/16" PH Machine Screw	1	Yes
10	P8-0046	Guarding Bracket (46 Function)	1	Yes
11	P8-0047	Guarding Spring	1	Yes
12	PE-0054	FW Hub Plate Premium	1	Yes
13	PE-0299	Spindle Lock Premium FW	1	Yes
14	97-0527	E Clip 0.312 Shaft	1	Yes
15	01-9709	8 mm Side Mount Retaining Ring	1	Yes
16	PE-0269	FW Retainer Plate	1	Yes
17	PE-0352	FW Pear Cover Plate	1	Yes
18	—	Lever Handle ^{1,3}	1	Yes
19	—	Cylinder Assembly ^{1,2}	1	Yes
20	—	Collar ¹	1	Yes
21	13-0180	Cylinder Nut	1	Yes
22	PE-2307	PE Spindle Assembly (1 3/4" Door)	1	Yes
	PE-2308	PE Spindle Assembly (2" Door)	1	Yes
	PE-2309	PE Spindle Assembly (2 1/4" Door)	1	Yes
Not Shown	01-4451	Thru Bolt #1/4-20 X 2 3/8" (1 3/4" Door)	2	Yes
	01-4372	Thru Bolt #1/4-20 X 2 5/8" (2" Door)	2	Yes
	01-4373	Thru Bolt #1/4-20 X 2 7/8" (2 1/4" Door)	2	Yes

¹Specify finish

²Specify #41 cylinder by keying requirement

³Specify lever design by hand

Note: P607-3 kit includes items 6, 7, 8, 9, 10, and 11



The warranty on SARGENT® products becomes void if the product is modified in any way, regardless of whether the modification causes or contributes to any alleged defect. If a SARGENT product is modified it may no longer meet industry certification and quality control standards applicable to the original product and is no longer a genuine SARGENT product.

Copyright © 2023, SARGENT Manufacturing Company. All rights reserved. Reproduction in whole or in part without the express written permission of SARGENT Manufacturing Company is prohibited.

Experience a safer
 and more open world

121

A8373:1 05/23

P700 Series Lever Trim
P773 NE, P774 NE, P778 NE,
P773 WE, P774 WE, P778 WE

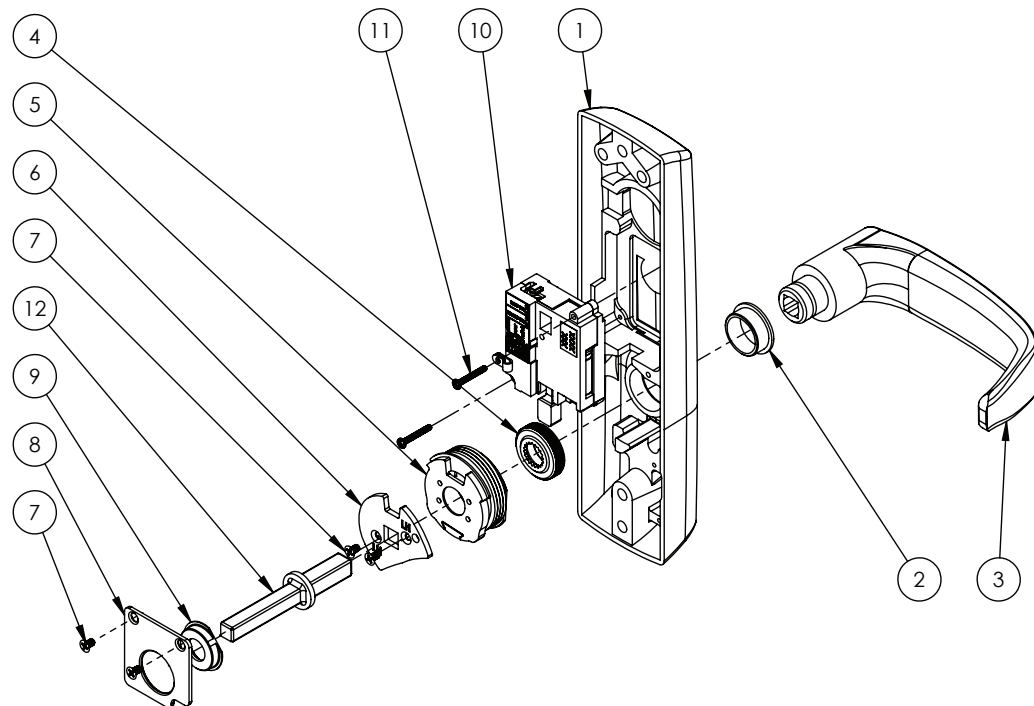


Item	Part No.	Description	Qty	Sellable
1	PE-0060	Lever Trim Case Narrow (73, 74, 78)	1	No
	PE-0069	Lever Trim Case Wide (73, 74, 78)	1	No
2	97-0477	Lever Trim Bushing Insert	1	Yes
3	—	Lever Handle ^{1,2}	1	Yes
4	PE-0248	Cap Nut Premium	1	Yes
5	PE-2013	Premium Spring Cartridge Assy	1	Yes
6	PE-0053	Hub Plate Premium	1	Yes
7	01-9708	4-40 X 3/16" FH SS Machine Screw VC-3	4	Yes
8	PE-0256	Spring Plate Premium	1	Yes
9	PE-0262	Bushing Premium	1	Yes
10	PE-2012	Ecoflex Motor Actuator Assembly	1	Yes
11	01-4383	#2-56 X 5/8" Ph Pan Head Machine Screw	2	Yes
12	P730-1	Spindle Retrofit Kit (1 3/4" Door)	1	Yes
	P730-2	Spindle Retrofit Kit (2" Door)	1	Yes
	P730-3	Spindle Retrofit Kit (2 1/4" Door)	1	Yes
Not Shown	52-6175	PE Trim Jumper Harness ³	1	Yes
	52-5783	Ecoflex Lever Trim Harness SN	1	Yes
	52-5657	Ecoflex Lever Trim Harness P1, P2, IN120, IN220, INKP	1	Yes
	52-5652	Ecoflex ET Harness IN100	1	Yes
	01-4451	Thru Bolt #1/4-20 X 2 3/8" (1 3/4" Door)	2	Yes
	01-4372	Thru Bolt #1/4-20 X 2 5/8" (2" Door)	2	Yes
	01-4373	Thru Bolt #1/4-20 X 2 7/8" (2 1/4" Door)	2	Yes
	PE-0436	Gasket Narrow (A/C Only)	1	Yes
PE-0437	Gasket Wide (A/C Only)	1	Yes	

¹Specify finish

²Specify lever design by hand

³Only required for PE8300, PE8400 & PE8600 devices



A8373-A 05/23

The warranty on SARGENT® products becomes void if the product is modified in any way, regardless of whether the modification causes or contributes to any alleged defect. If a SARGENT product is modified it may no longer meet industry certification and quality control standards applicable to the original product and is no longer a genuine SARGENT product.

P700 Series Lever Trim
P775 NE, P776 NE, P777 NE,
P775 WE, P776 WE, P777 WE



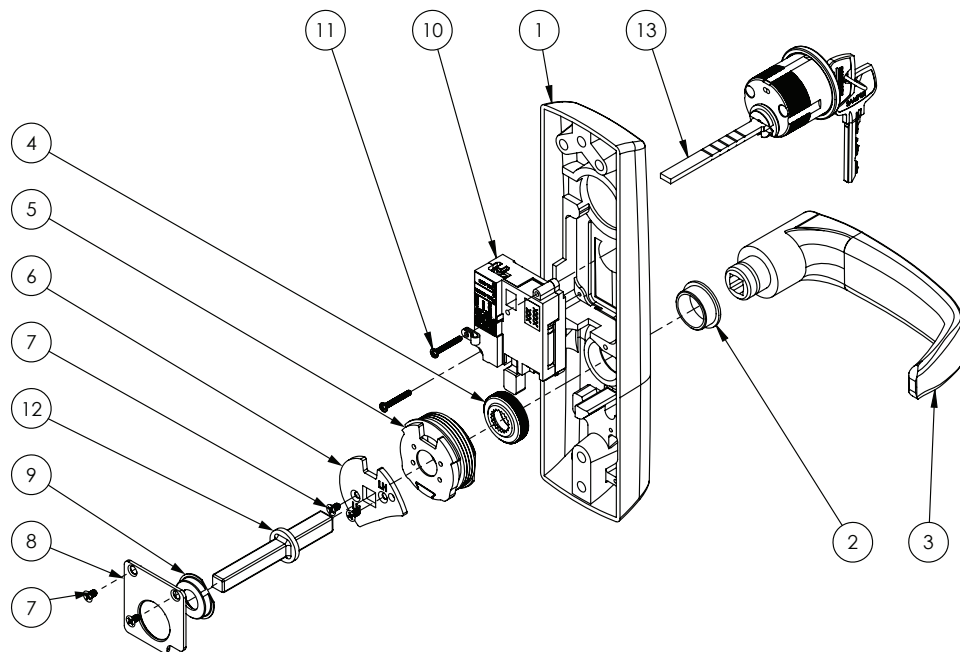
Item	Part No.	Description	Qty	Sellable
1	PE-0059	ET Case Narrow (75, 76, 77)	1	No
	PE-0068	ET Case Wide (75, 76, 77)	1	No
2	97-0477	ET Bushing Insert	1	Yes
3	—	Lever Handle ^{1,2}	1	Yes
4	PE-0248	Cap Nut Premium	1	Yes
5	PE-2013	Premium Spring Cartridge Assy	1	Yes
6	PE-0053	Hub Plate Premium	1	Yes
7	01-9708	4-40 X 3/16" FH SS Machine Screw VC-3	4	Yes
8	PE-0256	Spring Plate Premium	1	Yes
9	PE-0262	Bushing Premium	1	Yes
10	PE-2012	Ecoflex Motor Actuator Assembly	1	Yes
11	01-4383	#2-56 X 5/8" Ph Pan Head Machine Screw	2	Yes
12	P730-1	Spindle Retrofit Kit (1 3/4" Door)	1	Yes
	P730-2	Spindle Retrofit Kit (2" Door)	1	Yes
	P730-3	Spindle Retrofit Kit (2 1/4" Door)	1	Yes
Not Shown	52-6175	PE Trim Jumper Harness ⁴	1	Yes
	52-5783	Ecoflex ET Harness SN	1	Yes
	52-5657	Ecoflex ET Harness P1, P2, IN120, IN220, INKP	1	Yes
	52-5652	Ecoflex ET Harness IN100	1	Yes
13	—	Cylinder Assembly ^{1,3}	1	Yes
Not Shown	13-0086	Backplate	1	Yes
	13-0074	Connecting Screw	2	Yes
	13-0075	Connecting Screw (2 1/2" Door And Over)	2	Yes
	01-4451	Thru Bolt #1/4-20 X 2 3/8" (1 3/4" Door)	2	Yes
	01-4372	Thru Bolt #1/4-20 X 2 5/8" (2" Door)	2	Yes
	01-4373	Thru Bolt #1/4-20 X 2 7/8" (2 1/4" Door)	2	Yes
	PE-0436	Gasket Narrow (A/C Only)	1	Yes
	PE-0437	Gasket Wide (A/C Only)	1	Yes

¹Specify finish

²Specify lever design by hand

³Specify #46 cylinder by keying requirements

⁴Only required for PE8300, PE8400 & PE8600 devices



The warranty on SARGENT® products becomes void if the product is modified in any way, regardless of whether the modification causes or contributes to any alleged defect. If a SARGENT product is modified it may no longer meet industry certification and quality control standards applicable to the original product and is no longer a genuine SARGENT product.

Copyright © 2023, SARGENT Manufacturing Company. All rights reserved. Reproduction in whole or in part without the express written permission of SARGENT Manufacturing Company is prohibited.

A8373:1 05/23

Experience a safer
and more open world

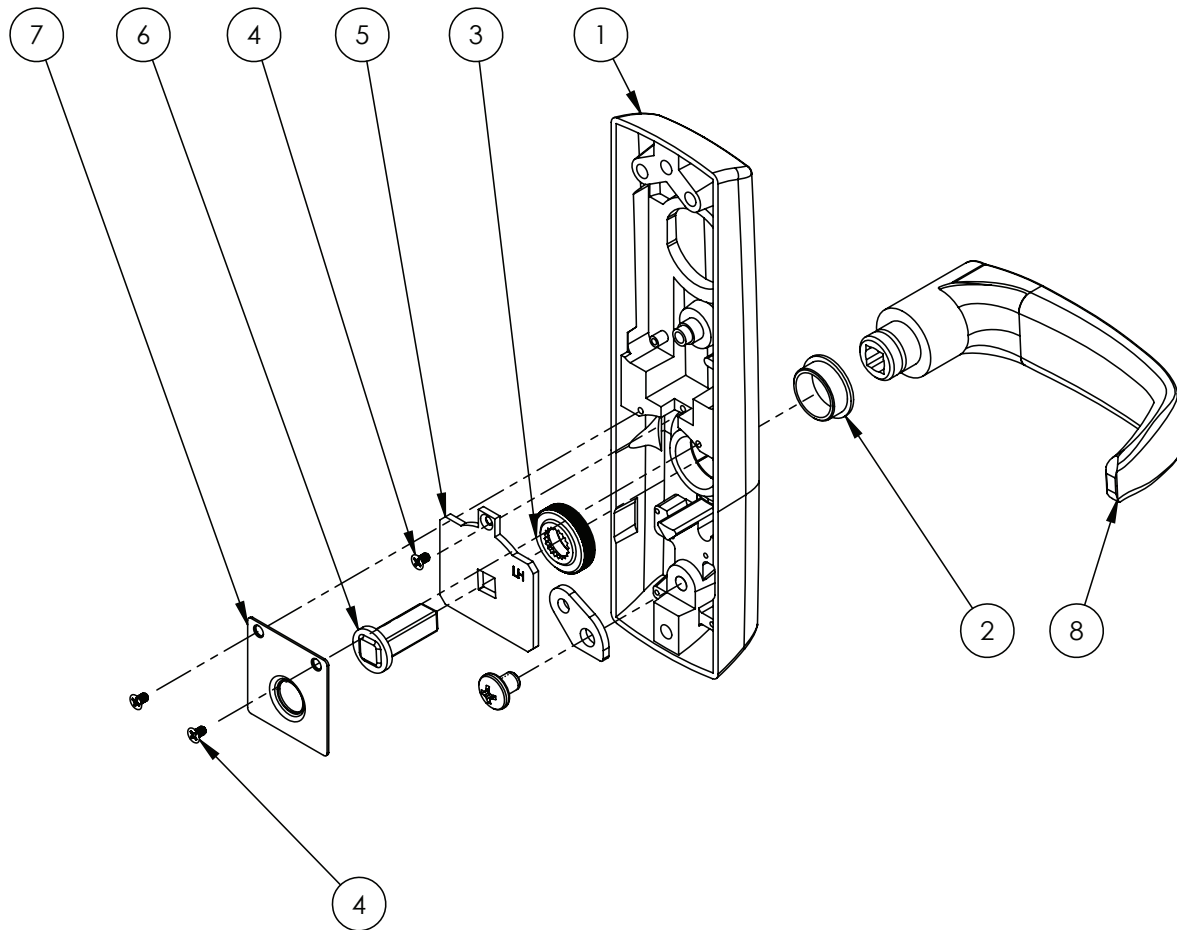
123

P700 Series Lever Trim
P710-4 NE & P710-4 WE

Item	Part No.	Description	Qty	Sellable
1	PE-0426	ET Case Narrow (10-4, 40-4, 15-4)	1	No
	PE-0429	ET Case Wide (10-4, 40-4, 15-4)	1	No
2	97-0477	Bushing Insert	1	Yes
3	PE-0248	Cap Nut Premium	1	Yes
4	01-9708	4-40 X 3/16" FH SS Machine Screw VC-3	3	Yes
5	PE-0048	Lower Hub Plate (04&10 FUNCTION)	1	Yes
6	97-0573	Spindle (704/710)	2	Yes
7	97-0852	Retainer Plate	1	Yes
8	—	Lever Handle ^{1,2}	1	Yes
Not Shown	01-4451	Thru Bolt #1/4-20 X 2 3/8" (1 3/4" Door)	2	Yes
	01-4372	Thru Bolt #1/4-20 X 2 5/8" (2" Door)	2	Yes
	01-4373	Thru Bolt #1/4-20 X 2 7/8" (2 1/4" Door)	2	Yes

¹Specify finish

²Specify lever design by hand



A8373-A 05/23

The warranty on SARGENT® products becomes void if the product is modified in any way, regardless of whether the modification causes or contributes to any alleged defect. If a SARGENT product is modified it may no longer meet industry certification and quality control standards applicable to the original product and is no longer a genuine SARGENT product.

P700 Series Lever Trim
P706-4 NE & P706-4 WE



Item	Part No.	Description	Qty	Sellable
1	PE-0424	Lever Trim Case Narrow (06-4, 13-4, 43-4, 46-4)	1	No
	PE-0427	Lever Trim Case Wide (06-4, 13-4, 43-4, 46-4)	1	No
2	97-0477	Bushing Insert	1	Yes
3	PE-0248	Cap Nut Premium	1	Yes
4	PE-2013	Premium Spring Cartridge Assy	1	Yes
5	PE-0053	Hub Plate Premium	1	Yes
6	01-9708	4-40 X 3/16" FH SS Machine Screw VC-3	4	Yes
7	PE-0256	Spring Plate Premium	1	Yes
8	PE-0262	Bushing Premium	1	Yes
9	P8-2032	Locking Mechanism (06)	1	Yes
10	P8-0048	Spacer	1	Yes
11	01-1183	10-32 X 5/16 MS Truss Head PH VC-3	1	Yes
12	P8-0019	Cam Detent Spring	1	Yes
13	01-9299	4-40 X 3/16" PH Machine Screw	1	Yes
14	—	Lever Handle ^{1,3}	1	Yes
15	—	Cylinder Assembly ^{1,2}	1	Yes
16	—	Collar ¹	1	Yes
17	13-0180	Cylinder Nut	1	Yes
18	P730-4	Spindle Retrofit Kit (1 3/4" Door)	1	Yes
	P730-5	Spindle Retrofit Kit (2" Door)	1	Yes
	P730-6	Spindle Retrofit Kit (2 1/4" Door)	1	Yes
19	68-0852	Cam (-4)	1	Yes
20	01-1027	CR-FHMS 10-24 X 3/8"	1	Yes
Not Shown	01-4451	Thru Bolt #1/4-20 X 2 3/8" (1 3/4" Door)	2	Yes
	01-4372	Thru Bolt #1/4-20 X 2 5/8" (2" Door)	2	Yes
	01-4373	Thru Bolt #1/4-20 X 2 7/8" (2 1/4" Door)	2	Yes

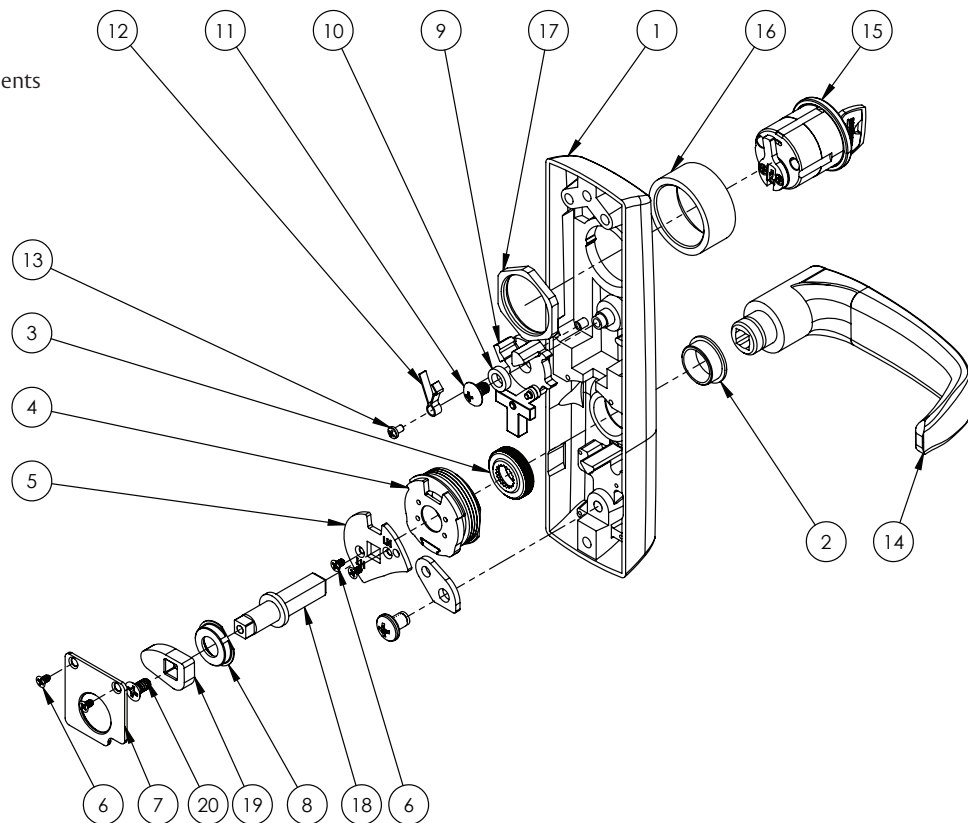
¹ Specify finish

² Specify #41 cylinder by keying requirements

³ Specify lever design by hand

Note: P730 kit includes items required to replace the spindle and thru bolts for specified door thickness

Note: P607 kit includes items 9, 10, 11, 12, and 13



The warranty on SARGENT® products becomes void if the product is modified in any way, regardless of whether the modification causes or contributes to any alleged defect. If a SARGENT product is modified it may no longer meet industry certification and quality control standards applicable to the original product and is no longer a genuine SARGENT product.

Copyright © 2023, SARGENT Manufacturing Company. All rights reserved. Reproduction in whole or in part without the express written permission of SARGENT Manufacturing Company is prohibited.

Experience a safer
and more open world

125

A8373:1 05/23

P700 Series Lever Trim
P713-4 NE & P713-4 WE



Item	Part No.	Description	Qty	Sellable
1	PE-0424	Lever Trim Case Narrow (06-4, 13-4, 43-4, 46-4)	1	No
	PE-0427	Lever Trim Case Wide (06-4, 13-4, 43-4, 46-4)	1	No
2	97-0477	Bushing Insert	1	Yes
3	PE-0248	Cap Nut Premium	1	Yes
4	PE-2013	Premium Spring Cartridge Assy	1	Yes
5	PE-0053	Hub Plate Premium	1	Yes
6	01-9708	4-40 X 3/16" FH SS Machine Screw VC-3	4	Yes
7	PE-0256	Spring Plate Premium	1	Yes
8	PE-0262	Bushing Premium	1	Yes
9	P8-2034	Locking Mechanism (13)	1	Yes
10	P8-0048	Spacer	1	Yes
11	01-1183	10-32 X 5/16 Ms Truss Head PH VC-3	1	Yes
12	P8-0019	Cam Detent Spring	1	Yes
13	01-9299	4-40 X 3/16" PH Machine Screw	1	Yes
14	—	Lever Handle ^{1,3}	1	Yes
15	—	Cylinder Assembly ^{1,2}	1	Yes
16	—	Collar ¹	1	Yes
17	13-0180	Cylinder Nut	1	Yes
18	P730-4	Spindle Retrofit Kit (1 3/4" Door)	1	Yes
	P730-5	Spindle Retrofit Kit (2" Door)	1	Yes
	P730-6	Spindle Retrofit Kit (2 1/4" Door)	1	Yes
19	68-0852	Cam (-4)	1	Yes
20	01-1027	CR-FHMS 10-24 X 3/8"	1	Yes
Not Shown	01-4451	Thru Bolt #1/4-20 X 2 3/8" (1 3/4" Door)	2	Yes
	01-4372	Thru Bolt #1/4-20 X 2 5/8" (2" Door)	2	Yes
	01-4373	Thru Bolt #1/4-20 X 2 7/8" (2 1/4" Door)	2	Yes

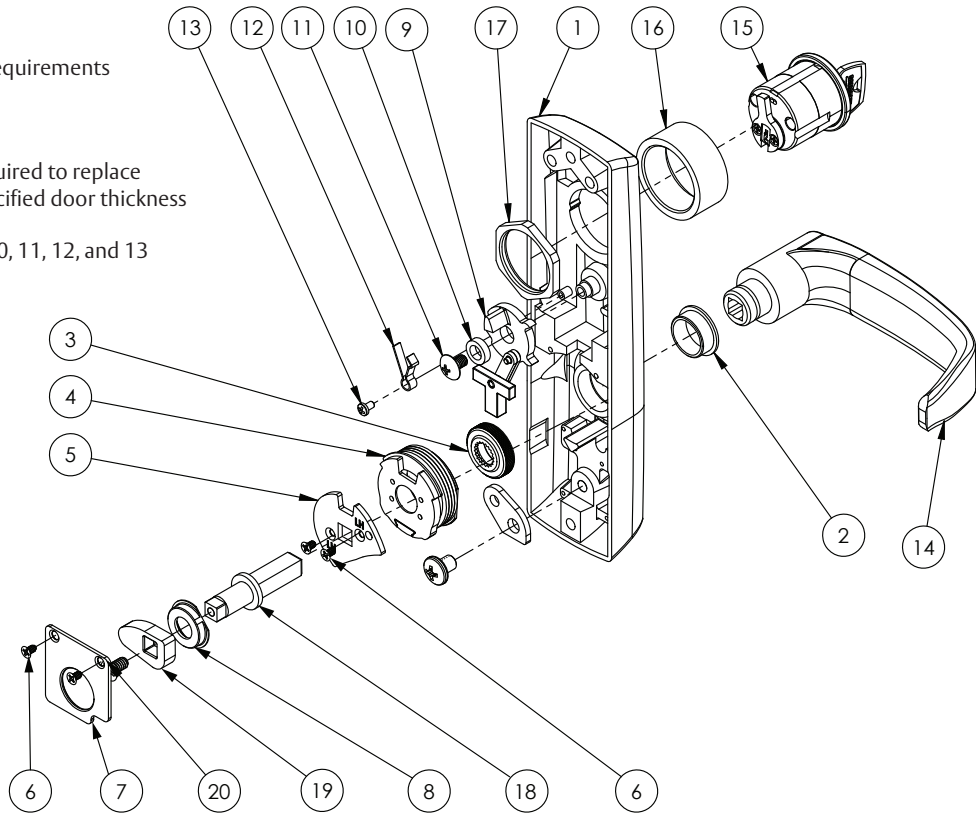
¹Specify finish

²Specify #41 cylinder by keying requirements

³Specify lever design by hand

Note: P730 kit includes items required to replace the spindle and thru bolts for specified door thickness

Note: P607 kit includes items 9, 10, 11, 12, and 13



The warranty on SARGENT® products becomes void if the product is modified in any way, regardless of whether the modification causes or contributes to any alleged defect. If a SARGENT product is modified it may no longer meet industry certification and quality control standards applicable to the original product and is no longer a genuine SARGENT product.

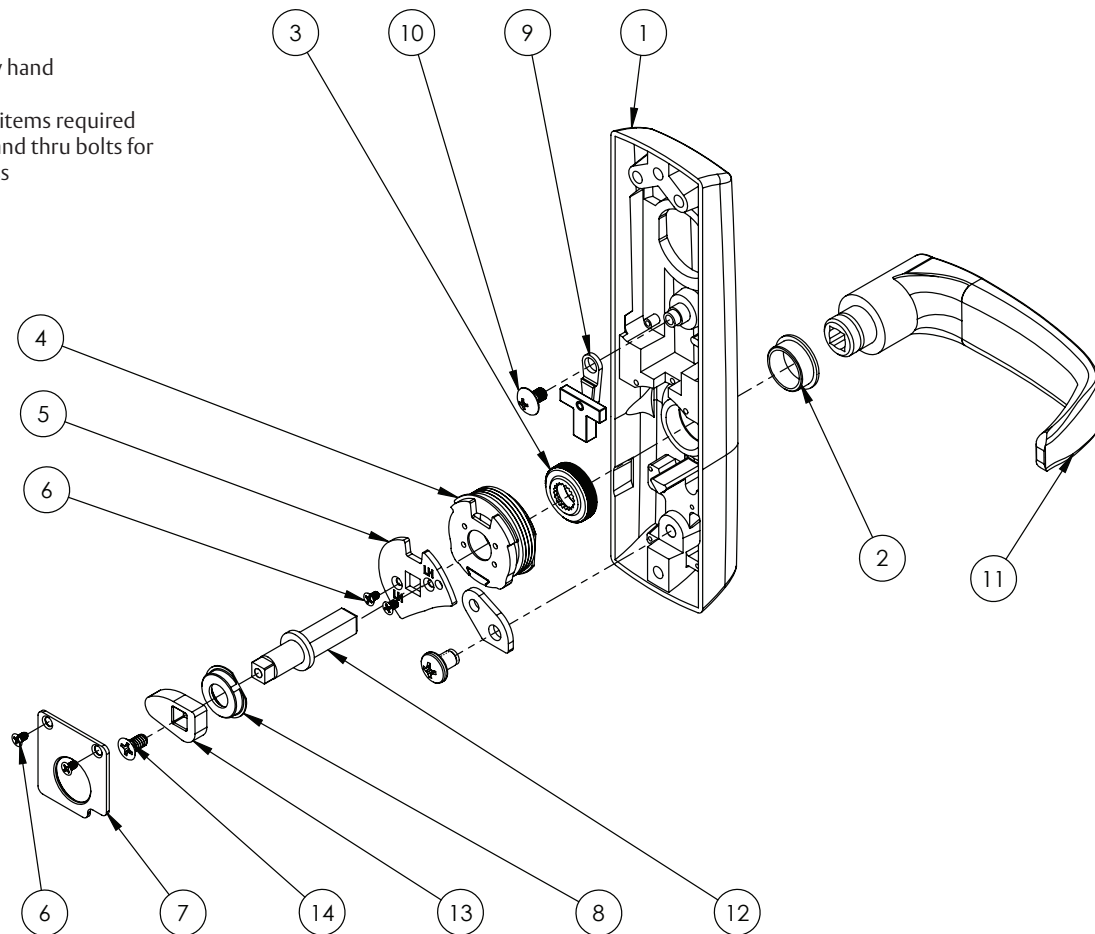
P700 Series Lever Trim
P715-4 NE & P715-4 WE

Item	Part No.	Description	Qty	Sellable
1	PE-0426	Lever Trim Case Narrow (10-4, 40-4, 15-4)	1	No
	PE-0429	Lever Trim Case Wide (10-4, 40-4, 15-4)	1	No
2	97-0477	Bushing Insert	1	Yes
3	PE-0248	Cap Nut Premium	1	Yes
4	PE-2013	Premium Spring Cartridge Assy	1	Yes
5	PE-0053	Hub Plate Premium	1	Yes
6	01-9708	4-40 X 3/16" FH SS Machine Screw VC-3	4	Yes
7	PE-0256	Spring Plate Premium	1	Yes
8	PE-0262	Bushing Premium	1	Yes
9	PE-2060	Locking Mechanism (15, 16)	1	Yes
10	01-1183	10-32 X 5/16 MS Truss Head PH VC-3	1	Yes
11	—	Lever Handle ^{1,2}	1	Yes
12	P730-4	Spindle Retrofit Kit (1 3/4" Door)	1	Yes
	P730-5	Spindle Retrofit Kit (2" Door)	1	Yes
	P730-6	Spindle Retrofit Kit (2 1/4" Door)	1	Yes
13	68-0852	Cam (-4)	1	Yes
14	01-1027	CR-FHMS 10-24 X 3/8"	1	Yes
Not Shown	01-4451	Thru Bolt #1/4-20 X 2 3/8" (1 3/4" Door)	2	Yes
	01-4372	Thru Bolt #1/4-20 X 2 5/8" (2" Door)	2	Yes
	01-4373	Thru Bolt #1/4-20 X 2 7/8" (2 1/4" Door)	2	Yes

¹Specify finish

²Specify lever design by hand

Note: P730 kit includes items required to replace the spindle and thru bolts for specified door thickness



The warranty on SARGENT® products becomes void if the product is modified in any way, regardless of whether the modification causes or contributes to any alleged defect. If a SARGENT product is modified it may no longer meet industry certification and quality control standards applicable to the original product and is no longer a genuine SARGENT product.

Copyright © 2023, SARGENT Manufacturing Company. All rights reserved. Reproduction in whole or in part without the express written permission of SARGENT Manufacturing Company is prohibited.

Experience a safer
 and more open world

P700 Series Lever Trim
P743-4 NE & P743-4 WE



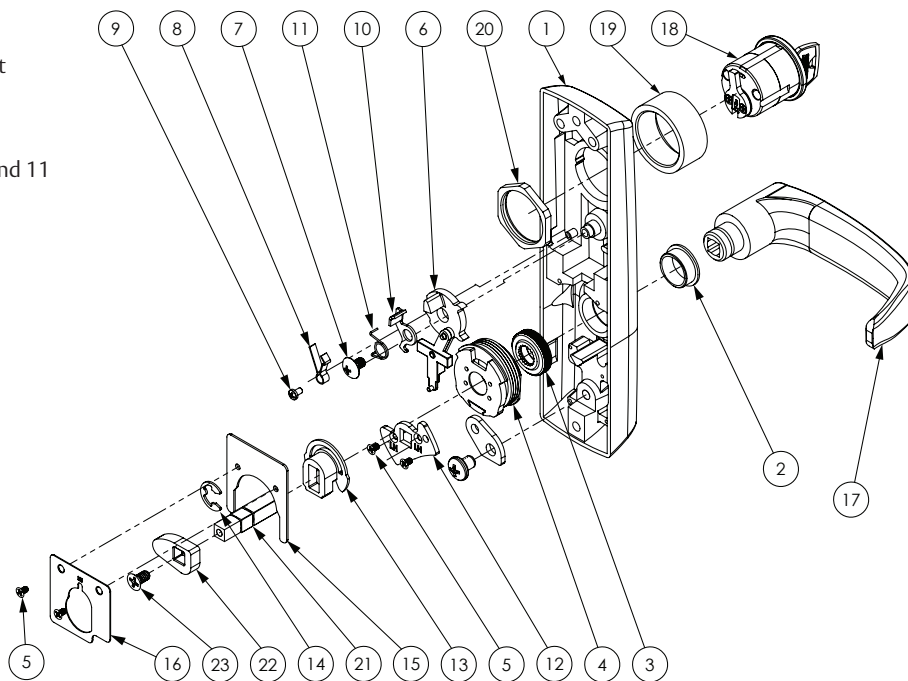
Item	Part No.	Description	Qty	Sellable
1	PE-0424	Lever Trim Case Narrow (06-4, 13-4, 43-4, 46-4)	1	No
	PE-0427	Lever Trim Case Wide (06-4, 13-4, 43-4, 46-4)	1	No
2	97-0477	Bushing Insert	1	Yes
3	PE-0248	Cap Nut Premium	1	Yes
4	PE-2013	Premium Spring Cartridge Assy	1	Yes
5	01-9708	4-40 X 3/16" FH SS Machine Screw VC-3	4	Yes
6	P8-2031	Locking Mechanism (43)	1	Yes
7	01-1183	10-32 X 5/16 Ms Truss Head Ph Vc-3	1	Yes
8	P8-0019	Cam Detent Spring	1	Yes
9	01-9299	4-40 X 3/16" PH Machine Screw	1	Yes
10	P8-0045	Guarding Bracket (43 Function)	1	Yes
11	P8-0047	Guarding Spring	1	Yes
12	PE-0054	FW Hub Plate Premium	1	Yes
13	PE-0299	Spindle Lock Premium FW	1	Yes
14	01-9709	8 mm Side Mount Retaining Ring	1	Yes
15	PE-0269	FW Retainer Plate	1	Yes
16	PE-0352	FW Pear Cover Plate	1	Yes
17	—	Lever Handle ^{1,3}	1	Yes
18	—	Cylinder Assembly ^{1,2}	1	Yes
19	—	Collar ¹	1	Yes
20	13-0180	Cylinder Nut	1	Yes
21	PE-2310	PE Spindle Assembly (1 3/4" Door) P700-4	1	Yes
	PE-2311	PE Spindle Assembly (2" Door) P700-4	1	Yes
	PE-2312	PE Spindle Assembly (2 1/4" Door) P700-4	1	Yes
22	68-0852	Cam (-4)	1	Yes
23	01-1027	CR-FHMS 10-24 X 3/8"	1	Yes
Not Shown	01-4451	Thru Bolt #1/4-20 X 2 3/8" (1 3/4" Door)	2	Yes
	01-4372	Thru Bolt #1/4-20 X 2 5/8" (2" Door)	2	Yes
	01-4373	Thru Bolt #1/4-20 X 2 7/8" (2 1/4" Door)	2	Yes

¹Specify finish

²Specify #41 cylinder by keying requirement

³Specify lever design by hand

Note: P607 kit includes items 6, 7, 8, 9, 10, and 11



A8373-A 05/23

The warranty on SARGENT® products becomes void if the product is modified in any way, regardless of whether the modification causes or contributes to any alleged defect. If a SARGENT product is modified it may no longer meet industry certification and quality control standards applicable to the original product and is no longer a genuine SARGENT product.

P700 Series Lever Trim
P746-4 NE & P746-4 WE



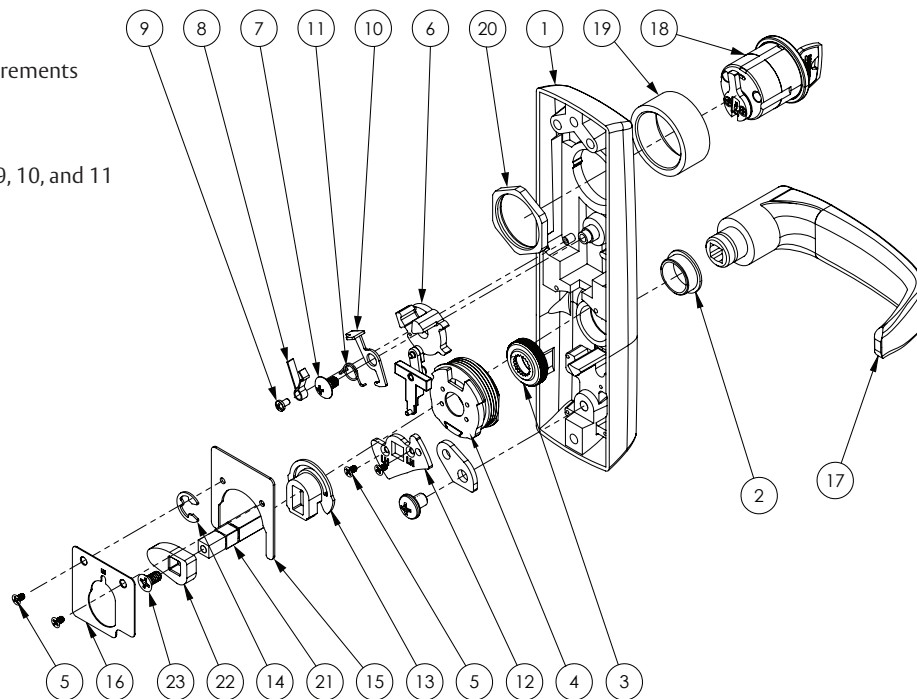
Item	Part No.	Description	Qty	Sellable
1	PE-0424	Lever Trim Case Narrow (06-4, 13-4, 43-4, 46-4)	1	No
	PE-0427	Lever Trim Case Wide (06-4, 13-4, 43-4, 46-4)	1	No
2	97-0477	Bushing Insert	1	Yes
3	PE-0248	Cap Nut Premium	1	Yes
4	PE-2013	Premium Spring Cartridge Assy	1	Yes
5	01-9708	4-40 X 3/16" FH SS Machine Screw VC-3	4	Yes
6	P8-2033	Locking Mechanism (46)	1	Yes
7	01-1183	10-32 X 5/16 Ms Truss Head Ph Vc-3	1	Yes
8	P8-0019	Cam Detent Spring	1	Yes
9	01-9299	4-40 X 3/16" PH Machine Screw	1	Yes
10	P8-0046	Guarding Bracket (46 Function)	1	Yes
11	P8-0047	Guarding Spring	1	Yes
12	PE-0054	FW Hub Plate Premium	1	Yes
13	PE-0299	Spindle Lock Premium FW	1	Yes
14	01-9709	8 mm Side Mount Retaining Ring	1	Yes
15	PE-0269	FW Retainer Plate	1	Yes
16	PE-0352	FW Pear Cover Plate	1	Yes
17	—	Lever Handle ^{1,3}	1	Yes
18	—	Cylinder Assembly ^{1,2}	1	Yes
19	—	Collar ¹	1	Yes
20	13-0180	Cylinder Nut	1	Yes
21	PE-2310	PE Spindle Assembly (1 3/4" Door) P700-4	1	Yes
	PE-2311	PE Spindle Assembly (2" Door) P700-4	1	Yes
	PE-2312	PE Spindle Assembly (2 1/4" Door) P700-4	1	Yes
22	68-0852	Cam (-4)	1	Yes
23	01-1027	CR-FHMS 10-24 X 3/8"	1	Yes
Not Shown	01-4451	Thru Bolt #1/4-20 X 2 3/8" (1 3/4" Door)	2	Yes
	01-4372	Thru Bolt #1/4-20 X 2 5/8" (2" Door)	2	Yes
	01-4373	Thru Bolt #1/4-20 X 2 7/8" (2 1/4" Door)	2	Yes

¹Specify finish

²Specify #41 cylinder by keying requirements

³Specify lever design by hand

Note: P607 kit includes items 6, 7, 8, 9, 10, and 11



The warranty on SARGENT® products becomes void if the product is modified in any way, regardless of whether the modification causes or contributes to any alleged defect. If a SARGENT product is modified it may no longer meet industry certification and quality control standards applicable to the original product and is no longer a genuine SARGENT product.

Copyright © 2023, SARGENT Manufacturing Company. All rights reserved. Reproduction in whole or in part without the express written permission of SARGENT Manufacturing Company is prohibited.

A8373:1 05/23

Experience a safer
and more open world

129

P700 Series Lever Trim
P773-4 NE, P774-4 NE, P778-4 NE,
P773-4 WE, P774-4 WE, P778-4 WE

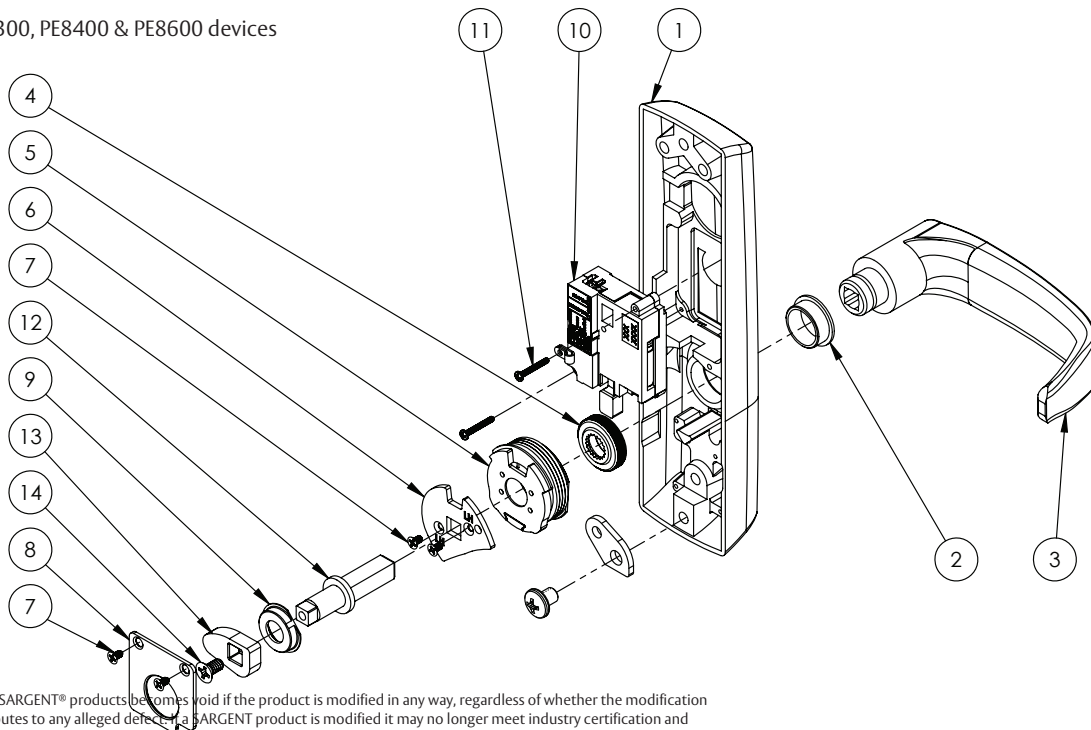


Item	Part No.	Description	Qty	Sellable
1	PE-0425	Lever Trim Case Narrow (73-4, 74-4, 78-4)	1	No
	PE-0428	Lever Trim Case Wide (73-4, 74-4, 78-4)	1	No
2	97-0477	Lever Trim Bushing Insert	1	Yes
3	—	Lever Handle ^{1,2}	1	Yes
4	PE-0248	Cap Nut Premium	1	Yes
5	PE-2013	Premium Spring Cartridge Assy	1	Yes
6	PE-0053	Hub Plate Premium	1	Yes
7	01-9708	4-40 X 3/16" FH SS Machine Screw VC-3	1	Yes
8	PE-0256	Spring Plate Premium	1	Yes
9	PE-0262	Bushing Premium	1	Yes
10	PE-2012	Ecoflex Motor Actuator Assembly	1	Yes
11	01-4383	#2-56 X 5/8" Ph Pan Head Machine Screw	2	Yes
12	P730-4	Spindle Retrofit Kit (1 3/4" Door)	1	Yes
	P730-5	Spindle Retrofit Kit (2" Door)	1	Yes
	P730-6	Spindle Retrofit Kit (2 1/4" Door)	1	Yes
Not Shown	52-6175	PE Trim Jumper Harness ³	1	Yes
	52-5783	Ecoflex ET Harness SN	1	Yes
	52-5657	Ecoflex Lever Trim Harness P1, P2, IN120, IN220, INKP	1	Yes
	52-5652	Ecoflex ET Harness IN100	1	Yes
13	68-0852	Cam (-4)	1	Yes
14	01-1027	CR-FHMS 10-24 X 3/8"	1	Yes
Not Shown	01-4451	Thru Bolt #1/4-20 X 2 3/8" (1 3/4" Door)	2	Yes
	01-4372	Thru Bolt #1/4-20 X 2 5/8" (2" Door)	2	Yes
	01-4373	Thru Bolt #1/4-20 X 2 7/8" (2 1/4" Door)	2	Yes
	PE-0436	Gasket Narrow (A/C Only)	1	Yes
	PE-0437	Gasket Wide (A/C Only)	1	Yes

¹Specify finish

²Specify lever design by hand

³Only required for PE8300, PE8400 & PE8600 devices



The warranty on SARGENT® products becomes void if the product is modified in any way, regardless of whether the modification causes or contributes to any alleged defect. A SARGENT product is modified if it may no longer meet industry certification and quality control standards applicable to the original product and is no longer a genuine SARGENT product.

Copyright © 2023, SARGENT Manufacturing Company. All rights reserved. Reproduction in whole or in part without the express written permission of SARGENT Manufacturing Company is prohibited.

Experience a safer
and more open world

P700 Series Lever Trim
P706-8 NE & P706-8 WE



Item	Part No.	Description	Qty	Sellable
1	PE-0061	Lever Trim Case Narrow (06, 13, 43, 46)	1	No
	PE-0070	Lever Trim Case Wide (06, 13, 43, 46)	1	No
2	97-0477	Bushing Insert	1	Yes
3	PE-0248	Cap Nut Premium	1	Yes
4	PE-2013	Premium Spring Cartridge Assy	1	Yes
5	PE-0053	Hub Plate Premium	1	Yes
6	01-9708	4-40 X 3/16" FH SS Machine Screw VC-3	4	Yes
7	PE-0256	Spring Plate Premium	1	Yes
8	PE-0262	Bushing Premium	1	Yes
9	P8-2032	Locking Mechanism (06)	1	Yes
10	P8-0048	Spacer	1	Yes
11	01-1183	10-32 X 5/16 MS Truss Head PH VC-3	1	Yes
12	P8-0019	Cam Detent Spring	1	Yes
13	01-9299	4-40 X 3/16" PH Machine Screw	1	Yes
14	—	Lever Handle ^{1,3}	1	Yes
15	—	Cylinder Assembly ^{1,2}	1	Yes
16	—	Collar ¹	1	Yes
17	13-0180	Cylinder Nut	1	Yes
18	P730-7	Spindle Retrofit Kit (1-3/4" Door)	1	Yes
	P730-8	Spindle Retrofit Kit (2" Door)	1	Yes
	P730-9	Spindle Retrofit Kit (2-1/4" Door)	1	Yes
Not Shown	01-4451	Thru Bolt #1/4-20 X 2 3/8" (1 3/4" Door)	2	Yes
	01-4372	Thru Bolt #1/4-20 X 2 5/8" (2" Door)	2	Yes
	01-4373	Thru Bolt #1/4-20 X 2 7/8" (2 1/4" Door)	2	Yes

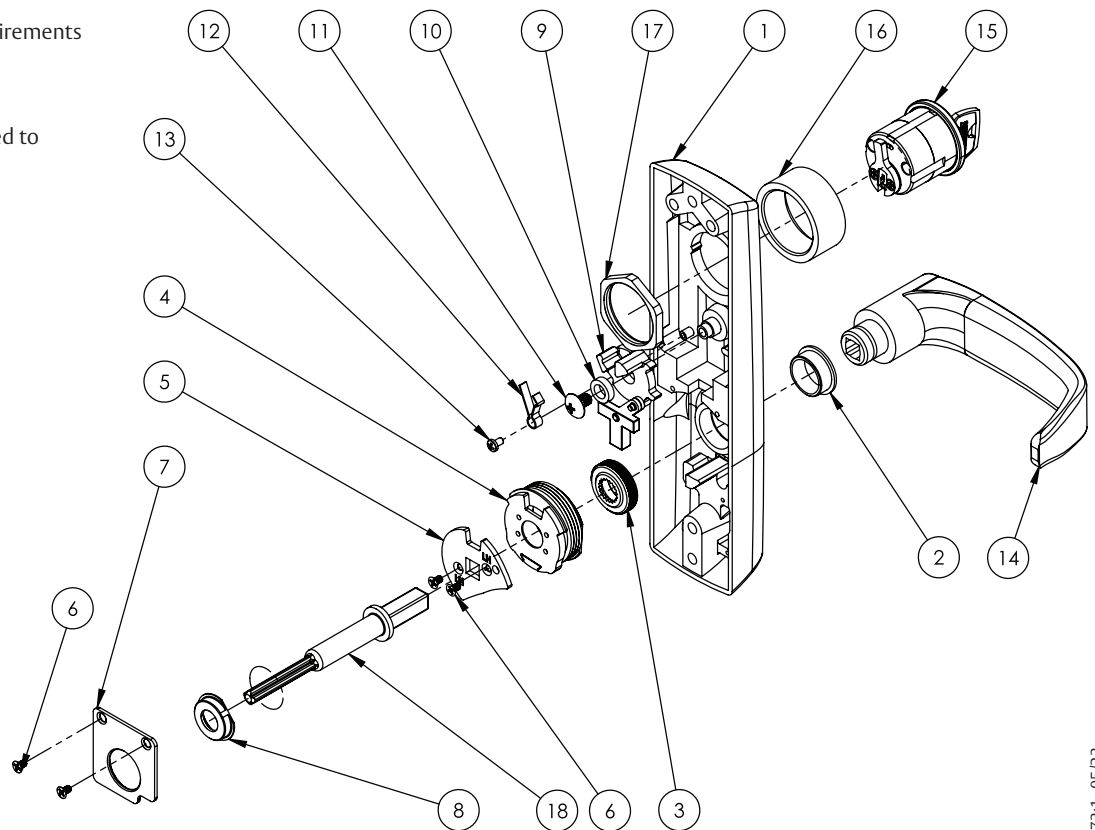
¹Specify finish

²Specify #41 cylinder by keying requirements

³Specify lever design by hand

Note: P730 kit includes items required to replace the spindle and thru bolts for specified door thickness

Note: P607 kit includes items 9, 10, 11, 12, and 13



The warranty on SARGENT® products becomes void if the product is modified in any way, regardless of whether the modification causes or contributes to any alleged defect. If a SARGENT product is modified it may no longer meet industry certification and quality control standards applicable to the original product and is no longer a genuine SARGENT product.

Copyright © 2023, SARGENT Manufacturing Company. All rights reserved. Reproduction in whole or in part without the express written permission of SARGENT Manufacturing Company is prohibited.

Experience a safer
and more open world

131

A8373:1 05/23

P700 Series Lever Trim
P713-8 NE & P713-8 WE



Item	Part No.	Description	Qty	Sellable
1	PE-0061	Lever Trim Case Narrow (06, 13, 43, 46)	1	No
	PE-0070	Lever Trim Case Wide (06, 13, 43, 46)	1	No
2	97-0477	Bushing Insert	1	Yes
3	PE-0248	Cap Nut Premium	1	Yes
4	PE-2013	Premium Spring Cartridge Assy	1	Yes
5	PE-0053	Hub Plate Premium	1	Yes
6	01-9708	4-40 X 3/16" FH SS Machine Screw VC-3	4	Yes
7	PE-0256	Spring Plate Premium	1	Yes
8	PE-0262	Bushing Premium	1	Yes
9	P8-2034	Locking Mechanism (13)	1	Yes
10	P8-0048	Spacer	1	Yes
11	01-1183	10-32 X 5/16 Ms Truss Head PH VC-3	1	Yes
12	P8-0019	Cam Detent Spring	1	Yes
13	01-9299	4-40 X 3/16" PH Machine Screw	1	Yes
14	—	Lever Handle ^{1,3}	1	Yes
15	—	Cylinder Assembly ^{1,2}	1	Yes
16	97-0350	Collar ¹	1	Yes
17	13-0180	Cylinder Nut	1	Yes
18	P730-7	Spindle Retrofit Kit (1-3/4" Door)	1	Yes
	P730-8	Spindle Retrofit Kit (2" Door)	1	Yes
	P730-9	Spindle Retrofit Kit (2-1/4" Door)	1	Yes
Not Shown	01-4451	Thru Bolt #1/4-20 X 2 3/8" (1 3/4" Door)	2	Yes
	01-4372	Thru Bolt #1/4-20 X 2 5/8" (2" Door)	2	Yes
	01-4373	Thru Bolt #1/4-20 X 2 7/8" (2 1/4" Door)	2	Yes

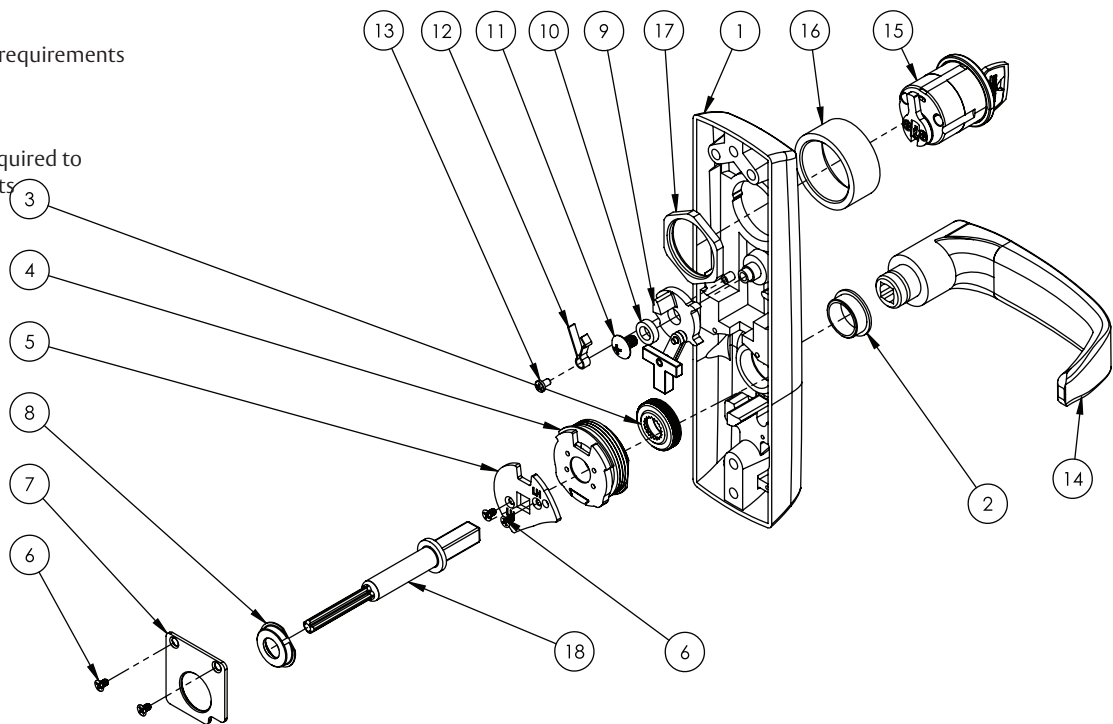
¹ Specify finish

² Specify #41 cylinder by keying requirements

³ Specify lever design by hand

Note: P730 kit includes items required to replace the spindle and thru bolts for specified door thickness

Note: P607 kit includes items 9, 10, 11, 12, and 13



A8373-A 05/23

The warranty on SARGENT® products becomes void if the product is modified in any way, regardless of whether the modification causes or contributes to any alleged defect. If a SARGENT product is modified it may no longer meet industry certification and quality control standards applicable to the original product and is no longer a genuine SARGENT product.

P700 Series Lever Trim
P715-8 NE & P715-8 WE

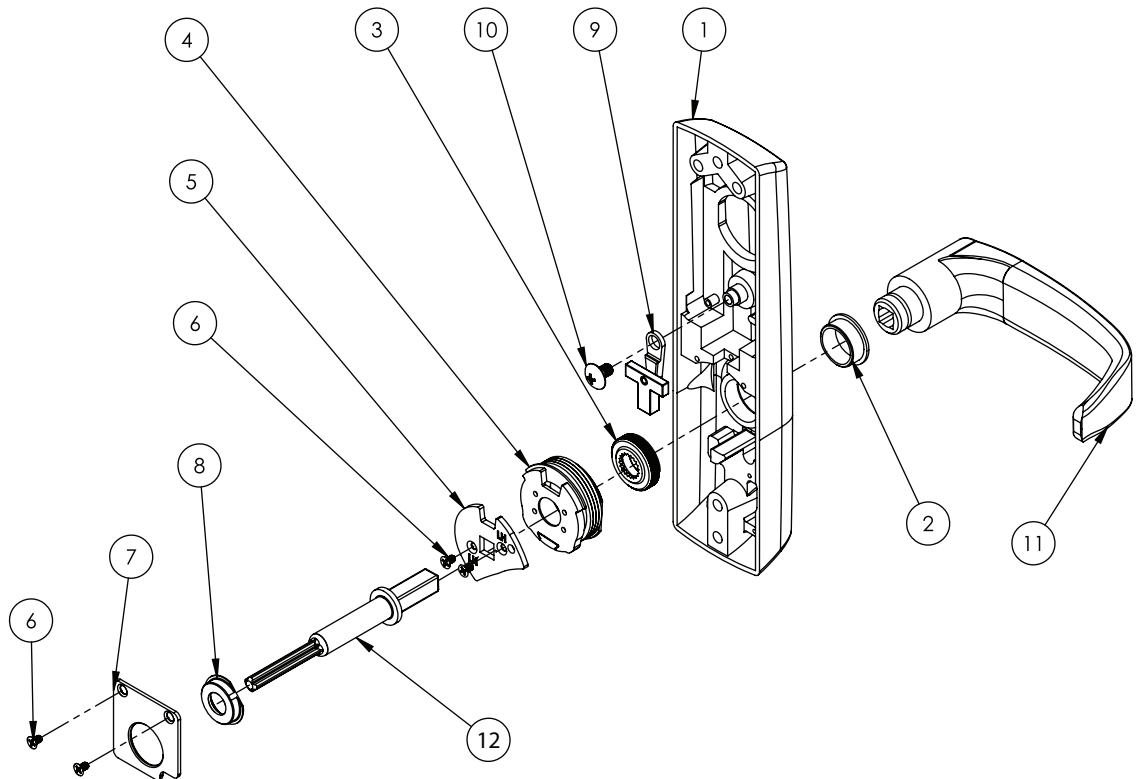


Item	Part No.	Description	Qty	Sellable
1	PE-0062	Lever Trim Case Narrow (10, 40, 15)	1	No
	PE-0071	Lever Trim Case Wide (10, 40, 15)	1	No
2	97-0477	Bushing Insert	1	Yes
3	PE-0248	Cap Nut Premium	1	Yes
4	PE-2013	Premium Spring Cartridge Assy	1	Yes
5	PE-0053	Hub Plate Premium	1	Yes
6	01-9708	4-40 X 3/16" FH SS Machine Screw VC-3	4	Yes
7	PE-0256	Spring Plate Premium	1	Yes
8	PE-0262	Bushing Premium	1	Yes
9	PE-2060	Locking Mechanism (15, 16)	1	Yes
10	01-1183	10-32 X 5/16 MS Truss Head PH VC-3	1	Yes
11	—	Lever Handle ^{1,2}	1	Yes
12	P730-7	Spindle Retrofit Kit (1 3/4" Door)	1	Yes
	P730-8	Spindle Retrofit Kit (2" Door)	1	Yes
	P730-9	Spindle Retrofit Kit (2 1/4" Door)	1	Yes
Not Shown	01-4451	Thru Bolt #1/4-20 X 2 3/8" (1 3/4" Door)	2	Yes
	01-4372	Thru Bolt #1/4-20 X 2 5/8" (2" Door)	2	Yes
	01-4373	Thru Bolt #1/4-20 X 2 7/8" (2 1/4" Door)	2	Yes

¹Specify finish

²Specify lever design by hand

Note: P730 kit includes items required to replace the spindle and thru bolts for specified door thickness



The warranty on SARGENT® products becomes void if the product is modified in any way, regardless of whether the modification causes or contributes to any alleged defect. If a SARGENT product is modified it may no longer meet industry certification and quality control standards applicable to the original product and is no longer a genuine SARGENT product.

Copyright © 2023, SARGENT Manufacturing Company. All rights reserved. Reproduction in whole or in part without the express written permission of SARGENT Manufacturing Company is prohibited.

A8373:1 05/23

Experience a safer
and more open world

133

P700 Series Lever Trim
P743-8 NE & P743-8 WE



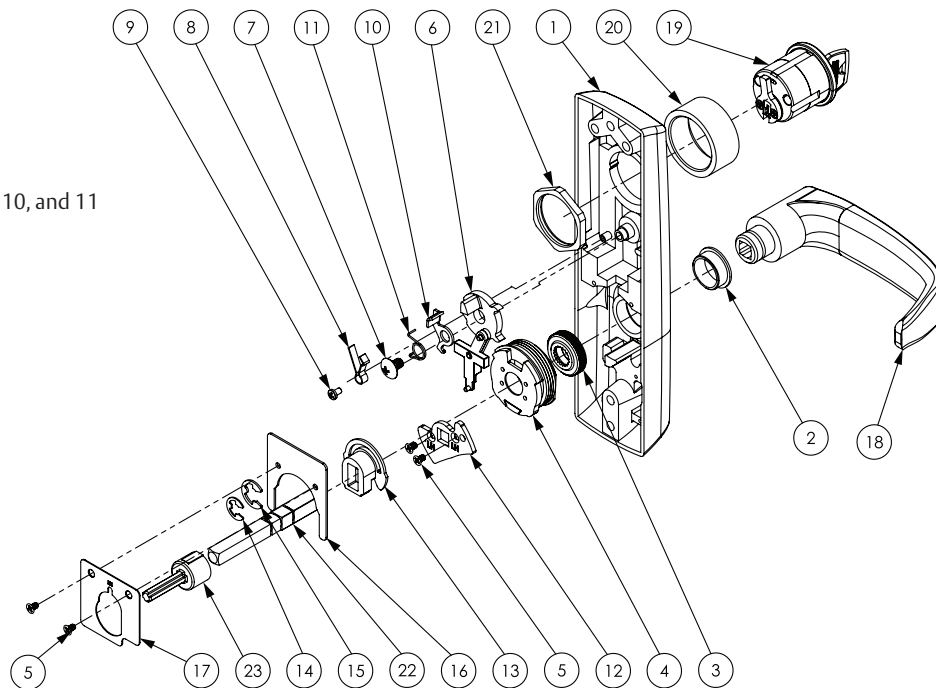
Item	Part No.	Description	Qty	Sellable
1	PE-0061	Lever Trim Case Narrow (06, 13, 43, 46)	1	No
	PE-0070	Lever Trim Case Wide (06, 13, 43, 46)	1	No
2	97-0477	Bushing Insert	1	Yes
3	PE-0248	Cap Nut Premium	1	Yes
4	PE-2013	Premium Spring Cartridge Assy	1	Yes
5	01-9708	4-40 X 3/16" FH SS Machine Screw VC-3	4	Yes
6	P8-2031	Locking Mechanism (43)	1	Yes
7	01-1183	10-32 X 5/16 MS Truss Head PH VC-3	1	Yes
8	P8-0019	Cam Detent Spring	1	Yes
9	01-9299	4-40 X 3/16" PH Machine Screw	1	Yes
10	P8-0045	Guarding Bracket (43 Function)	1	Yes
11	P8-0047	Guarding Spring	1	Yes
12	PE-0054	FW Hub Plate Premium	1	Yes
13	PE-0299	Spindle Lock Premium FW	1	Yes
14	97-0527	E Clip 0.312 Shaft	1	Yes
15	01-9709	8 mm Side Mount Retaining Ring	1	Yes
16	PE-0269	FW Retainer Plate	1	Yes
17	PE-0352	FW Pear Cover Plate	1	Yes
18	—	Lever Handle ^{1,3}	1	Yes
19	—	Cylinder Assembly ^{1,2}	1	Yes
20	—	Collar ¹	1	Yes
21	13-0180	Cylinder Nut	1	Yes
22	PE-2307	PE Spindle Assembly (1 3/4" Door)	1	Yes
	PE-2308	PE Spindle Assembly (2" Door)	1	Yes
	PE-2309	PE Spindle Assembly (2 1/4" Door)	1	Yes
23	68-3671	Spindle Adapter	1	Yes
Not Shown	01-4451	Thru Bolt #1/4-20 X 2 3/8" (1 3/4" Door)	2	Yes
	01-4372	Thru Bolt #1/4-20 X 2 5/8" (2" Door)	2	Yes
	01-4373	Thru Bolt #1/4-20 X 2 7/8" (2 1/4" Door)	2	Yes

¹Specify finish

²Specify #41 cylinder by keying requirement

³Specify lever design by hand

Note: P607 kit includes items 6, 7, 8, 9, 10, and 11



A8373-A 05/23

The warranty on SARGENT® products becomes void if the product is modified in any way, regardless of whether the modification causes or contributes to any alleged defect. If a SARGENT product is modified it may no longer meet industry certification and quality control standards applicable to the original product and is no longer a genuine SARGENT product.

P700 Series Lever Trim
P746-8 NE & P746-8 WE



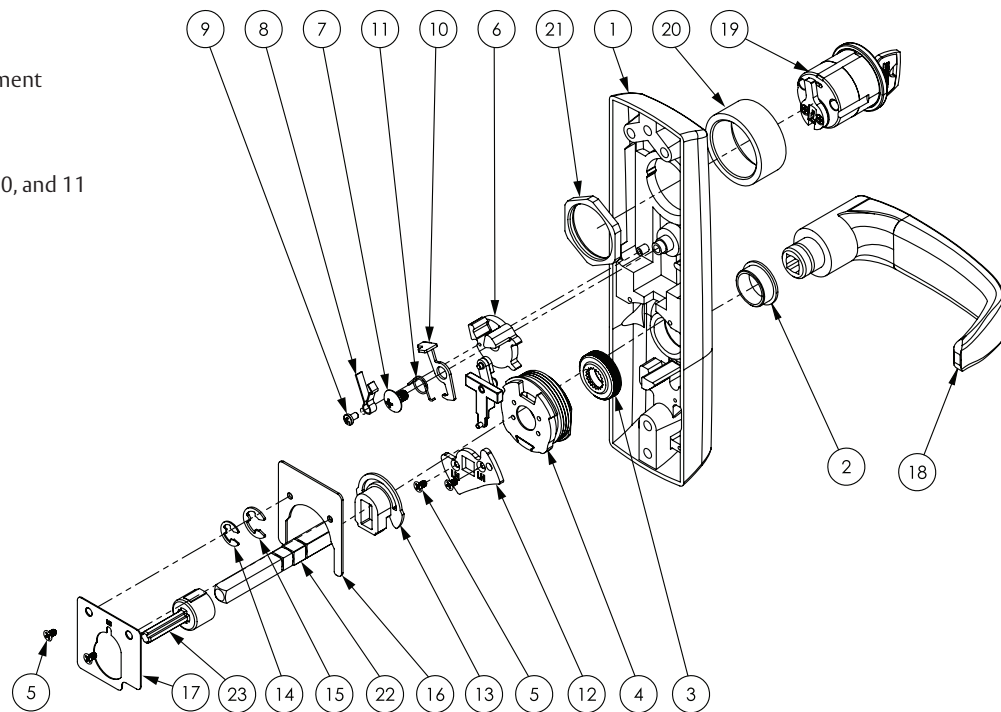
Item	Part No.	Description	Qty	Sellable
1	PE-0061	Lever Trim Case Narrow (06, 13, 43, 46)	1	No
	PE-0070	Lever Trim Case Wide (06, 13, 43, 46)	1	No
2	97-0477	Bushing Insert	1	Yes
3	PE-0248	Cap Nut Premium	1	Yes
4	PE-2013	Premium Spring Cartridge Assy	1	Yes
5	01-9708	4-40 X 3/16" FH SS Machine Screw VC-3	4	Yes
6	P8-2033	Locking Mechanism (46)	1	Yes
7	01-1183	10-32 X 5/16 MS Truss Head PH VC-3	1	Yes
8	P8-0019	Cam Detent Spring	1	Yes
9	01-9299	4-40 X 3/16" PH Machine Screw	1	Yes
10	P8-0046	Guarding Bracket (46 Function)	1	Yes
11	P8-0047	Guarding Spring	1	Yes
12	PE-0054	FW Hub Plate Premium	1	Yes
13	PE-0299	Spindle Lock Premium FW	1	Yes
14	97-0527	E Clip 0.312 Shaft	1	Yes
15	01-9709	8 mm Side Mount Retaining Ring	1	Yes
16	PE-0269	FW Retainer Plate	1	Yes
17	PE-0352	FW Pear Cover Plate	1	Yes
18	—	Lever Handle ^{1,3}	1	Yes
19	—	Cylinder Assembly ^{1,2}	1	Yes
20	—	Collar ¹	1	Yes
21	13-0180	Cylinder Nut	1	Yes
22	PE-2307	PE Spindle Assembly (1 3/4" Door)	1	Yes
	PE-2308	PE Spindle Assembly (2" Door)	1	Yes
	PE-2309	PE Spindle Assembly (2 1/4" Door)	1	Yes
23	68-3671	Spindle Adapter	1	Yes
Not Shown	01-4451	Thru Bolt #1/4-20 X 2 3/8" (1 3/4" Door)	2	Yes
	01-4372	Thru Bolt #1/4-20 X 2 5/8" (2" Door)	2	Yes
	01-4373	Thru Bolt #1/4-20 X 2 7/8" (2 1/4" Door)	2	Yes

¹Specify finish

²Specify #41 cylinder by keying requirement

³Specify lever design by hand

Note: P607 kit includes items 6, 7, 8, 9, 10, and 11



The warranty on SARGENT® products becomes void if the product is modified in any way, regardless of whether the modification causes or contributes to any alleged defect. If a SARGENT product is modified it may no longer meet industry certification and quality control standards applicable to the original product and is no longer a genuine SARGENT product.

Copyright © 2023, SARGENT Manufacturing Company. All rights reserved. Reproduction in whole or in part without the express written permission of SARGENT Manufacturing Company is prohibited.

Experience a safer
and more open world

135

A8373:1 05/23

P700 Series Lever Trim
P773-8 NE, P774-8 NE, P778-8 NE,
P773-8 WE, P774-8 WE, P778-8 WE



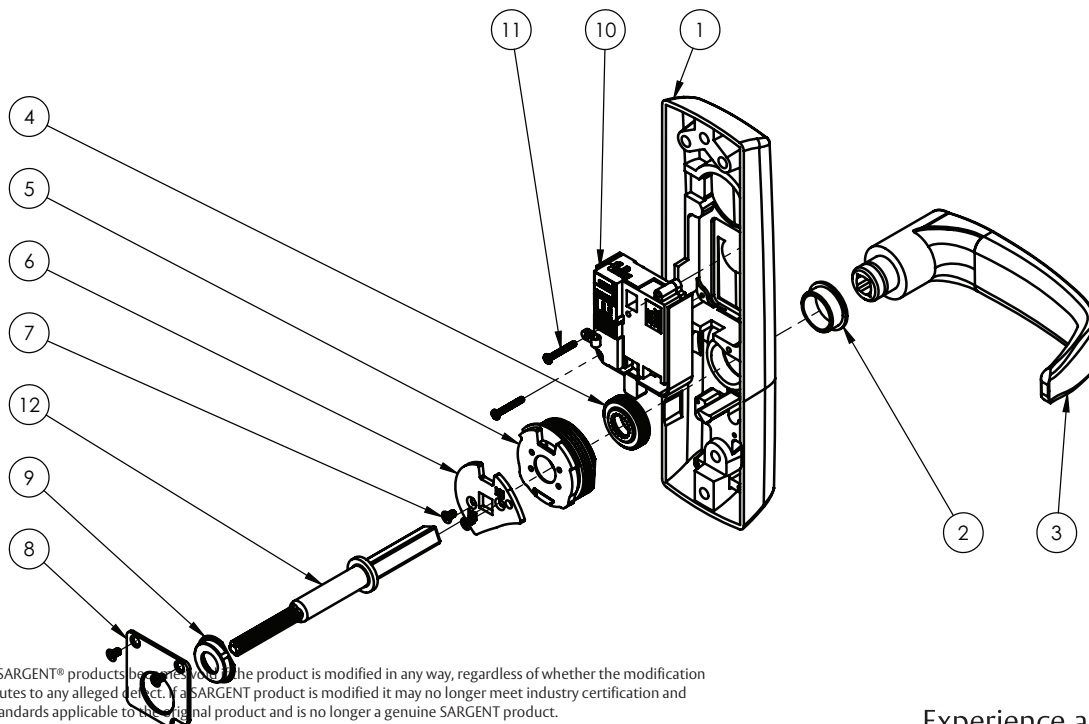
Item	Part #	Description	Qty	Sellable
1	PE-0060	ET Case Narrow (73, 74, 78)	1	No
	PE-0069	ET Case Wide (73, 74, 78)	1	No
2	97-0477	ET Bushing Insert	1	Yes
3	—	Lever Handle ^{1,3}	1	Yes
4	PE-0248	Cap Nut Premium	1	Yes
5	PE-2013	Premium Spring Cartridge Assy	1	Yes
6	PE-0053	Hub Plate Premium	1	Yes
7	01-9708	4-40 X 3/16" FH SS Machine Screw VC-3	4	Yes
8	PE-0256	Spring Plate Premium	1	Yes
9	PE-0262	Bushing Premium	1	Yes
10	PE-2012	Ecoflex Motor Actuator Assembly	1	Yes
11	01-4383	#2-56 X 5/8" Ph Pan Head Machine Screw	2	Yes
12	P730-7	Spindle Retrofit Kit (1 3/4" Door)	1	Yes
	P730-8	Spindle Retrofit Kit (2" Door)	1	Yes
	P730-9	Spindle Retrofit Kit (2 1/4" Door)	1	Yes
Not Shown	52-6175	PE Trim Jumper Harness ³	1	Yes
	52-5783	Ecoflex ET Harness SN	1	Yes
	52-5657	Ecoflex ET Harness P1, P2, IN120, IN220, INKP	1	Yes
	52-5652	Ecoflex ET Harness IN100	1	Yes
	01-4451	Thru Bolt #1/4-20 X 2 3/8" (1 3/4" Door)	2	Yes
	01-4372	Thru Bolt #1/4-20 X 2 5/8" (2" Door)	2	Yes
	01-4373	Thru Bolt #1/4-20 X 2 7/8" (2 1/4" Door)	2	Yes
	PE-0436	Gasket Narrow (A/C Only)	1	Yes
PE-0437	Gasket Wide (A/C Only)	1	Yes	

¹ Specify finish

² Specify lever design by hand

³ Only required for PE8300, PE8400 & PE8600 devices

Note: P730 kit includes items required to replace the spindle and thru bolts for specified door thickness



The warranty on SARGENT® products becomes void if the product is modified in any way, regardless of whether the modification causes or contributes to any alleged defect. If a SARGENT product is modified it may no longer meet industry certification and quality control standards applicable to the original product and is no longer a genuine SARGENT product.

Copyright © 2023, SARGENT Manufacturing Company. All rights reserved. Reproduction in whole or in part without the express written permission of SARGENT Manufacturing Company is prohibited.

A8373-A 05/23

P700 Series Lever Trim
P775-8 NE, P776-8 NE, P777-8 NE,
P775-8 WE, P776-8 WE, P777-8 WE



Item	Part No.	Description	Qty	Sellable
1	PE-0059	Lever Trim Case Narrow (75, 76, 77)	1	No
	PE-0068	Lever Trim Case Wide (75, 76, 77)	1	No
2	97-0477	Lever Trim Bushing Insert	1	Yes
3	—	Lever Handle ^{1,2}	1	Yes
4	PE-0248	Cap Nut Premium	1	Yes
5	PE-2013	Premium Spring Cartridge Assy	1	Yes
6	PE-0053	Hub Plate Premium	1	Yes
7	01-9708	4-40 X 3/16" FH SS Machine Screw VC-3	4	Yes
8	PE-0256	Spring Plate Premium	1	Yes
9	PE-0262	Bushing Premium	1	Yes
10	PE-2012	Ecoflex Motor Actuator Assembly	1	Yes
11	01-4383	#2-56 X 5/8" Ph Pan Head Machine Screw	2	Yes
12	P730-7	Spindle Retrofit Kit (1 3/4" Door)	1	Yes
	P730-8	Spindle Retrofit Kit (2" Door)	1	Yes
	P730-9	Spindle Retrofit Kit (2 1/4" Door)	1	Yes
Not Shown	52-6175	PE Trim Jumper Harness ⁴	1	Yes
	52-5783	Ecoflex Lever Trim Harness SN	1	Yes
	52-5657	Ecoflex ET Harness P1, P2, IN120, IN220, INKP	1	Yes
	52-5652	Ecoflex ET Harness IN100	1	Yes
13	—	Cylinder Assembly ^{1,3}	1	Yes
Not Shown	13-0086	Backplate	1	Yes
	13-0074	Connecting Screw	2	Yes
	13-0075	Connecting Screw (2 1/2" Door And Over)	2	Yes
	01-4451	Thru Bolt #1/4-20 X 2 3/8" (1 3/4" Door)	2	Yes
	01-4372	Thru Bolt #1/4-20 X 2 5/8" (2" Door)	2	Yes
	01-4373	Thru Bolt #1/4-20 X 2 7/8" (2 1/4" Door)	2	Yes
	PE-0436	Gasket Narrow (A/C Only)	1	Yes
PE-0437	Gasket Wide (A/C Only)	1	Yes	

¹Specify finish

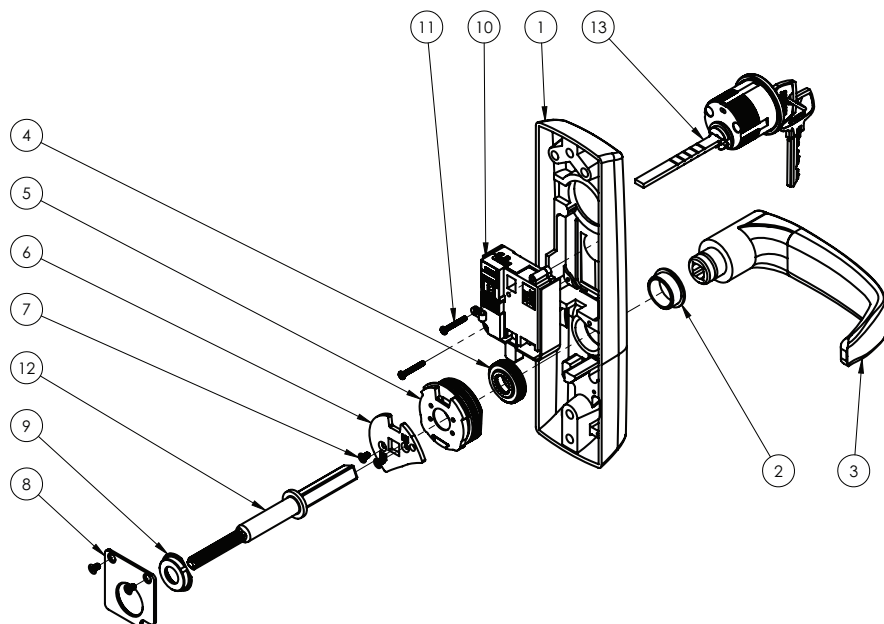
²Specify lever design by hand

³Specify #34 cylinder by keying requirements

⁴Only required for PE8300, PE8400 & PE8600 devices

Note: P730 kit includes items required to replace the spindle and thru bolts for specified door thickness

Note: P607 kit includes items 6, 7, 8, 9, 10, and 11



The warranty on SARGENT® products becomes void if the product is modified in any way, regardless of whether the modification causes or contributes to any alleged defect. If a SARGENT product is modified it may no longer meet industry certification and quality control standards applicable to the original product and is no longer a genuine SARGENT product.

Copyright © 2023, SARGENT Manufacturing Company. All rights reserved. Reproduction in whole or in part without the express written permission of SARGENT Manufacturing Company is prohibited.

Experience a safer
and more open world

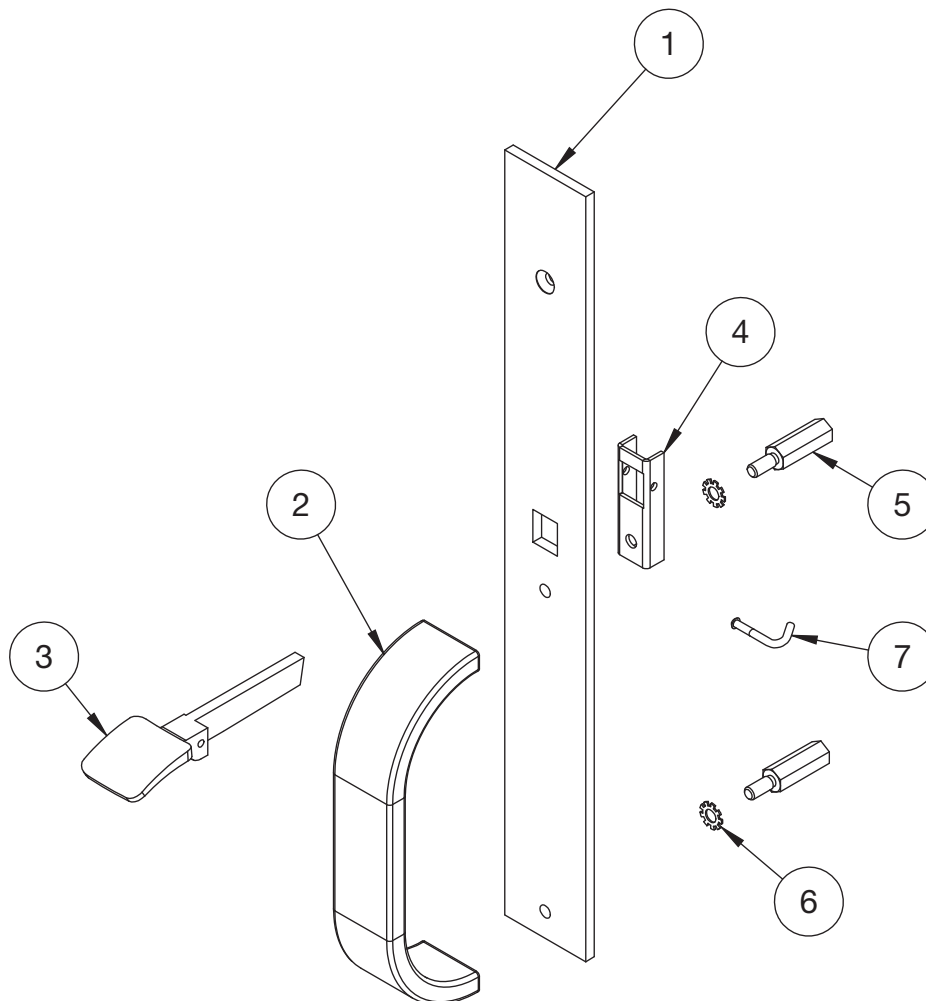
137

A8373:1 05/23

Item	Part No.	Description	Qty	Sellable
1	97-0312	Plate ¹	1	Yes
2	21-0165	Grip ¹	1	Yes
3	97-0182	Thumb Piece, LHR ^{1,2}	1	Yes
	97-0189	Thumb Piece, RHR ^{1,2}		Yes
4	97-0131	Thumb Piece Back Plate	1	Yes
5	97-0119	Thru Bolt Stud	2	Yes
6	01-0227	Lock Washer	2	Yes
7	97-0156	Oval Head Rivet	1	Yes
N/A	97-2955	Screw Pack, 1 3/4"	1	Yes
	97-2956	Screw Pack, 2 1/4"		Yes

¹Specify Finish

²Specify Door Thickness and Device Line



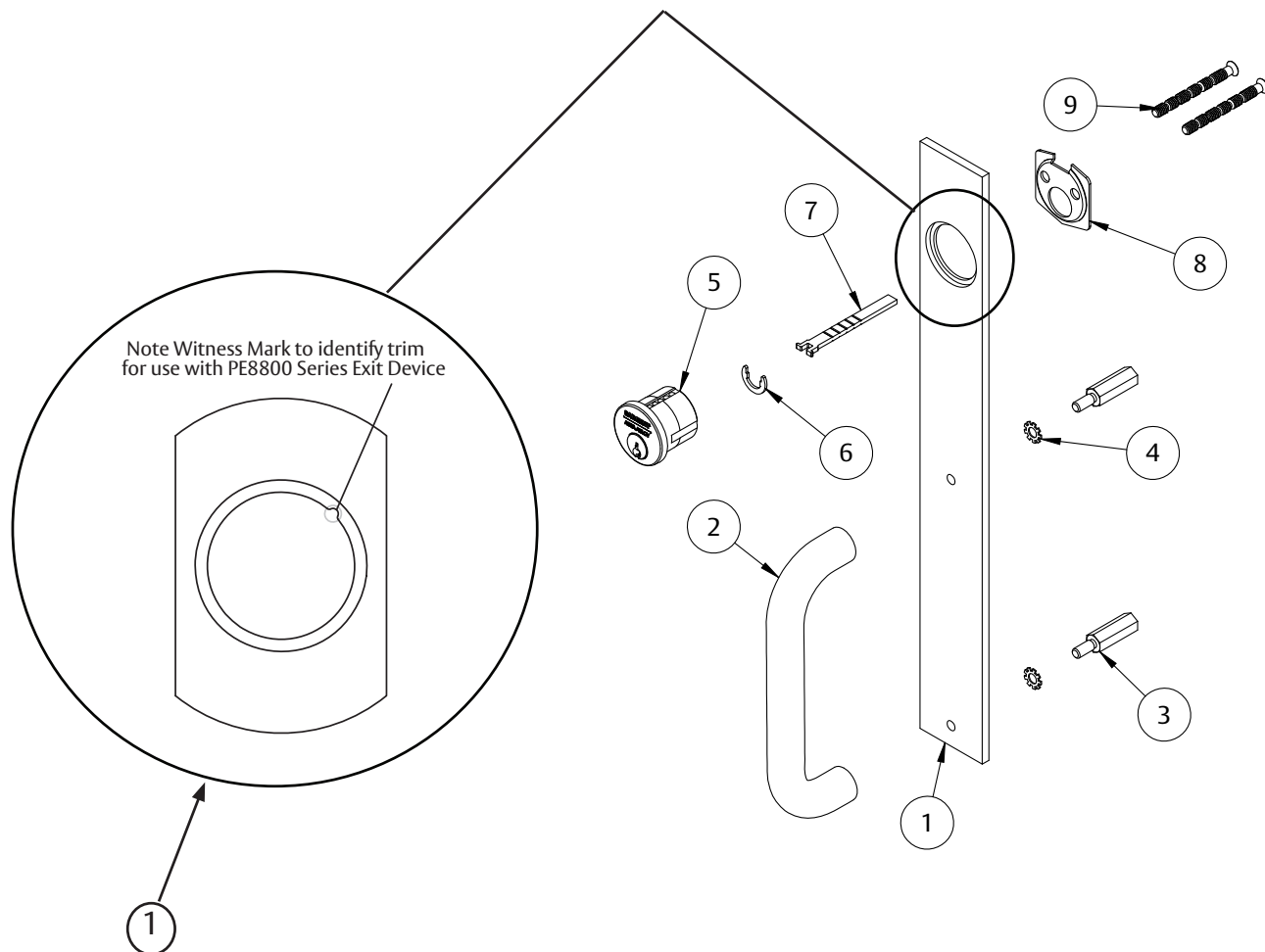
A8373-A 05/23

The warranty on SARGENT[®] products becomes void if the product is modified in any way, regardless of whether the modification causes or contributes to any alleged defect. If a SARGENT product is modified it may no longer meet industry certification and quality control standards applicable to the original product and is no longer a genuine SARGENT product.

Item	Part No.	Description	Qty	Sellable
1	97-0560	Plate ¹	1	Yes
2	97-0367	Grip ¹	1	Yes
3	97-0119	Thru Bolt Stud	2	Yes
4	01-0227	External Shakeproof Washer	2	Yes
5	N/A	Cylinder, Rim ^{1,2}	1	Yes
6	13-0080	Barrel Retainer	1	Yes
7	13-0085	Locking Tail	1	Yes
8	13-0086	Backplate, Rim	1	Yes
9	13-0074	Connecting Screw	2	Yes
	13-0075	Connecting Screw, 2 1/2" Door and Over		Yes
N/A	97-2955	Screw Pack	1	Yes

¹Specify finish

²Specify cylinder size by keying requirements (cylinder comes with item 6 and item 7)
Specify #34 cylinder for PE8800

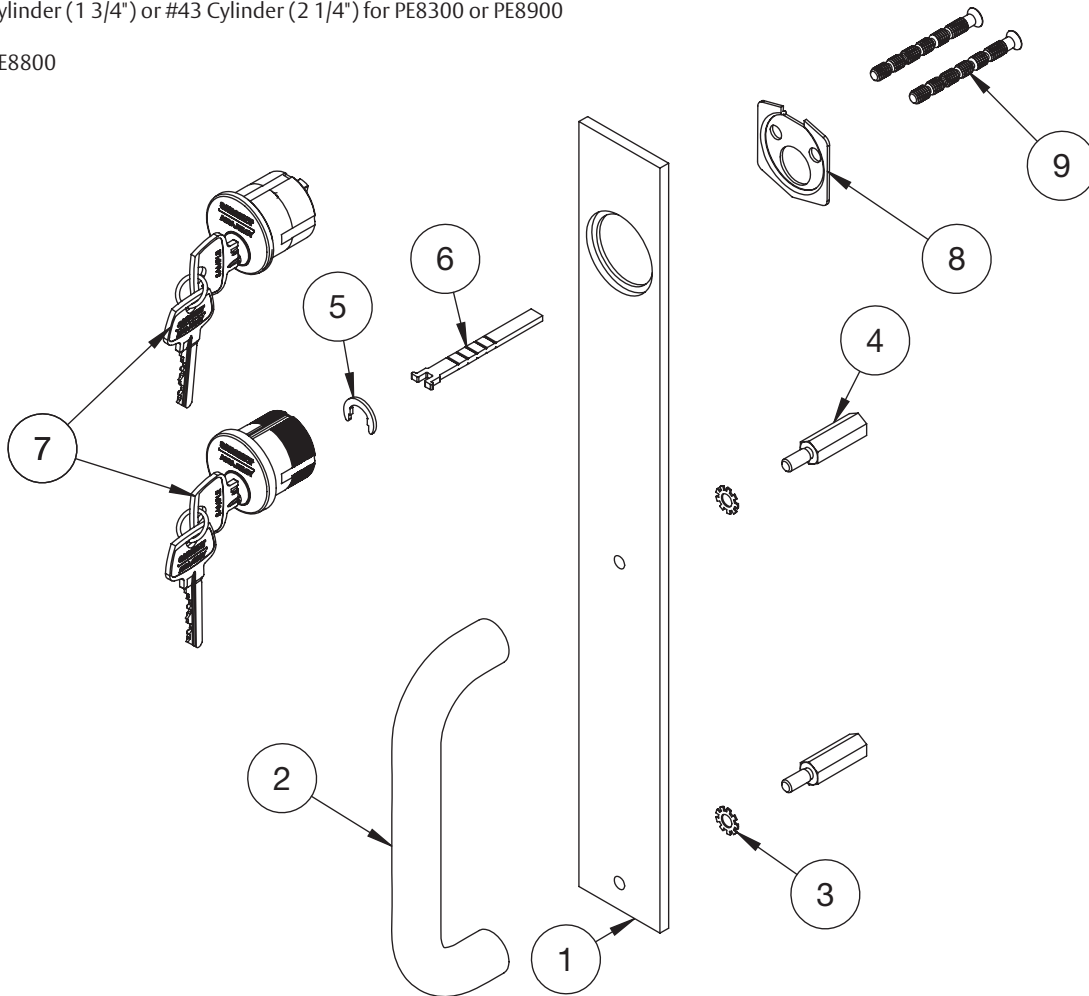


Item	Part No.	Description	Qty	Sellable
1	97-0313	Plate ¹	1	Yes
2	97-0367	Grip ¹	1	Yes
3	01-0227	Lock Washer	2	Yes
4	97-0119	Thru Bolt Stud	2	Yes
5	13-0080	Barrel Retainer	2	Yes
6	13-0084	Locking Tail	1	Yes
7	N/A	Cylinder ^{1,2}	1	Yes
9	13-0074	Connecting Screw	2	Yes
	13-0075	Connecting Screw, 2 1/2" Door and Over		Yes
N/A	97-2955	Screw Pack, 1 3/4"	1	Yes
	97-2956	Screw Pack, 2 1/4"		Yes

¹Specify finish

²Specify cylinder size by keying requirements
Specify #34 cylinder for PE8700 and PE8800 (cylinder comes with item 5 and item 6)
Specify #41 cylinder (1 3/4") or #43 Cylinder (2 1/4") for PE8300 or PE8900

Note: Use for PE8800

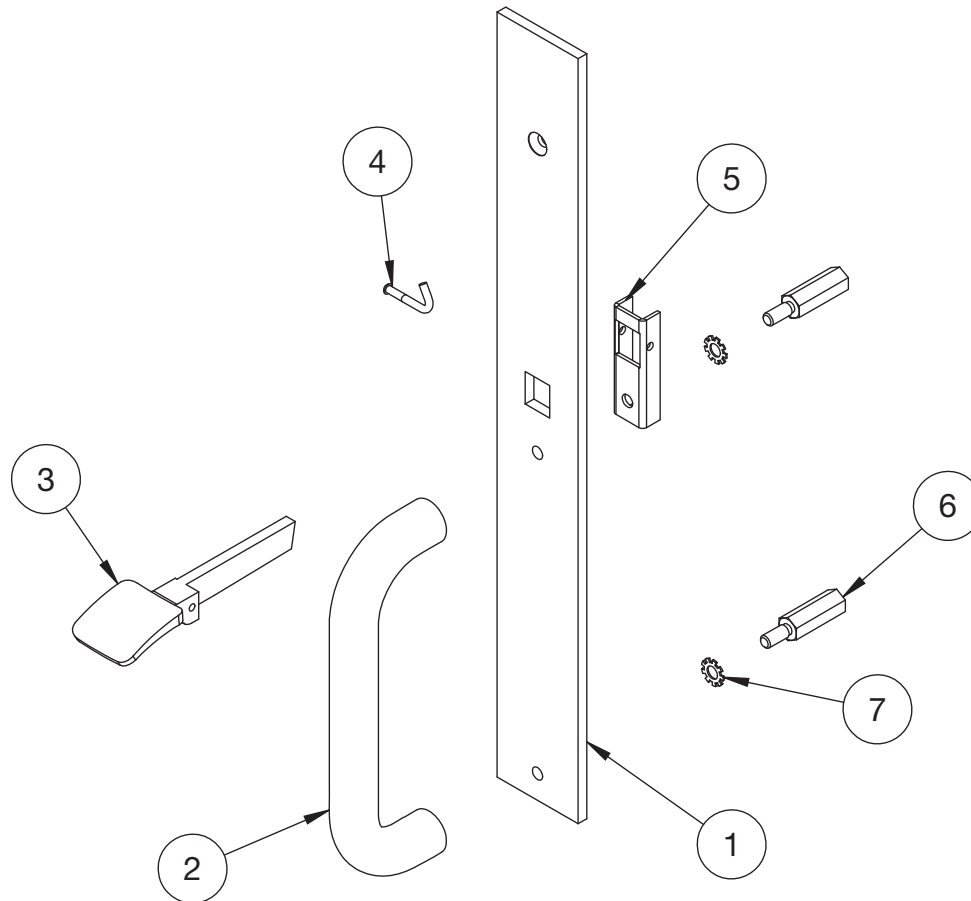


A8373-A 05/23

Item	Part No.	Description	Qty	Sellable
1	97-0312	Plate ¹	1	Yes
2	97-0367	Grip ¹	1	Yes
3	97-0182	Thumb Piece, LHR ^{1,2}	1	Yes
	97-0189	Thumb Piece, RHR ^{1,2}	1	Yes
4	97-0156	Oval Head Rivet	1	Yes
5	97-0131	Thumb Piece Back Plate	1	Yes
6	97-0119	Thru Bolt Stud	2	Yes
7	01-0227	Lock Washer	2	Yes
N/A	97-2955	Screw Pack, 1 3/4"	1	Yes
	97-2956	Screw Pack, 2 1/4"		Yes

¹Specify Finish

²Specify Door Thickness and Device Line

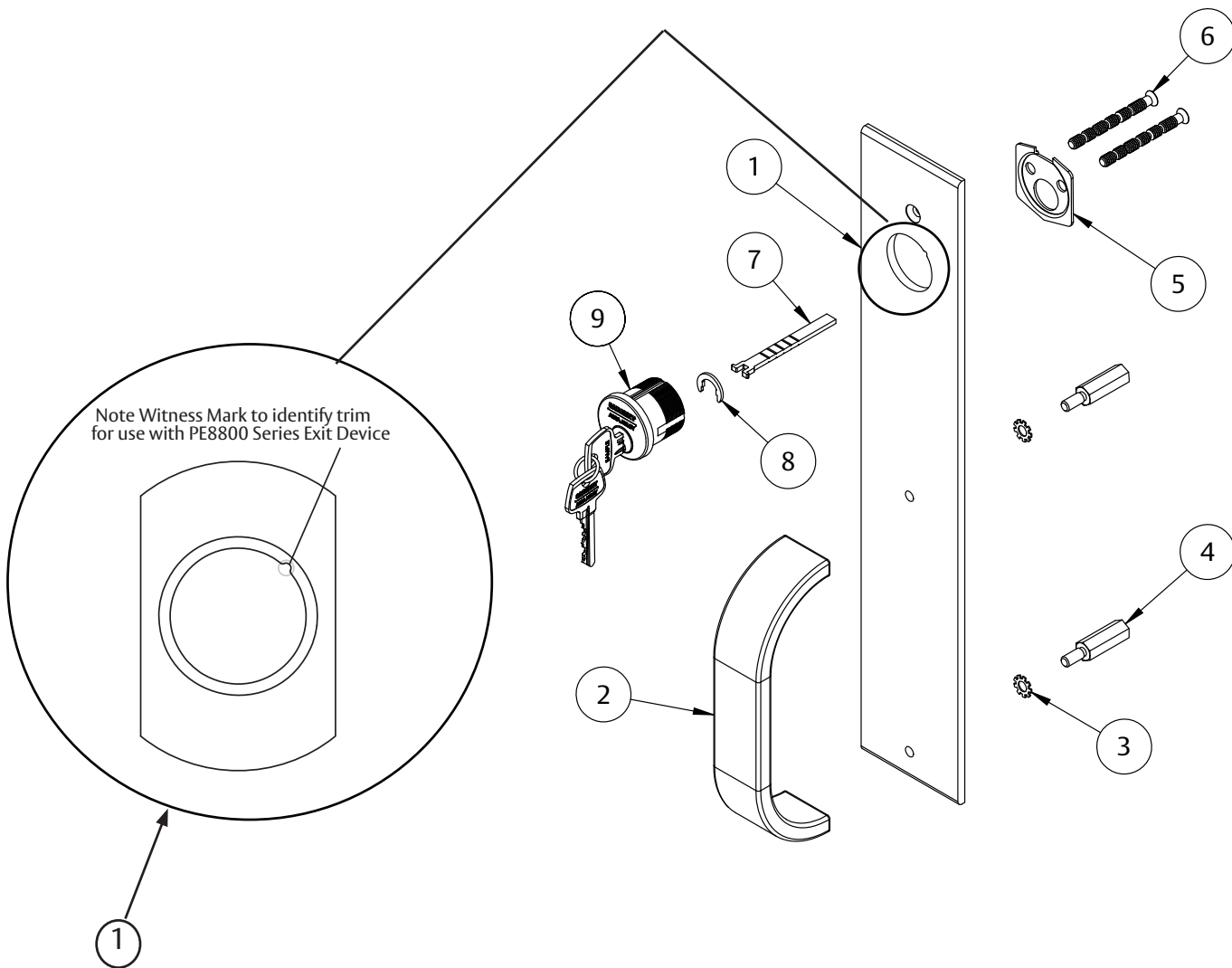


Item	Part No.	Description	Qty	Sellable
1	97-0561	Plate ¹	1	Yes
2	21-0165	Grip ¹	1	Yes
3	01-0227	Lock Washer	2	Yes
4	97-0119	Thru Bolt Stud	2	Yes
5	13-0086	Backplate	1	Yes
6	13-0074	Connecting Screw	2	Yes
7	13-0085	Connecting Bar	1	Yes
8	13-0080	Retaining Ring	1	Yes
9	N/A	Cylinder ^{1,2}	1	Yes
N/A	97-2955	Screw Pack	1	Yes

¹Specify finish

²Specify cylinder size by keying requirements (cylinder comes with item 7 and item 8)

Note: Use for PE8800

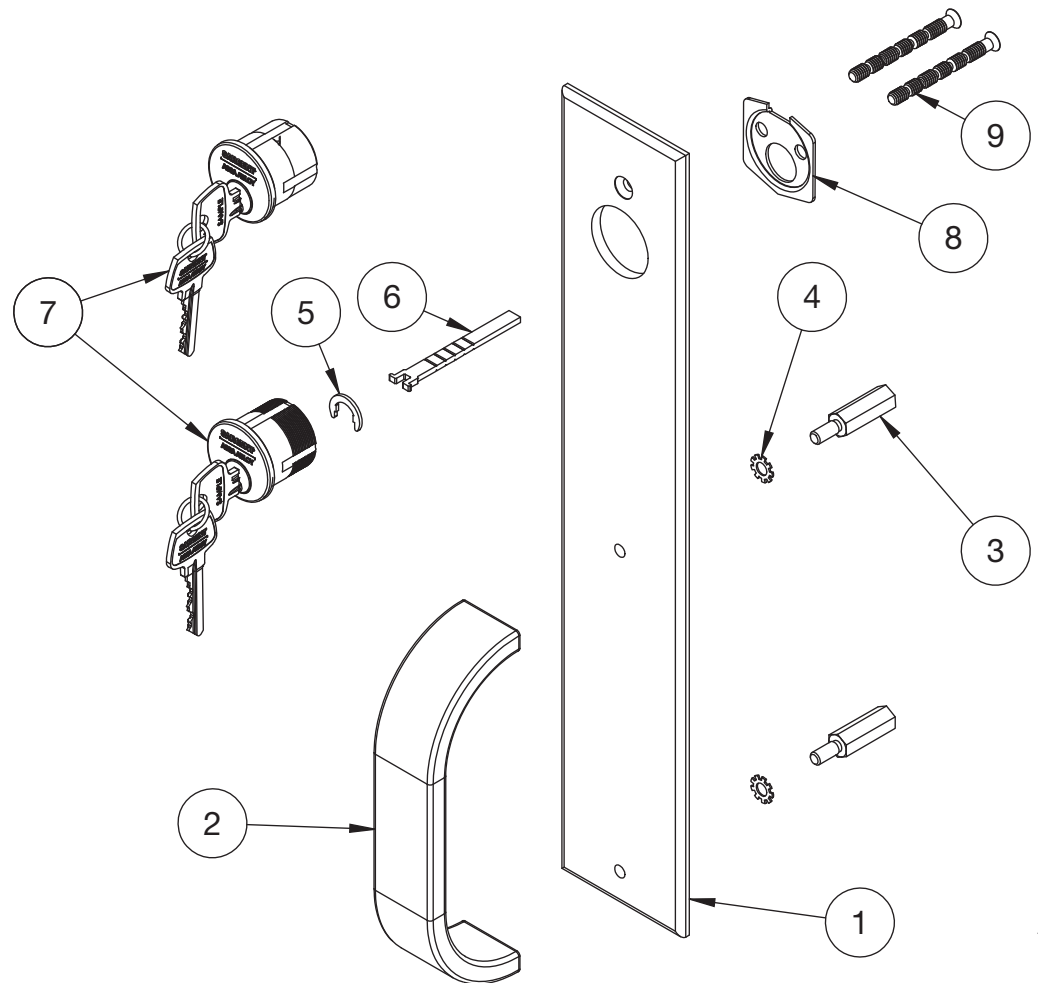


A8373-A 05/23

Item	Part No.	Description	Qty	Sellable
1	98-0049	Plate ¹	1	Yes
2	21-0165	Grip ¹	1	Yes
3	97-0119	Thru Bolt Stud	2	Yes
4	01-0227	Lock Washer	2	Yes
5	13-0080	Barrel Retainer	2	Yes
6	13-0084	Locking Tail	1	Yes
7	N/A	Cylinder ^{1,2}	1	Yes
9	13-0074	Connecting Screw	2	Yes
	13-0075	Connecting Screw, 2 1/2" Door and Over		Yes
N/A	97-2955	Screw Pack, 1 3/4"	1	Yes
	97-2956	Screw Pack, 2 1/4"		Yes

¹Specify finish

²Specify cylinder size by keying requirements (cylinder comes with item 5 and item 6)
Specify #34 cylinder for PE8700 and PE8800
Specify #41 cylinder (1 3/4") or
#43 cylinder (2 1/4") for PE8300 or PE8900



Experience a safer
and more open world

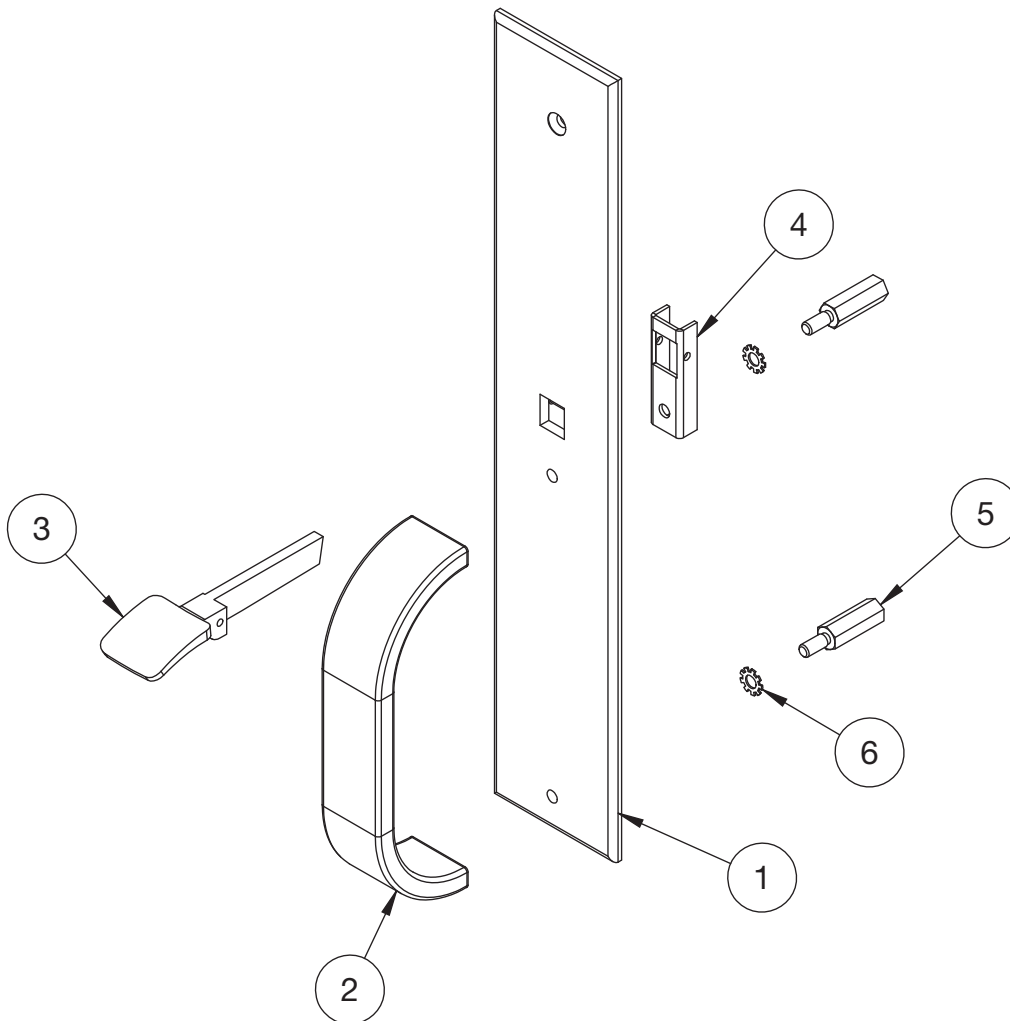
The warranty on SARGENT® products becomes void if the product is modified in any way, regardless of whether the modification causes or contributes to any alleged defect. If a SARGENT product is modified it may no longer meet industry certification and quality control standards applicable to the original product and is no longer a genuine SARGENT product.

Copyright © 2023, SARGENT Manufacturing Company. All rights reserved. Reproduction in whole or in part without the express written permission of SARGENT Manufacturing Company is prohibited.

Item	Part No.	Description	Qty	Sellable
1	97-0286	Plate ¹	1	Yes
2	21-0165	Grip ¹	1	Yes
3	97-0182	Thumb Piece, LHR ^{1,2}	1	Yes
	97-0189	Thumb Piece, RHR ^{1,2}	1	Yes
4	97-0131	Thumb Piece Backplate	1	Yes
5	97-0119	Thru Bolt Stud	2	Yes
6	01-0227	Lock Washer	2	Yes
N/A	97-2955	Screw Pack, 1 3/4"	1	Yes
	97-2956	Screw Pack, 2 1/4"		Yes

¹Specify Finish

²Specify Door Thickness and Device Line

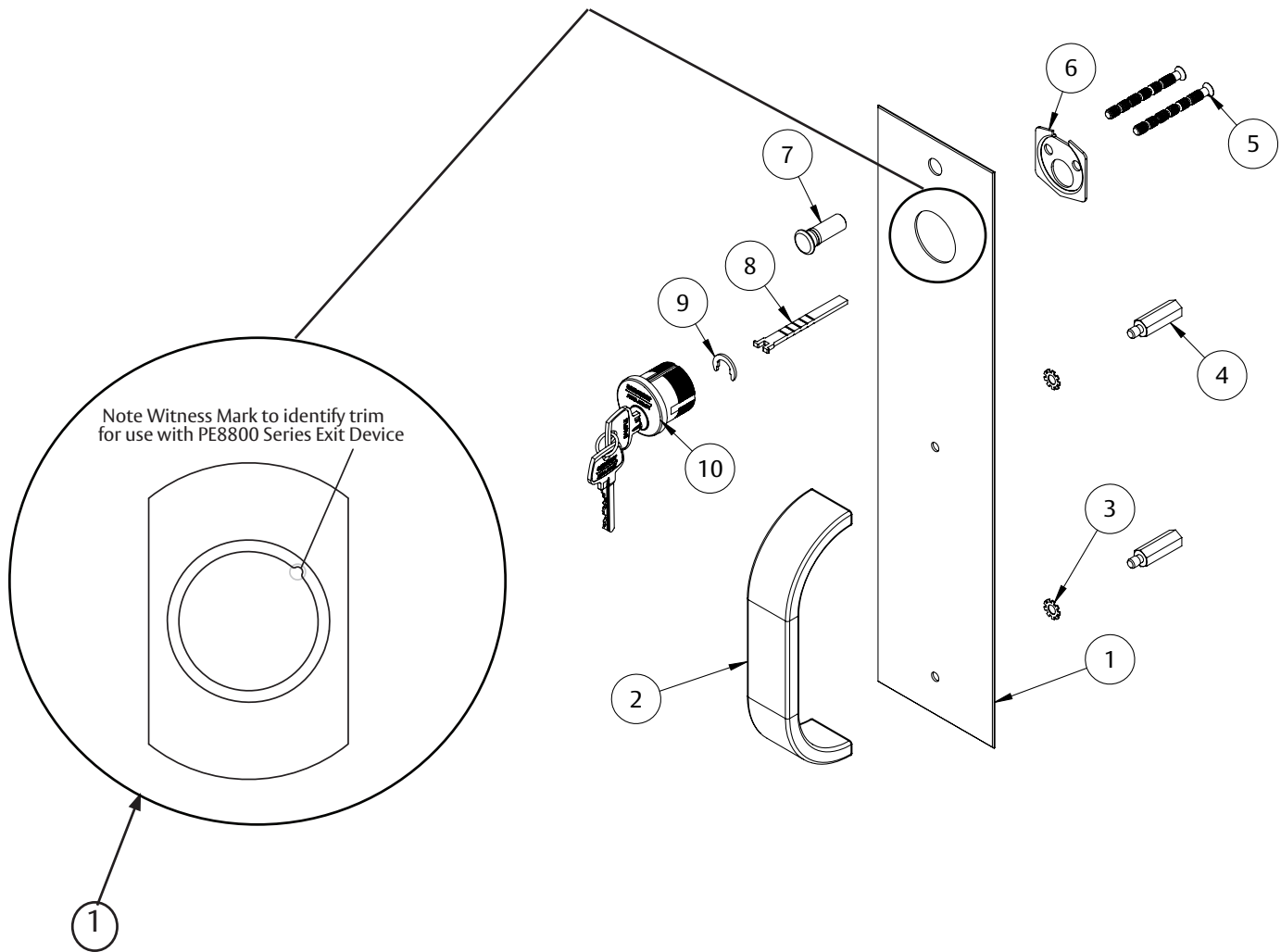


A8373-A 05/23

Item	Part No.	Description	Qty	Sellable
1	97-0562	Plate ¹	1	Yes
2	21-0165	Grip ¹	1	Yes
3	01-0227	Lock Washer	2	Yes
4	98-0071	Thru Bolt Stud	2	Yes
5	13-0074	Connecting Screw	2	Yes
6	13-0086	Backplate	1	Yes
7	97-0060	Grommet Nut ¹	1	Yes
8	13-0085	Connecting Bar	1	Yes
9	13-0080	Retainer	1	Yes
10	N/A	Cylinder ^{1,2}	1	Yes
N/A	97-2955	Screw Pack	1	Yes

¹Specify finish

²Specify cylinder size by keying requirements (cylinder comes with item 8 and item 9)
Specify #34 cylinder PE8800 made after 2/5/2001

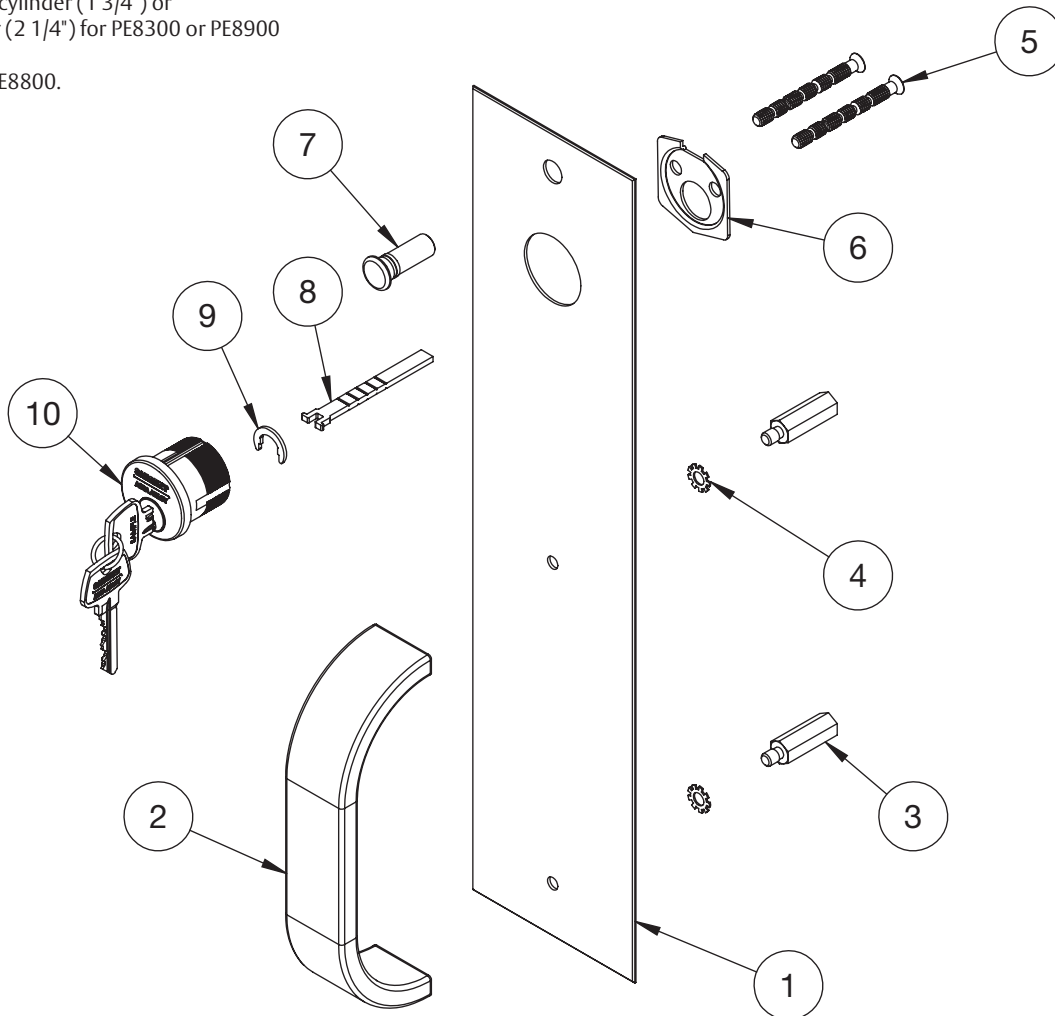


Item	Part No.	Description	Qty	Sellable
1	97-3180	Plate ¹	1	Yes
2	21-0165	Grip ¹	1	Yes
3	98-0071	Thru Bolt Stud	2	Yes
4	01-0227	Lock Washer	2	Yes
5	13-0074	Connecting Screw	2	Yes
6	13-0086	Backplate	1	Yes
7	97-0060	Grommet Nut ¹	1	Yes
8	13-0085	Connecting Bar	1	Yes
9	13-0080	Retainer	1	Yes
10	N/A	Cylinder ^{1,2}	1	Yes
N/A	97-2955	Screw Pack, 1 3/4"	1	Yes
	97-2956	Screw Pack, 2 1/4"		Yes

¹Specify finish

²Specify cylinder size by keying requirements
Specify #34 cylinder for PE8700 and PE8800 (cylinder comes with item 8 and item 9)
Specify #41 cylinder (1 3/4") or
#43 cylinder (2 1/4") for PE8300 or PE8900

Note: Use for PE8800.

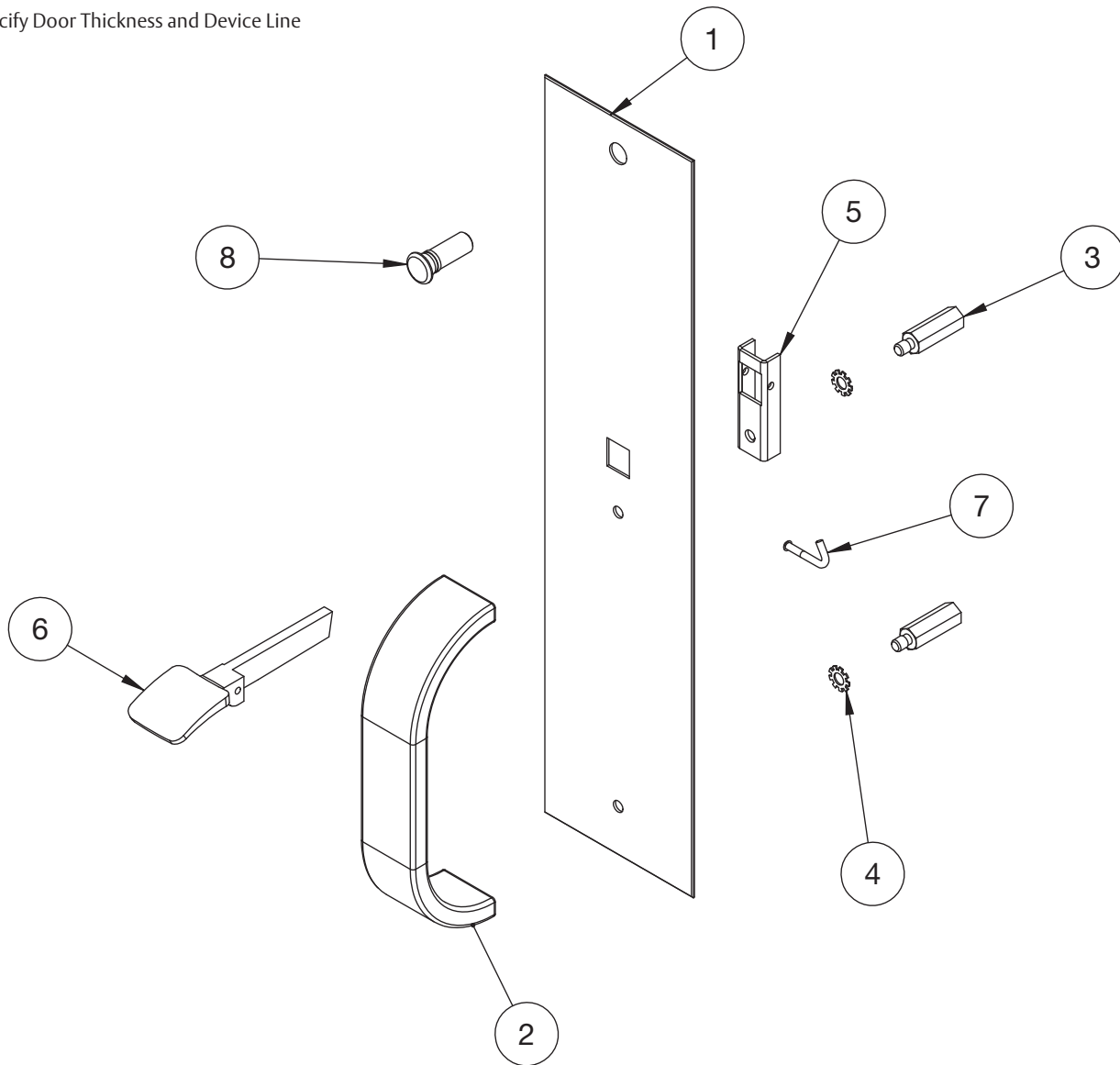


A8373-A 05/23

Item	Part No.	Description	Qty	Sellable
1	97-0291	Plate ¹	1	Yes
2	21-0165	Grip ¹	1	Yes
3	98-0071	Thru Bolt Stud	2	Yes
4	01-0227	Lock Washer	2	Yes
5	97-0131	Thumb Piece Back Plate	1	Yes
6	97-0182	Thumb Piece, LHR ^{1,2}	1	Yes
	97-0189	Thumb Piece, RHR ^{1,2}	2	Yes
7	97-0156	Oval Head Rivet	1	Yes
8	97-0060	Grommet Nut ¹	1	Yes
N/A	97-2955	Screw Pack, 1 3/4"	1	Yes
	97-2956	Screw Pack, 2 1/4"		Yes

¹Specify Finish

²Specify Door Thickness and Device Line



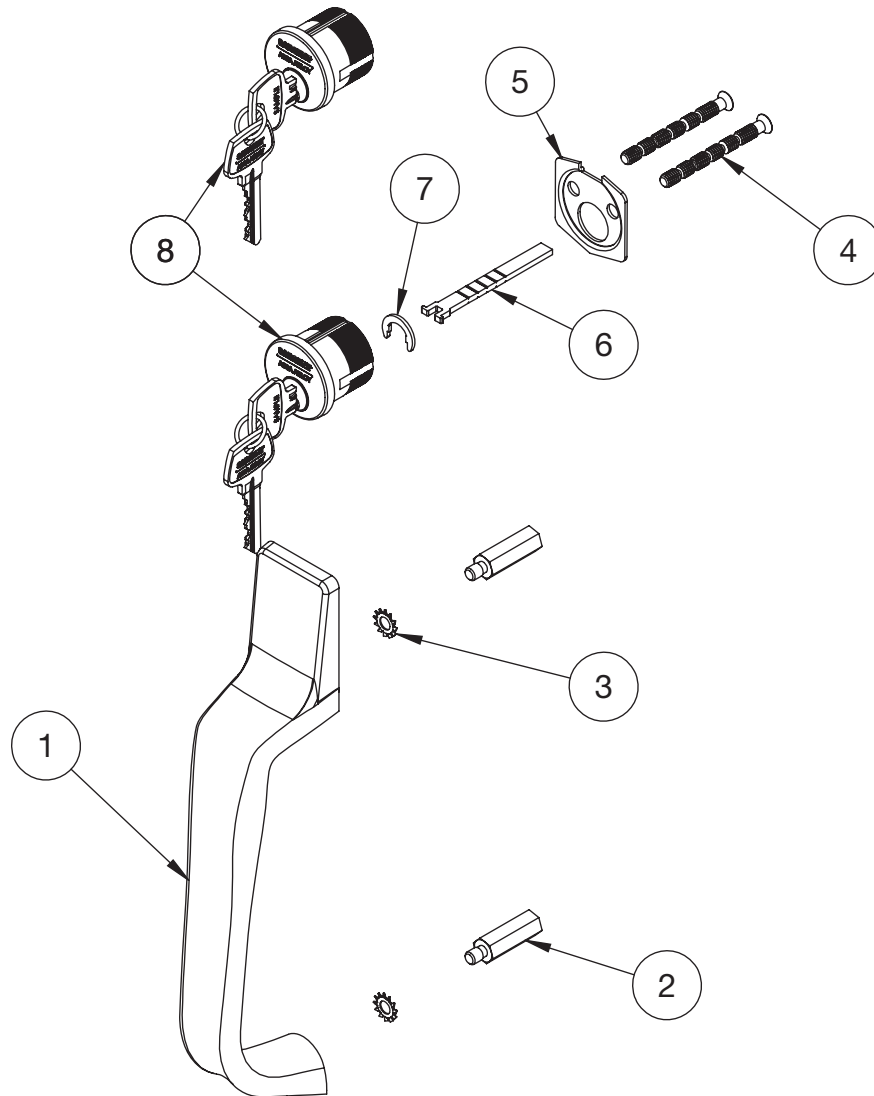
The warranty on SARGENT® products becomes void if the product is modified in any way, regardless of whether the modification causes or contributes to any alleged defect. If a SARGENT product is modified it may no longer meet industry certification and quality control standards applicable to the original product and is no longer a genuine SARGENT product.

Copyright © 2023, SARGENT Manufacturing Company. All rights reserved. Reproduction in whole or in part without the express written permission of SARGENT Manufacturing Company is prohibited.

Item	Part No.	Description	Qty	Sellable
1	97-0064	Grip ¹	1	Yes
2	98-0071	Thru Bolt Stud	2	Yes
3	01-0227	Lock Washer	2	Yes
4	13-0074	Connecting Screw	2	Yes
5	13-0086	Backplate	1	Yes
6	13-0085	Connecting Bar	1	Yes
7	13-0080	Retainer	1	Yes
8	N/A	Cylinder ^{1,2}	1	Yes
N/A	97-2953	Screw Pack, 1 3/4"	1	Yes
	97-2954	Screw Pack, 2 1/4"		Yes

¹Specify finish

²Specify cylinder size by keying requirements
Specify #34 cylinder for PE8700 and PE8800 (cylinder comes with item 6 and item 7)
Specify #41 cylinder (1 3/4") or
#43 cylinder (2 1/4") for PE8300 or PE8900

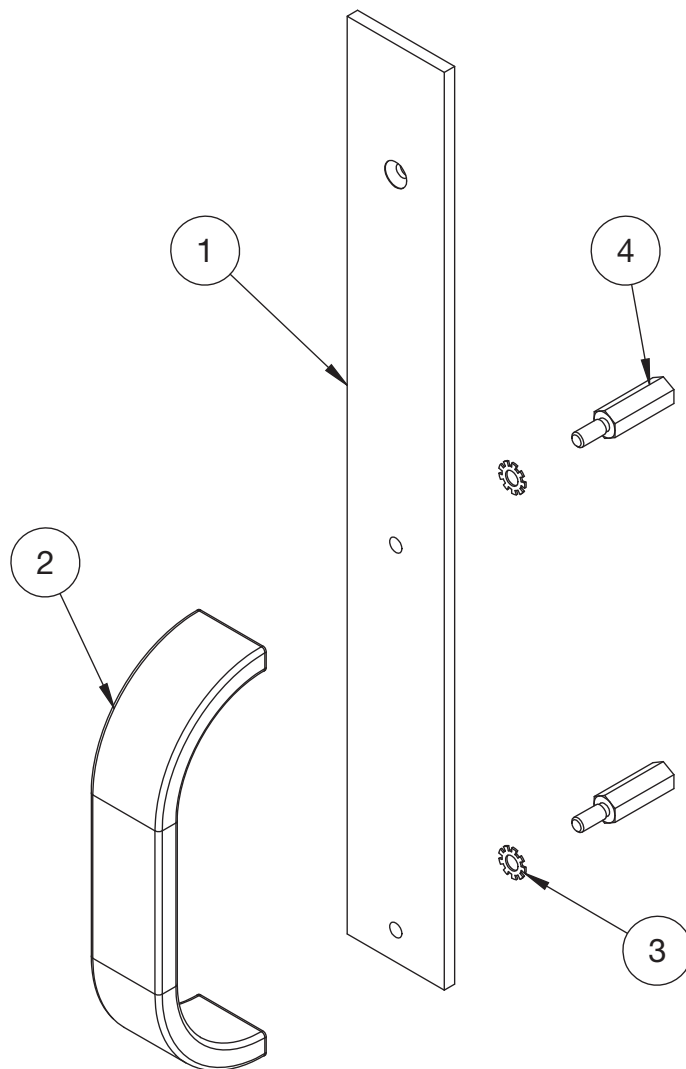


A8373-A 05/23

The warranty on SARGENT® products becomes void if the product is modified in any way, regardless of whether the modification causes or contributes to any alleged defect. If a SARGENT product is modified it may no longer meet industry certification and quality control standards applicable to the original product and is no longer a genuine SARGENT product.

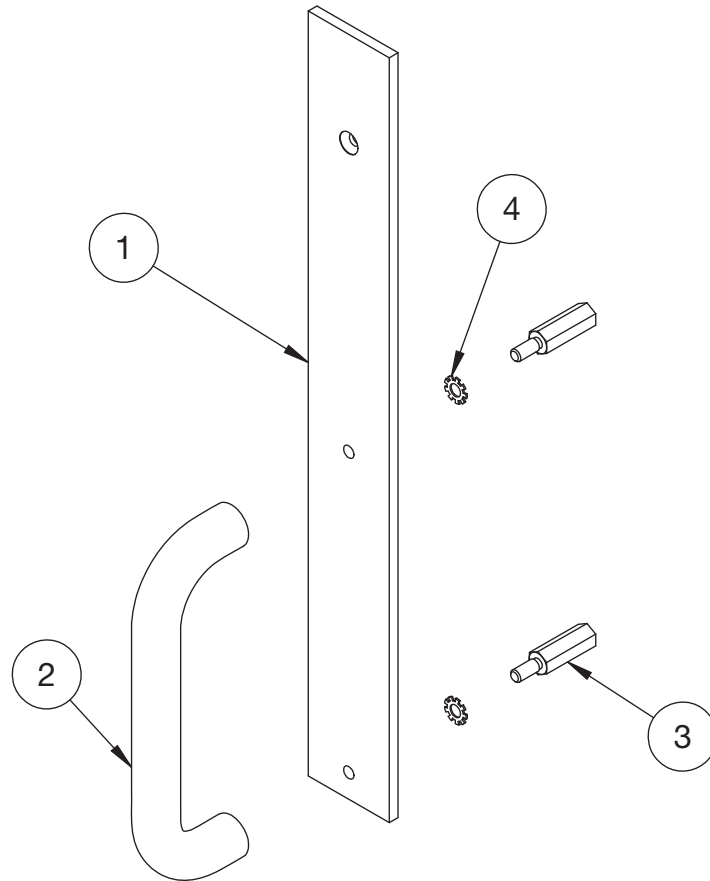
Item	Part No.	Description	Qty	Sellable
1	97-0309	Plate ¹	1	Yes
2	21-0165	Grip ¹	1	Yes
3	01-0227	Lock Washer	2	Yes
4	97-0119	Thru Bolt Stud	2	Yes
N/A	97-2955	Screw Pack, 1 3/4"	1	Yes
	97-2956	Screw Pack, 2 1/4"		Yes

¹Specify Finish



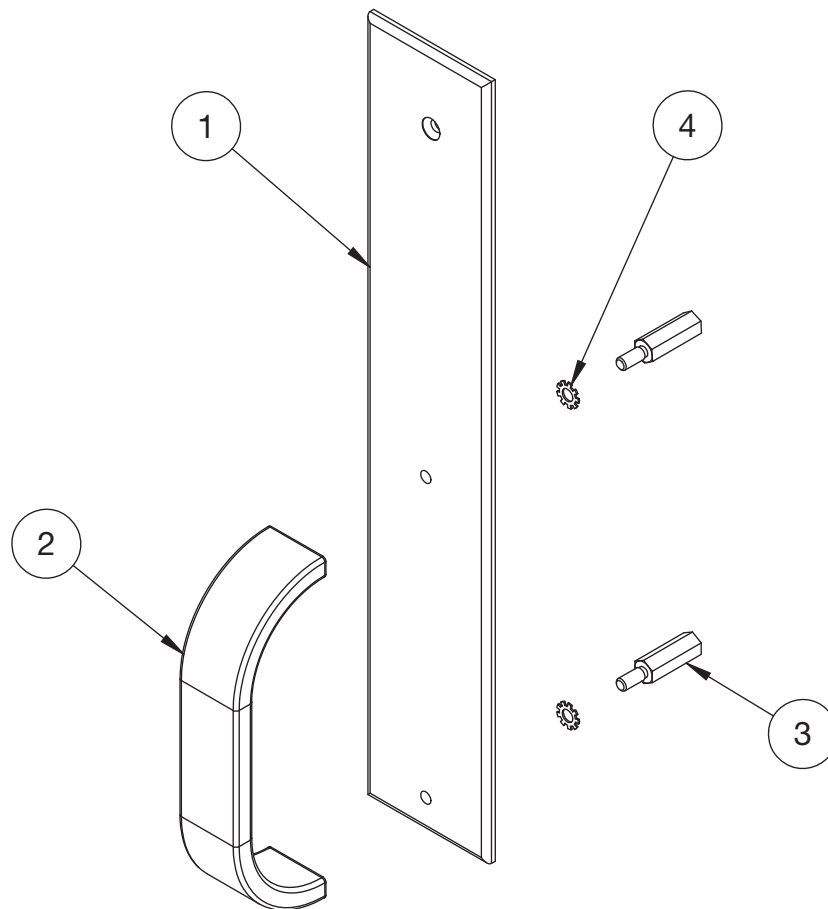
Item	Part No.	Description	Qty	Sellable
1	97-0309	Plate ¹	1	Yes
2	97-0367	Grip ¹	1	Yes
3	97-0119	Thru Bolt Stud	2	Yes
4	01-0227	Lock Washer	2	Yes
N/A	97-2955	Screw Pack, 1 3/4"	1	Yes
	97-2956	Screw Pack, 2 1/4"		Yes

¹Specify Finish



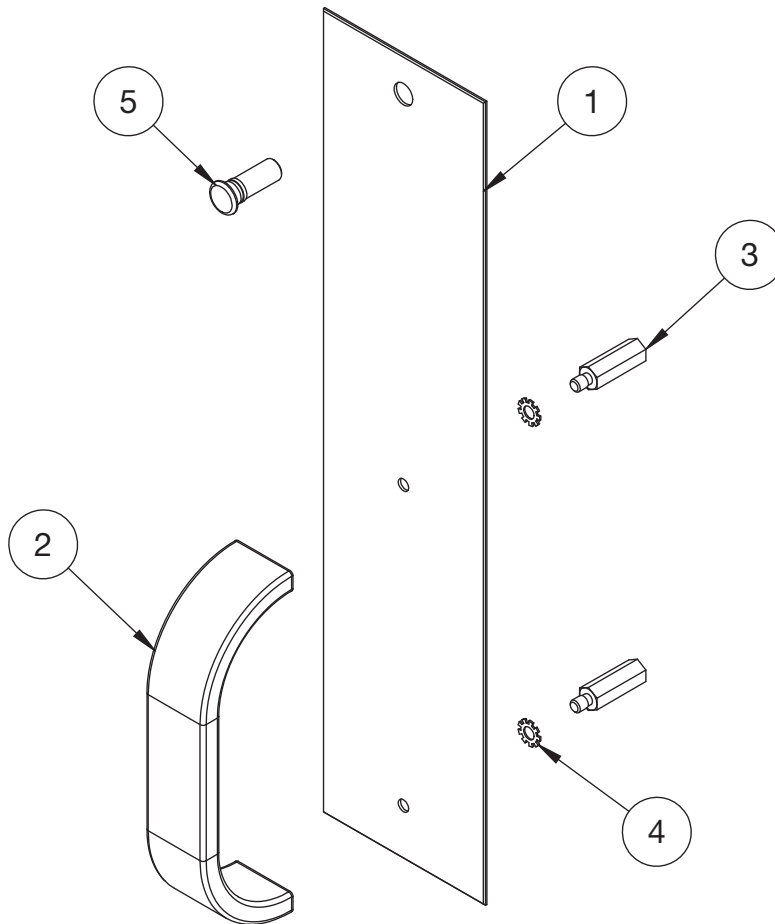
Item	Part No.	Description	Qty	Sellable
1	97-0114	Plate ¹	1	Yes
2	21-0165	Grip ¹	1	Yes
3	97-0119	Thru Bolt Stud	2	Yes
4	01-0227	Lock Washer	2	Yes
N/A	97-2955	Screw Pack, 1 3/4"	1	Yes
	97-2956	Screw Pack, 2 1/4"		Yes

¹Specify Finish



Item	Part No.	Description	Qty	Sellable
1	98-0126	Plate ¹	1	Yes
2	21-0165	Grip ¹	1	Yes
3	98-0071	Thru Bolt Stud	2	Yes
4	01-0227	Lock Washer	2	Yes
5	97-0060	Grommet Nut ¹	1	Yes
N/A	97-2955	Screw Pack, 1 3/4"	1	Yes
	97-2956	Screw Pack, 2 1/4"		Yes

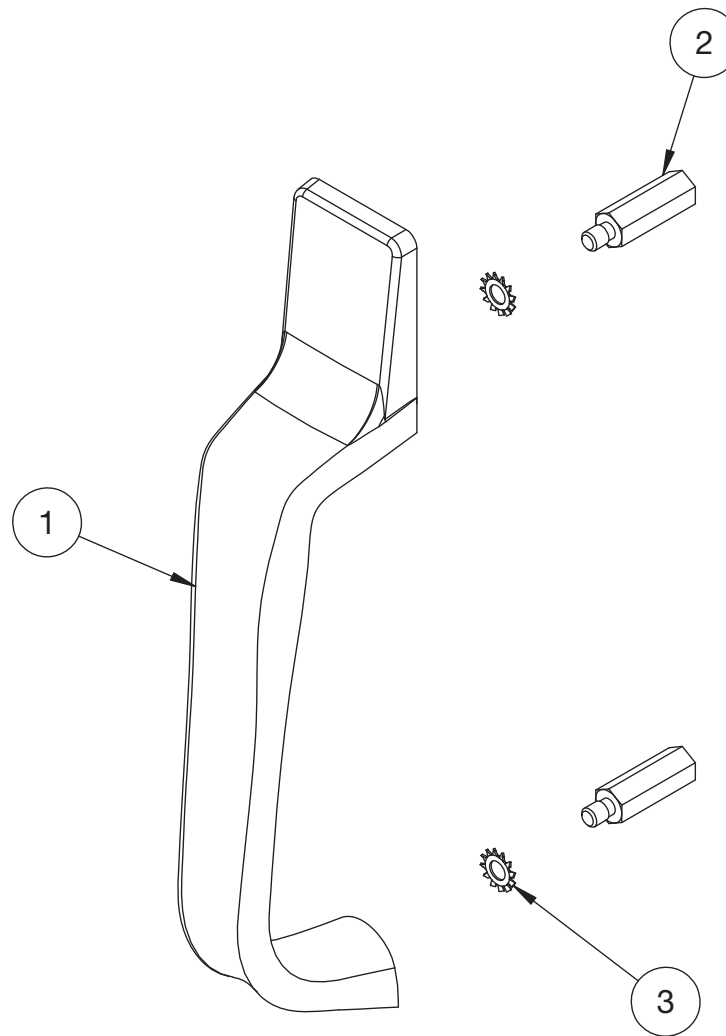
¹Specify Finish



A8373-A 05/23

Item	Part No.	Description	Qty	Sellable
1	97-0064	Grip ¹	1	Yes
2	98-0071	Thru Bolt Stud	2	Yes
3	01-0227	Lock Washer	2	Yes
N/A	97-2953	Screw Pack, 1 3/4"	1	Yes
	97-2954	Screw Pack, 2 1/4"		Yes

¹Specify Finish

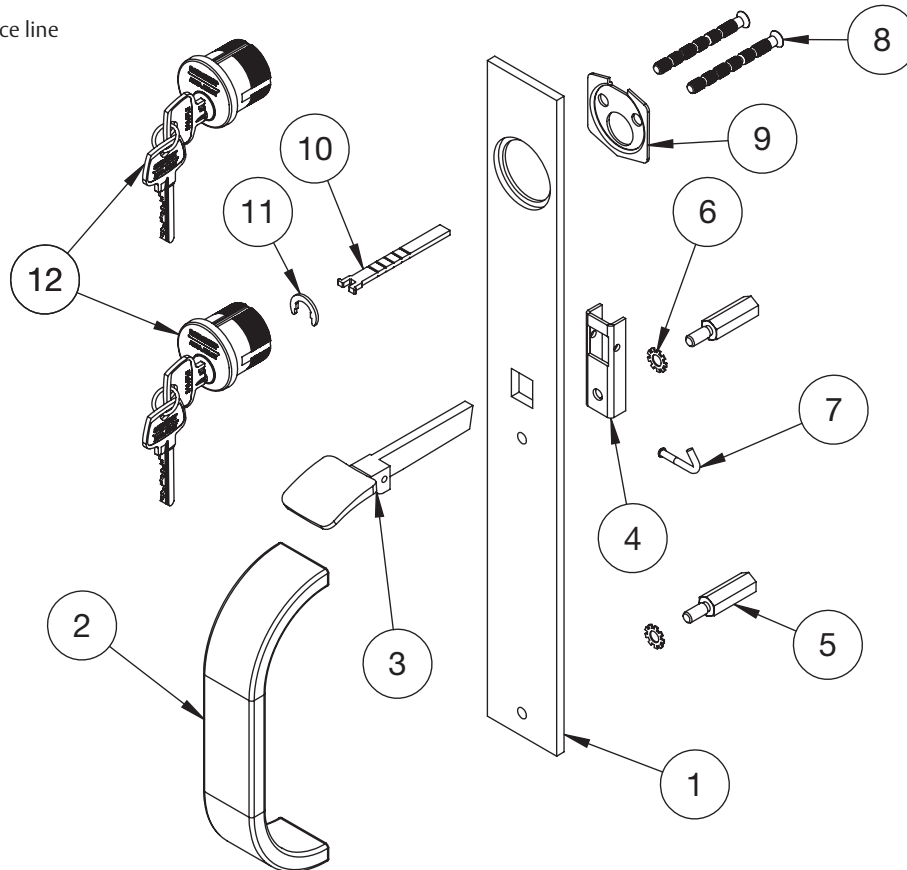


Item	Part No.	Description	Qty	Sellable
1	97-0311	Plate ¹	1	Yes
2	21-0165	Grip ¹	1	Yes
3	97-0182	Thumb Piece, LHR ^{1,3}	1	Yes
	97-0189	Thumb Piece, RHR ^{1,3}		Yes
4	97-0131	Thumb Piece Back Plate	1	Yes
5	97-0119	Thru Bolt Stud	2	Yes
6	01-0227	Lock Washer	2	Yes
7	97-0156	Oval Head Rivet	1	Yes
8	13-0074	Connecting Screw	2	Yes
	13-0075	Connecting Screw, 2 1/2" Door Thickness and Over		Yes
9	13-0086	Back Plate	1	Yes
10	13-0085	Locking Tail	1	Yes
11	13-0080	Retainer	1	Yes
12	N/A	Cylinder ^{1,2}	1	Yes
N/A	97-2955	Screw Pack, 1 3/4"	1	Yes
	97-2956	Screw Pack, 2 1/4"		Yes

¹Specify Finish

²Specify cylinder size by keying requirements
Specify #34 cylinder for PE8700 and PE8800 (cylinder comes with item 10 and item 11)
Specify #41 cylinder (1 3/4") or
#43 Cylinder (2 1/4") for PE8300 or PE8900

³Specify door thickness and device line



A8373-A 05/23

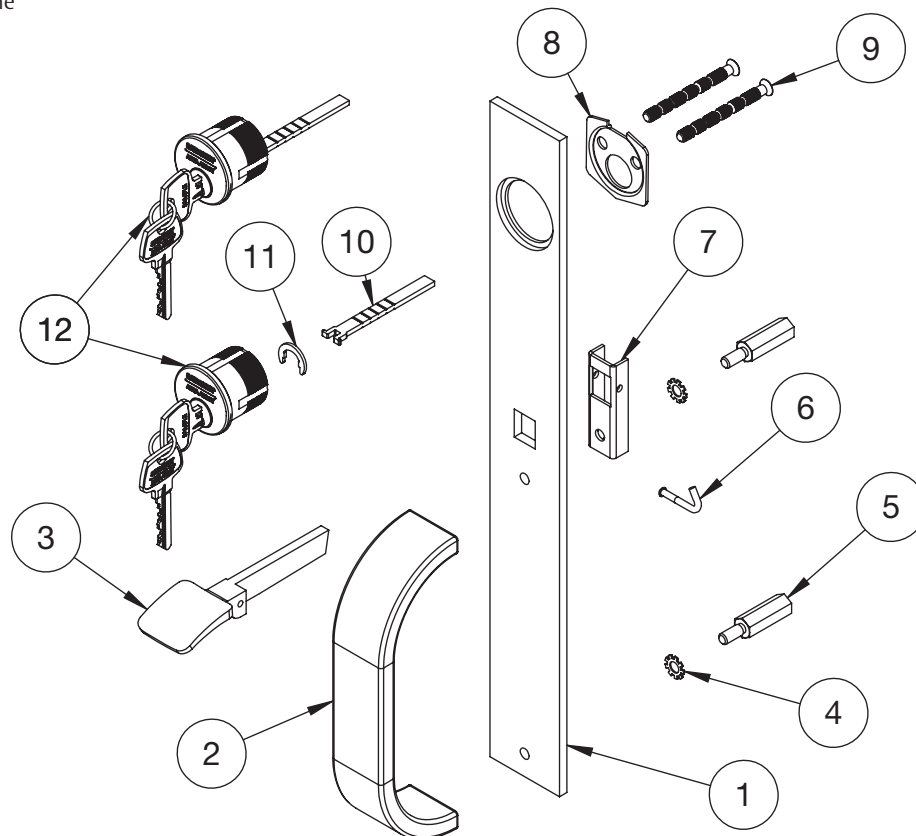
The warranty on SARGENT® products becomes void if the product is modified in any way, regardless of whether the modification causes or contributes to any alleged defect. If a SARGENT product is modified it may no longer meet industry certification and quality control standards applicable to the original product and is no longer a genuine SARGENT product.

Item	Part No.	Description	Qty	Sellable
1	97-0311	Plate ¹	1	Yes
2	21-0165	Grip ¹	1	Yes
3	97-0182	Thumb Piece, LHR ^{1,3}	1	Yes
	97-0189	Thumb Piece, RHR ^{1,3}		Yes
4	01-0227	Lock Washer	2	Yes
5	97-0131	Thru Bolt Stud	2	Yes
6	97-0156	Oval Head Rivet	1	Yes
7	97-0131	Thumb Piece Back Plate	1	Yes
8	13-0086	Back Plate	1	Yes
9	13-0074	Connecting Screw	2	Yes
10	13-0085	Connecting Bar	1	Yes
11	13-0080	Retainer	1	Yes
12	N/A	Cylinder ^{1,2}	1	Yes
N/A	97-2955	Screw Pack, 1 3/4"	1	Yes
	97-2956	Screw Pack, 2 1/4"		Yes

¹Specify Finish

²Specify cylinder size by keying requirements
Specify #34 cylinder for PE8700 and PE8800 (cylinder comes with item 10 and item 11)
Specify #41 cylinder (1 3/4") or
#43 cylinder (2 1/4") for PE8300 or PE8900

³Specify door thickness and device line



Experience a safer
and more open world

The warranty on SARGENT® products becomes void if the product is modified in any way, regardless of whether the modification causes or contributes to any alleged defect. If a SARGENT product is modified it may no longer meet industry certification and quality control standards applicable to the original product and is no longer a genuine SARGENT product.

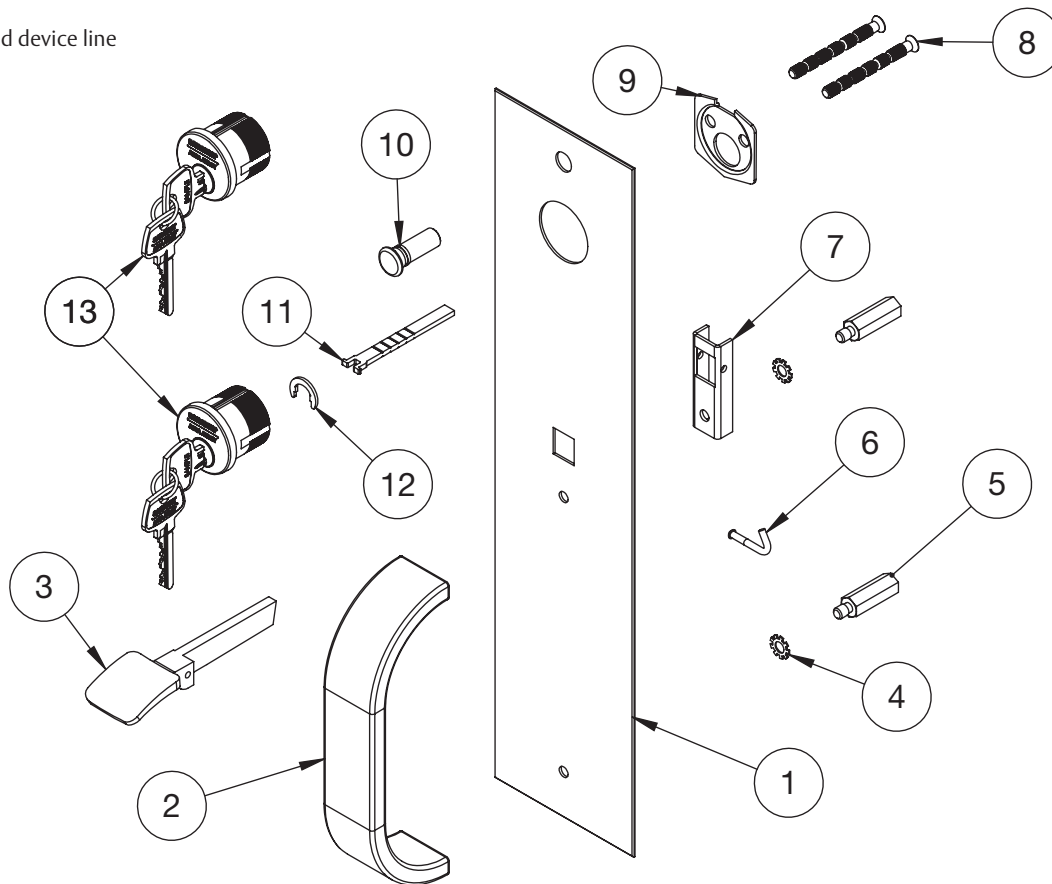
Copyright © 2023, SARGENT Manufacturing Company. All rights reserved. Reproduction in whole or in part without the express written permission of SARGENT Manufacturing Company is prohibited.

Item	Part No.	Description	Qty	Sellable
1	98-0119	Plate ¹	1	Yes
2	21-0165	Grip ¹	1	Yes
3	97-0182	Thumb Piece, LHR ^{1,3}	1	Yes
	97-0189	Thumb Piece, RHR ^{1,3}		Yes
4	01-0227	Lock Washer	2	Yes
5	97-0071	Thru Bolt Stud	2	Yes
6	97-0156	Oval Head Rivet	1	Yes
7	97-0131	Thumb Piece Backplate	1	Yes
8	13-0074	Connecting Screw	2	Yes
9	13-0086	Backplate	1	Yes
10	97-0060	Grommet Nut	1	Yes
11	13-0085	Connecting Bar	1	Yes
12	13-0080	Retainer	1	Yes
13	N/A	Cylinder ^{1,2}	1	Yes
N/A	97-2955	Screw Pack, 1 3/4"	1	Yes
	97-2956	Screw Pack, 2 1/4"		Yes

¹Specify Finish

²Specify cylinder size by keying requirements
Specify #34 cylinder for PE8700 and PE8800 (cylinder comes with item 11 and item 12)
Specify #41 cylinder (1 3/4") or
#43 cylinder (2 1/4") for PE8300 or PE8900

³Specify door thickness and device line



A8373-A 05/23

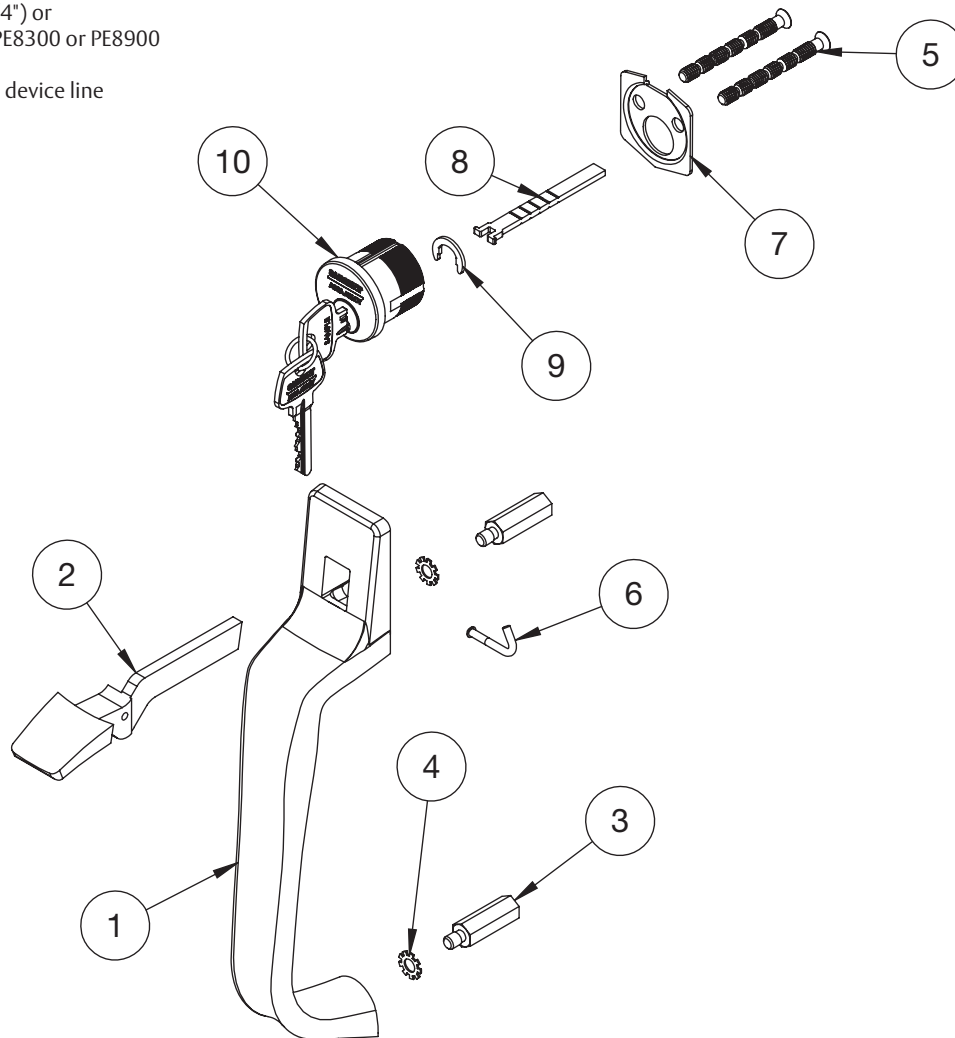
The warranty on SARGENT® products becomes void if the product is modified in any way, regardless of whether the modification causes or contributes to any alleged defect. If a SARGENT product is modified it may no longer meet industry certification and quality control standards applicable to the original product and is no longer a genuine SARGENT product.

Item	Part No.	Description	Qty	Sellable
1	97-0058	Grip ¹	1	Yes
2	97-0203	Thumbpiece, LHR ^{1,3}	1	Yes
	97-0214	Thumbpiece, RHR ^{1,3}		Yes
3	98-0071	Thru Bolt Stud	2	Yes
4	01-0227	Lock Washer	2	Yes
5	13-0074	Connecting Screw	2	Yes
6	97-0156	Oval Head Rivet	1	Yes
7	13-0086	Cylinder Back Plate	1	Yes
8	13-0085	Connecting Bar	1	Yes
9	13-0080	Retainer	1	Yes
10	N/A	Cylinder ^{1,2}	1	Yes
N/A	97-2953	Screw Pack, 1 3/4"	1	Yes
	97-2954	Screw Pack, 2 1/4"		Yes

¹Specify Finish

²Specify cylinder size by keying requirements
 Specify #34 cylinder for PE8700 and PE8800 (cylinder comes with item 8 and item 9)
 Specify #41 cylinder (1 3/4") or
 #43 cylinder (2 1/4") for PE8300 or PE8900

³Specify door thickness and device line



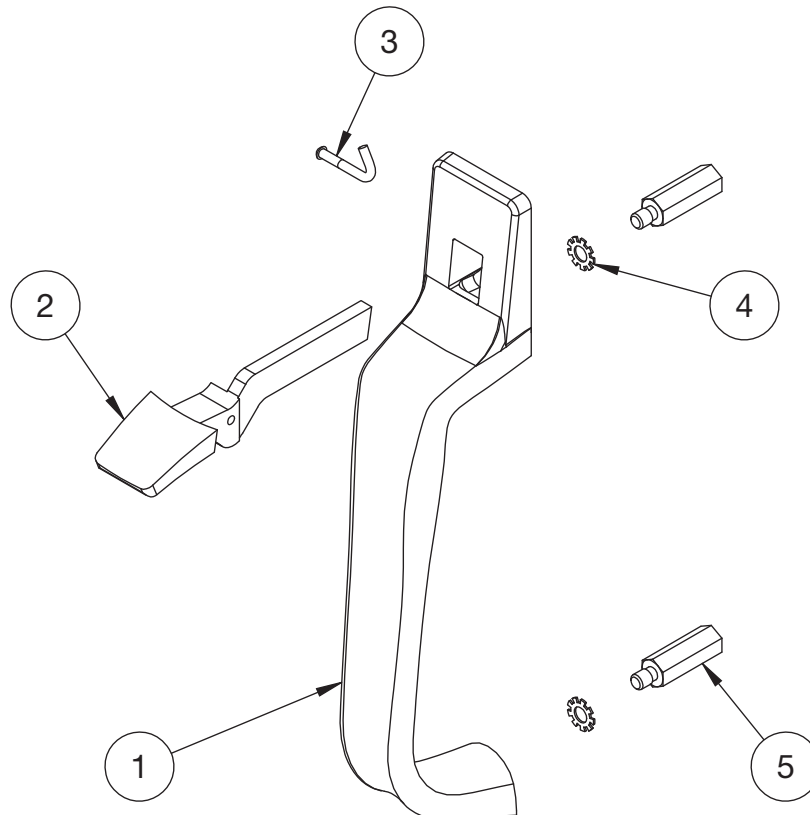
The warranty on SARGENT® products becomes void if the product is modified in any way, regardless of whether the modification causes or contributes to any alleged defect. If a SARGENT product is modified it may no longer meet industry certification and quality control standards applicable to the original product and is no longer a genuine SARGENT product.

Copyright © 2023, SARGENT Manufacturing Company. All rights reserved. Reproduction in whole or in part without the express written permission of SARGENT Manufacturing Company is prohibited.

Item	Part No.	Description	Qty	Sellable
1	97-0058	Grip ¹	1	Yes
2	97-0203	Thumb Piece, LHR ^{1,2}	1	Yes
	97-0214	Thumb Piece, RHR ^{1,2}		Yes
3	97-0156	Oval Head Rivet	1	Yes
4	01-0227	Lock Washer	2	Yes
5	98-0071	Thru Bolt Stud	2	Yes
N/A	97-2953	Screw Pack, 1 3/4"	1	Yes
	97-2954	Screw Pack, 2 1/4"		Yes

¹Specify Finish

²Specify Door Thickness and Device Line



A8373-A 05/23

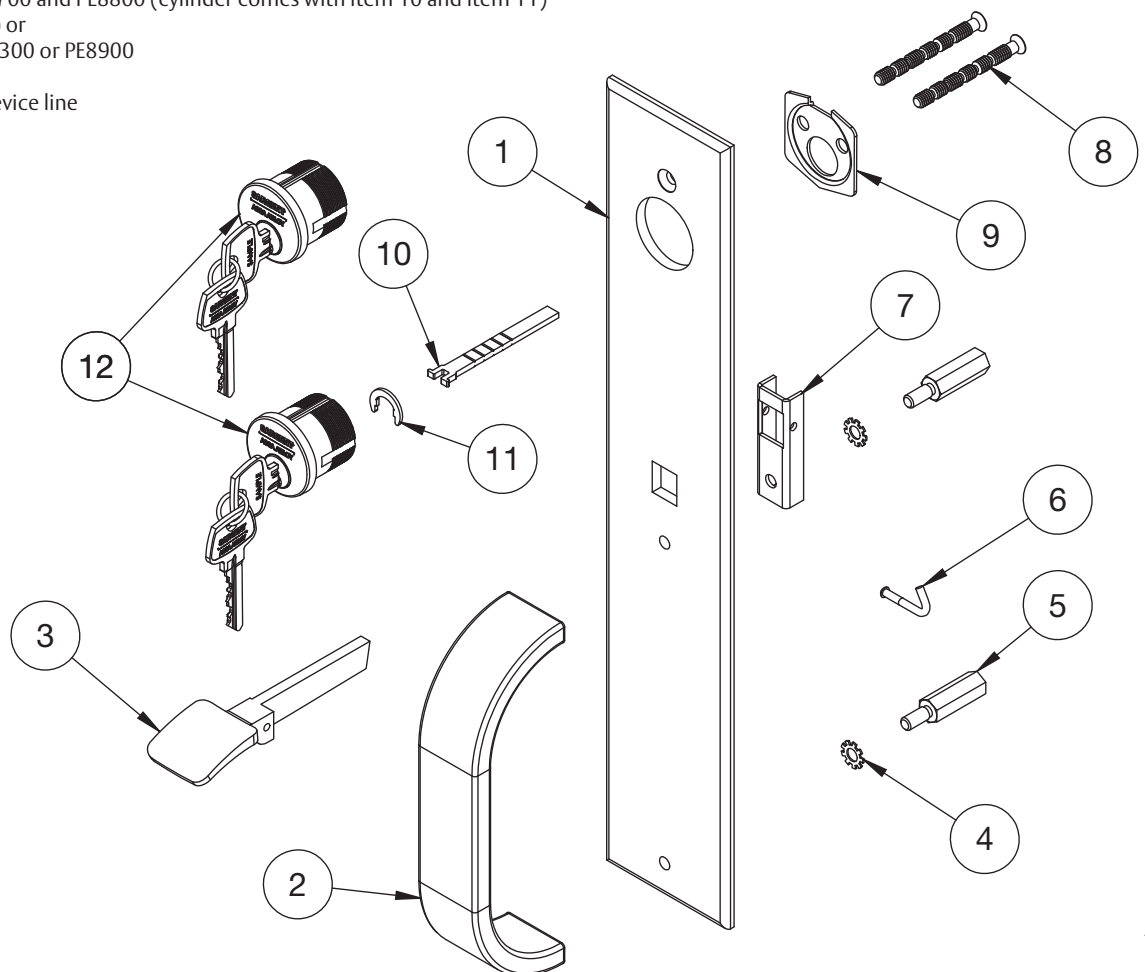
The warranty on SARGENT® products becomes void if the product is modified in any way, regardless of whether the modification causes or contributes to any alleged defect. If a SARGENT product is modified it may no longer meet industry certification and quality control standards applicable to the original product and is no longer a genuine SARGENT product.

Item	Part No.	Description	Qty	Sellable
1	97-0122	Plate ¹	1	Yes
2	21-0165	Grip ¹	1	Yes
3	97-0182	Thumb Piece, LHR ^{1,3}	1	Yes
	97-0189	Thumb Piece, RHR ^{1,3}		Yes
4	01-0227	Lock Washer	2	Yes
5	97-0119	Thru Bolt Stud	2	Yes
6	97-0156	Oval Head Rivet	1	Yes
7	97-0131	Thumb Piece Backplate	1	Yes
8	13-0074	Connecting Screw	2	Yes
9	13-0086	Backplate	1	Yes
10	13-0085	Connecting Bar	1	Yes
11	13-0080	Retainer	1	Yes
12	N/A	Cylinder ^{1,2}	1	Yes
N/A	97-2955	Screw Pack, 1 3/4"	1	Yes
	97-2956	Screw Pack, 2 1/4"		Yes

¹Specify Finish

²Specify cylinder size by keying requirements
Specify #34 cylinder for PE8700 and PE8800 (cylinder comes with item 10 and item 11)
Specify #41 cylinder (1 3/4") or
#43 cylinder (2 1/4") for PE8300 or PE8900

³Specify door thickness and device line



Experience a safer
and more open world

The warranty on SARGENT® products becomes void if the product is modified in any way, regardless of whether the modification causes or contributes to any alleged defect. If a SARGENT product is modified it may no longer meet industry certification and quality control standards applicable to the original product and is no longer a genuine SARGENT product.

Copyright © 2023, SARGENT Manufacturing Company. All rights reserved. Reproduction in whole or in part without the express written permission of SARGENT Manufacturing Company is prohibited.

Auxiliary Controls

P106

P113

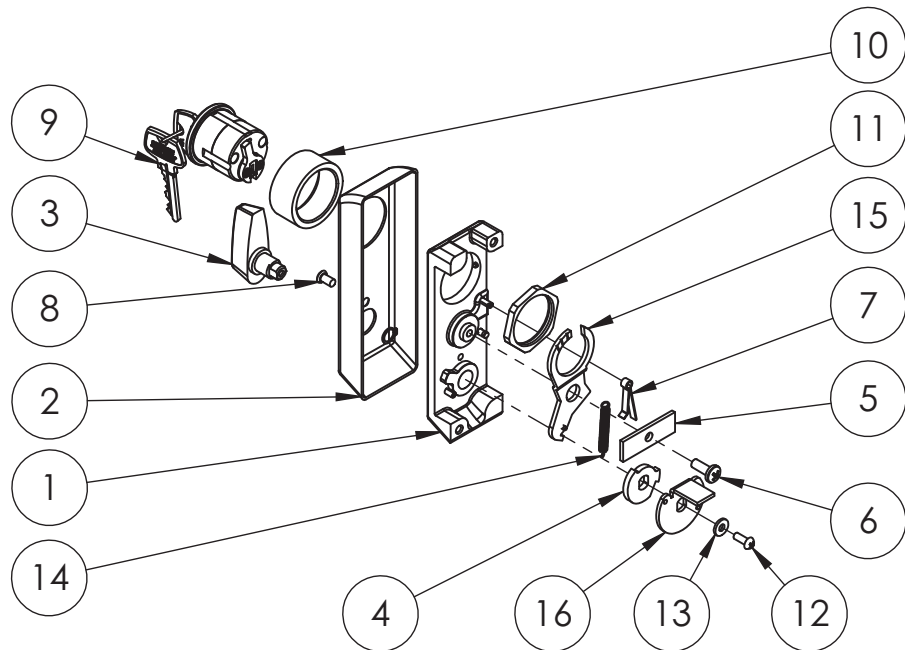
31-P106

31-P113

Item	Part No.	Description	Qty	Sellable
1	94-2089	Chassis Subassembly	1	Yes
2	94-0119	Cover ¹	1	Yes
3	94-2121	Turn Lever Assembly ¹	1	Yes
4	94-0110	Cam	1	Yes
5	94-0051	Lever Locking Plate	1	Yes
6	32-1254	#10-24 x 1/2 PHMS	1	Yes
7	94-0054	Lever Spring	1	Yes
8	97-0052	#8-32 x 5/16 Ohms W/ #6 Head	1	Yes
9	—	Cylinder & Key Assembly ¹	1	Yes
10	97-0350	Cylinder Collar ¹	1	Yes
11	13-0180	Cylinder Nut	1	Yes
12	01-3582	#6-32 x 3/8 RHMS	1	Yes
13	01-0204	#6-32 x 3/8 Flat Washer	1	Yes
14	94-0109	Extension Spring	1	Yes
15	94-0114	Locking Lever	1	Yes
	94-2249	Locking Lever & Pin Assembly	1	Yes
16	94-2087	Lever Assembly for 1-3/4" - 2" door thickness	1	Yes
	94-2419	Lever Assembly for 2-1/4" door thickness	1	Yes
17	PE-2036	Aux Control Link Assembly (WD)	1	Yes
	PE-2037	Aux Control Link Assembly (H1)		
	PE-2352	Aux Control Link Assembly (MD)		
18	PE-0447	Aux Control Bracket Retainer	1	Yes
19	01-1154	#6-32 x 1/4" FHMS	1	Yes

Function	Assembly #	Description	Sellable
Night Latch	94-2093 ¹	Standard	Yes
Classroom	94-2094 ¹		Yes
Night Latch	94-2426 ¹	Cladding	Yes
Classroom	94-2427 ¹		Yes

¹Specify Finish



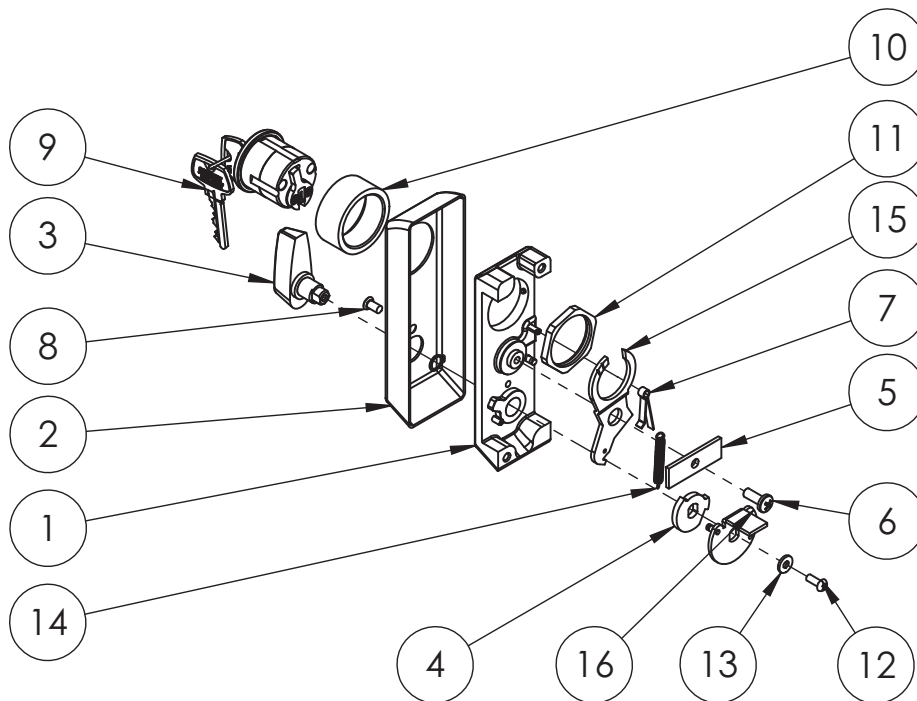
A8373-A 05/23

The warranty on SARGENT® products becomes void if the product is modified in any way, regardless of whether the modification causes or contributes to any alleged defect. If a SARGENT product is modified it may no longer meet industry certification and quality control standards applicable to the original product and is no longer a genuine SARGENT product.

Auxiliary Controls
P306
P313
31-P306
31-P313

Item	Part No.	Description	Qty	Sellable	Function	Assembly #	Description	Sellable
1	94-2089	Chassis Subassembly	1	Yes	Night Latch	94-2091 ¹	Standard	Yes
2	94-0119	Cover ¹	1	Yes	Classroom	94-2092 ¹		Yes
3	94-2121	Turn Lever Assembly ¹	1	Yes	Night Latch	94-2428 ¹	Cladding	Yes
4	94-0110	Cam	1	Yes	Classroom	94-2429 ¹		Yes
5	94-0051	Lever Locking Plate	1	Yes				
6	32-1254	#10-24 x 1/2 PHMS	1	Yes				
7	94-0054	Lever Spring	1	Yes				
8	97-0052	#8-32 x 5/16 Ohms W/ #6 Head	1	Yes				
9	—	Cylinder & Key Assembly ¹	1	Yes				
10	97-0350	Cylinder Collar ¹	1	Yes				
11	13-0180	Cylinder Nut	1	Yes				
12	01-3582	#6-32 x 3/8 RHMS	1	Yes				
13	01-0204	#6-32 x 3/8 Flat Washer	1	Yes				
14	94-0109	Extension Spring	1	Yes				
15	94-0112	Locking Lever	1	Yes				
	94-0114			Yes				
16	94-2329	Lever Assembly	1	Yes				
	94-2088			Yes				
	94-2421			Yes				
	94-2420			Yes				
17	97-2378	Aux Control Lift Lever Assembly ¹	1	Yes				

¹Specify Finish



The warranty on SARGENT® products becomes void if the product is modified in any way, regardless of whether the modification causes or contributes to any alleged defect. If a SARGENT product is modified it may no longer meet industry certification and quality control standards applicable to the original product and is no longer a genuine SARGENT product.

Copyright © 2023, SARGENT Manufacturing Company. All rights reserved. Reproduction in whole or in part without the express written permission of SARGENT Manufacturing Company is prohibited.

The ASSA ABLOY Group is the global leader in access solutions. Every day, we help billions of people experience a more open world.

ASSA ABLOY Opening Solutions leads the development within door openings and products for access solutions in homes, businesses and institutions. Our offering includes doors, frames, door and window hardware, locks, perimeter fencing, access control and service.



SARGENT Manufacturing Company
100 Sargent Drive
New Haven, CT 06511 USA
800-727-5477
www.sargentlock.com

Founded in the early 1800s, SARGENT® is a market leader in locksets, cylinders, door closers, exit devices, electro-mechanical products and access control systems for new construction, renovation, and replacement applications. The company's customer base includes commercial construction, institutional, and industrial markets.

Copyright © 2023, SARGENT Manufacturing Company. All rights reserved. Reproduction in whole or in part without the express written permission of SARGENT Manufacturing Company is prohibited. Patent pending and/or patent www.assaabloydss.com/patents.

A8373:1 05/23

Experience a safer
and more open world