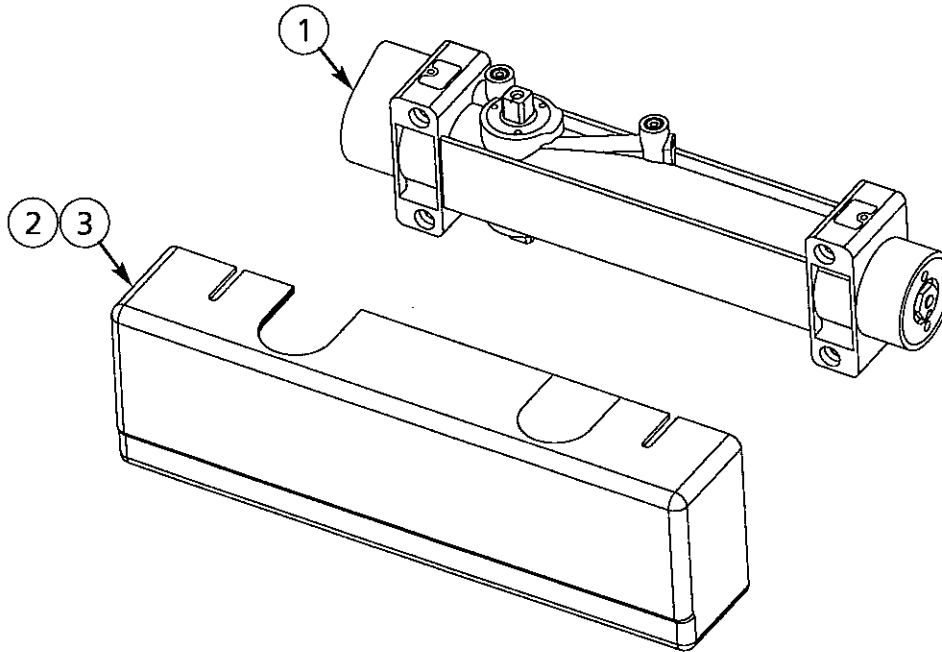


351 Series Door Closer Body Assembly & Cover

PARTS LIST

PAGE NO.	REV.
2	A
DATE:	4/1/04



ITEM	ASSY No.	PART No.	DESCRIPTION	REQ'D
1		13-351	351 Case	1
		13-351-DA	351 Delayed action case	
2		351-C**	Plastic cover non-handed	1
3		351-MC-LH*	Metal cover L.H. (see note)	1
		351-MC-RH*	Metal cover R.H. (see note)	
4	63-3684* Screw pack		Arm mounting screw #12-24 x 3/8"	1
			Arm mounting screw washer	1
			Cover screw #8-32 x 5/16"	2
			Case mounting screw #12-24 x 2-1/4"	4
			01-9120	Self drilling tapping case mounting screw
5		01-2306	Wood screw #12 x 3" (optional)	4

*Finish required: Powder coat finishes – EB, EN, ED, EP, EAB
Plated finishes – 3, 4, 9, 10, 10B, 26, 26D
** Powder coat finishes only

Note: Specify arm being used