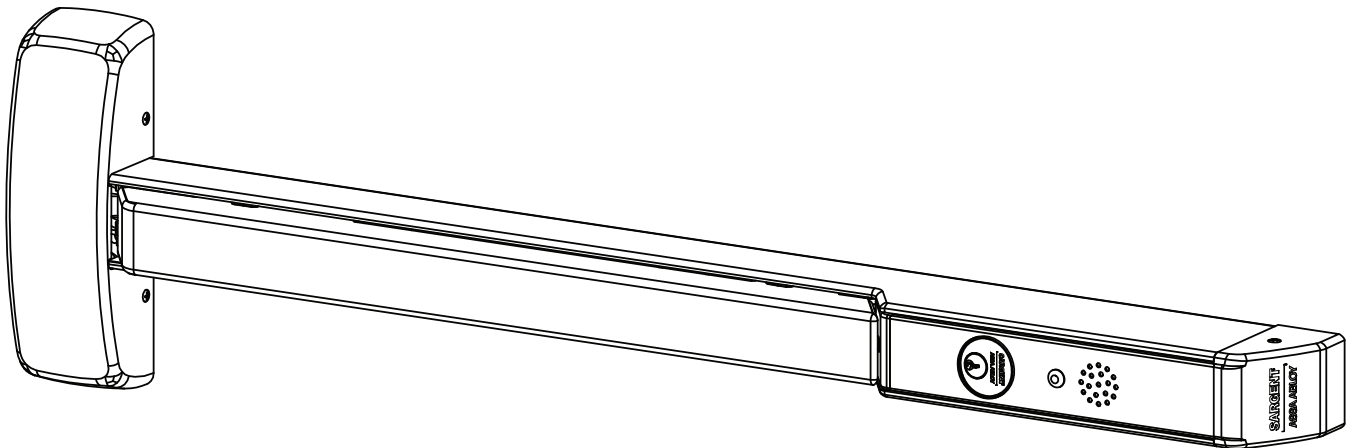


Installation Instructions

SARGENT
ASSA ABLOY

AL-PE80 Series

Alarmed Exit Devices



⚠ WARNING

This product can expose you to lead which is known to the state of California to cause cancer and birth defects or other reproductive harm. For more information go to www.P65warnings.ca.gov.

⚠ WARNING

Attention Installer: Improper installation may result in damage to the product and void the factory warranty.

1-800-727-5477 • www.sargentlock.com

Copyright © 2023, SARGENT Manufacturing Company. All rights reserved. Reproduction in whole or in part without the express written permission of SARGENT Manufacturing Company is prohibited. Patent pending and/or patent www.assaabloydss.com/patents.

A8325-1 05/23

Experience a safer
and more open world

AL-PE80 Series

Alarmed Exit Devices

Installation Instructions

SARGENT

ASSA ABLOY

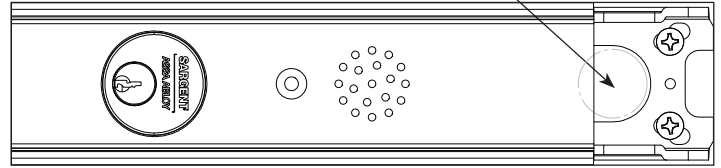
1 General Description

The SARGENT Alarmed Exit is designed for areas that require an alarm to sound upon exiting. Once armed, any push rail movement will activate the horn in the push rail. The horn will continue to sound for two minutes and then shut off automatically. The LED will flash indicating a violation has occurred.

Manual dogging is provided standard on non fire rated devices.



1" diameter hole(s) required for routing wires into the door when remote option(s) is used.



Notes:

- Installation must be performed by a trained service person.
- Basic installation is 9V alkaline battery operated. For hardwired option use 546 Wiring harness - See instruction sheet included with kit.
- **Field cut rail assemblies are not allowed.** Exit device must be ordered from the factory for specific door width.

Tools Needed



AL-PE80 Series

Alarmed Exit Devices

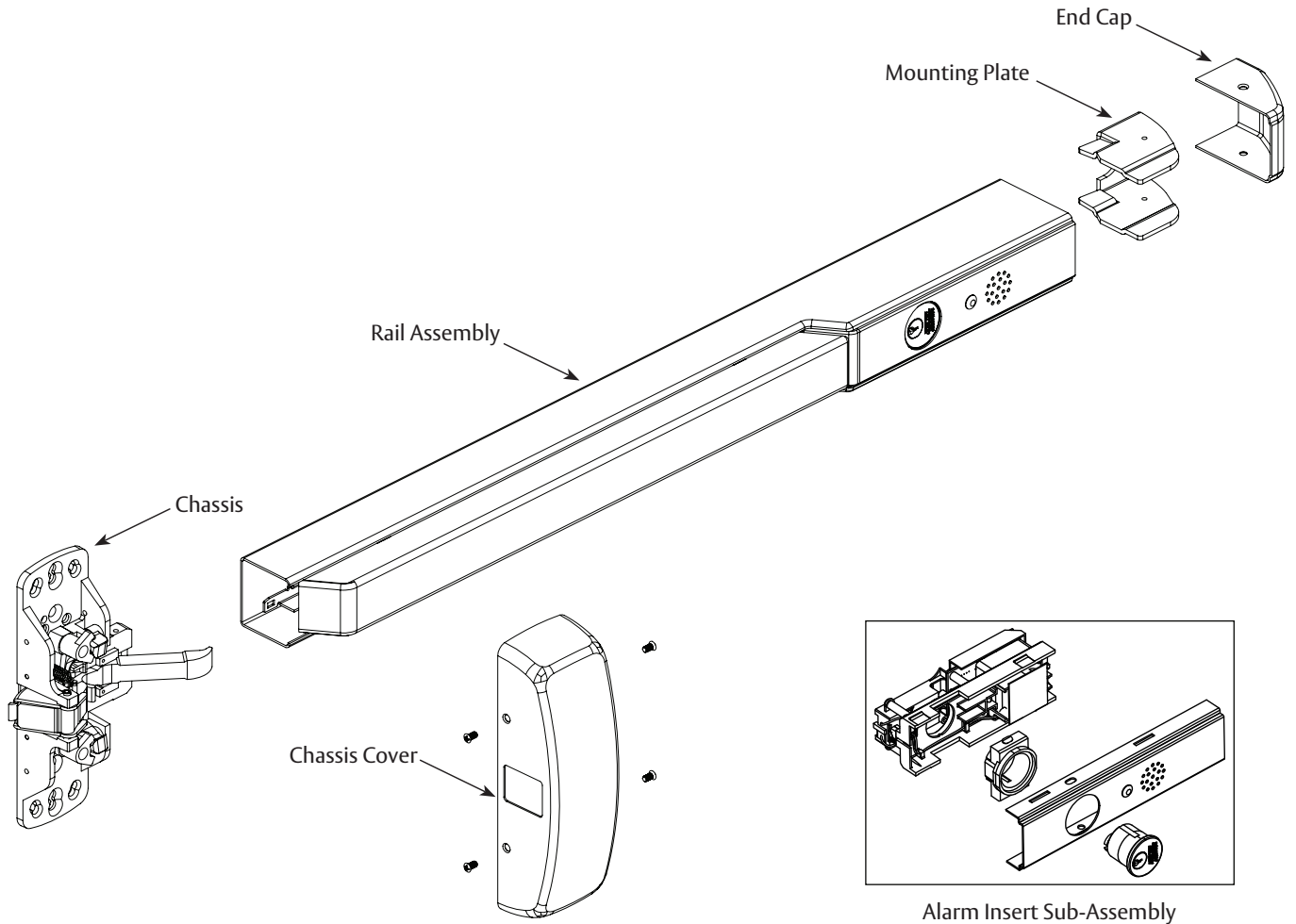
Installation Instructions

SARGENT

ASSA ABLOY

2

Miscellaneous Parts



AL-PE80 Series

Alarmed Exit Devices

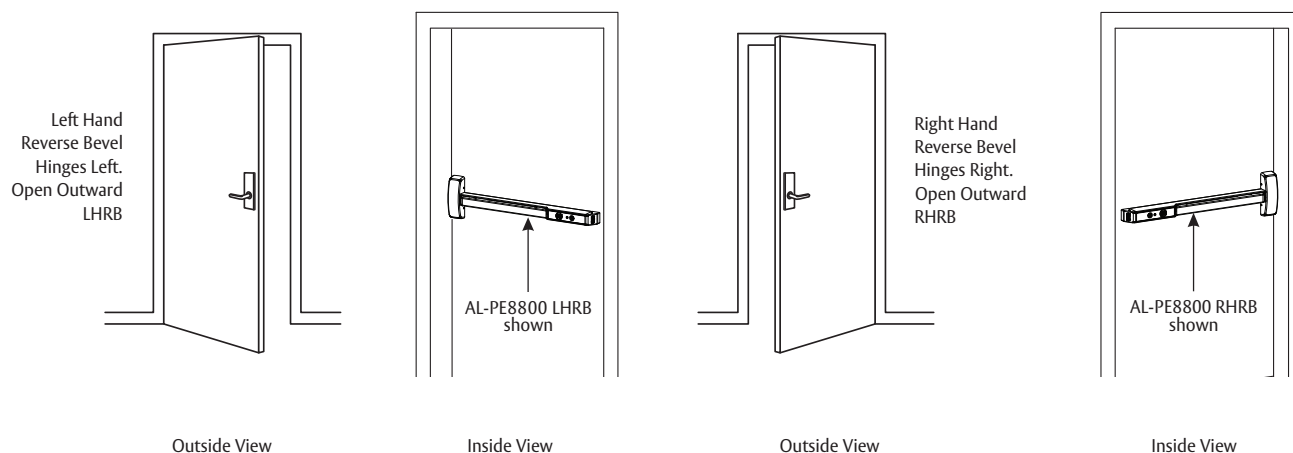
Installation Instructions

SARGENT

ASSA ABLOY

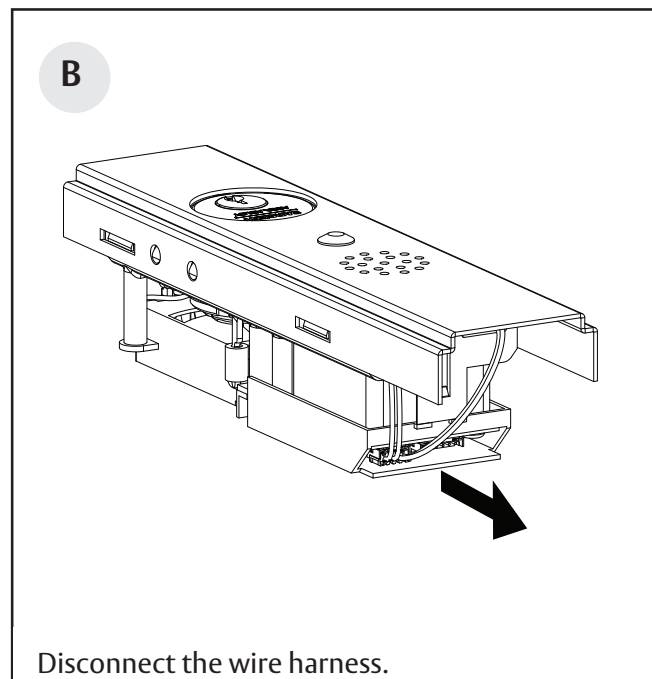
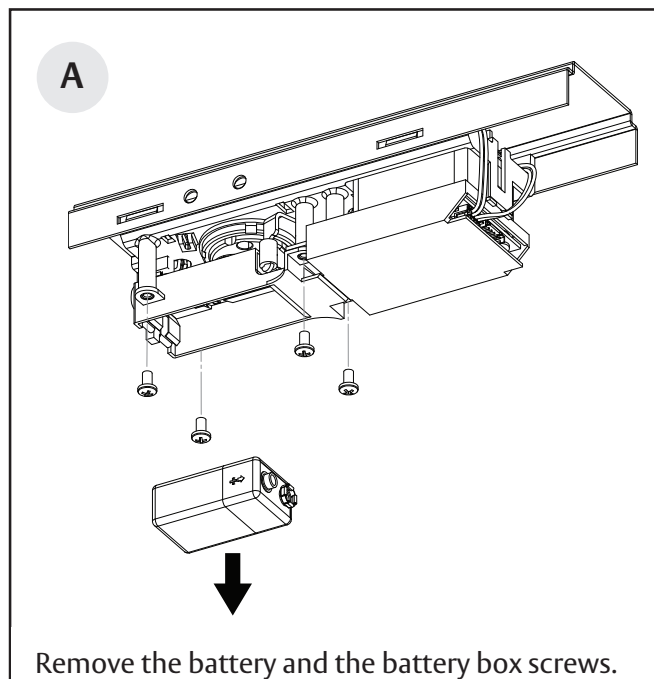
3 Door Preparation and Handing

Verify hand and bevel of door. Exit devices are always reverse bevel and are mounted on the inside of the door.

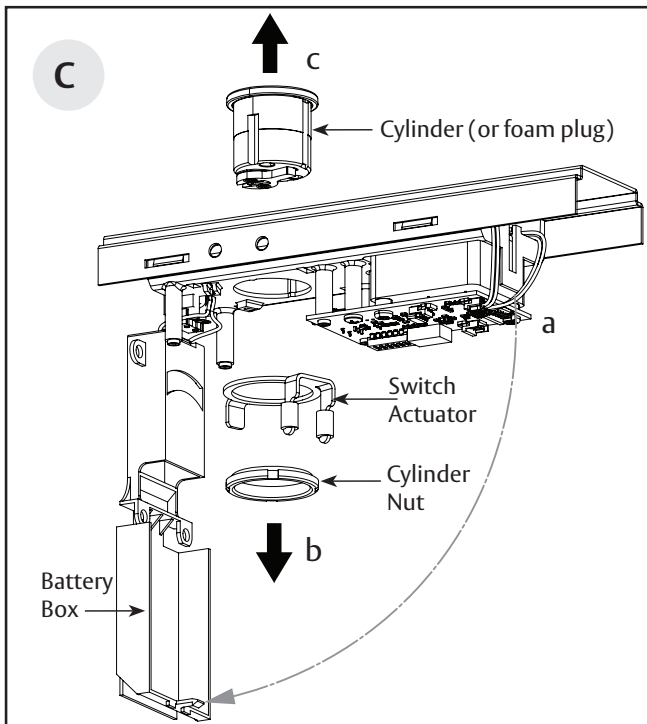


4 Cylinder Installation or Replacement

Note: If the cylinder is factory installed, go to Step 5 Installation Instructions on page 6.

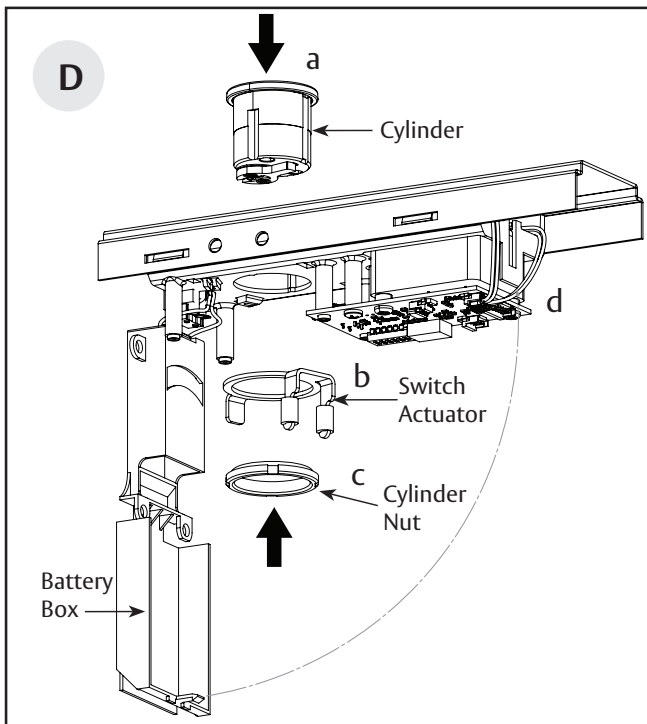


4 Cylinder Installation or Replacement (continued)



Remove the original cylinder (or foam plug, if ordered without the cylinder):

- Remove the battery box to expose the rear side of the cylinder side. Use caution not to damage any wire or switch when opening the battery box as it is still connected to the assembly with the battery terminal wires.
- Remove the cylinder nut and switch actuator.
- Remove the original cylinder (or foam plug).



Install the new cylinder:

- Install the new cylinder to the insert sub-assembly with the keyway closest to the switch end.
- Reinstall the switch actuator with its legs on opposite sides of the toggle switch on the alarm board.
- Reinstall the cylinder nut, then tighten.
- Replace the battery box.

AL-PE80 Series

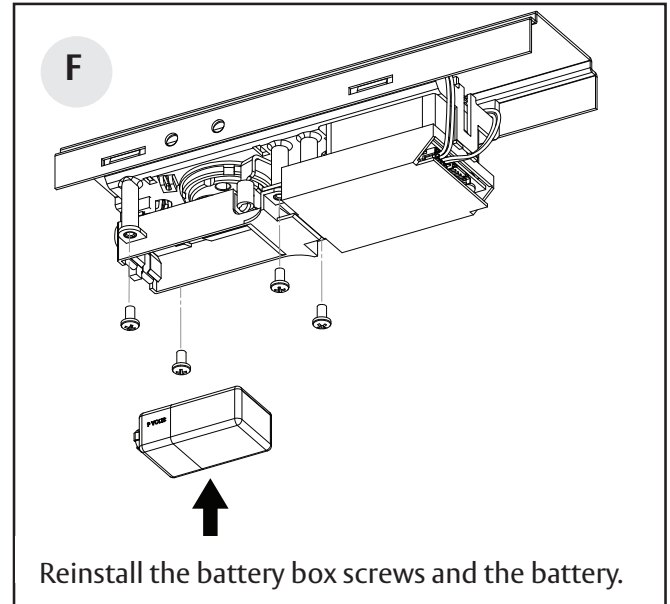
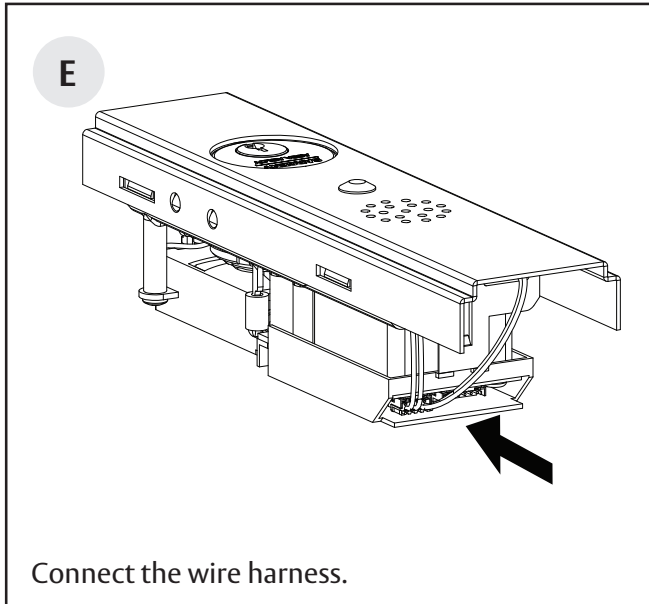
Alarmed Exit Devices

Installation Instructions

SARGENT

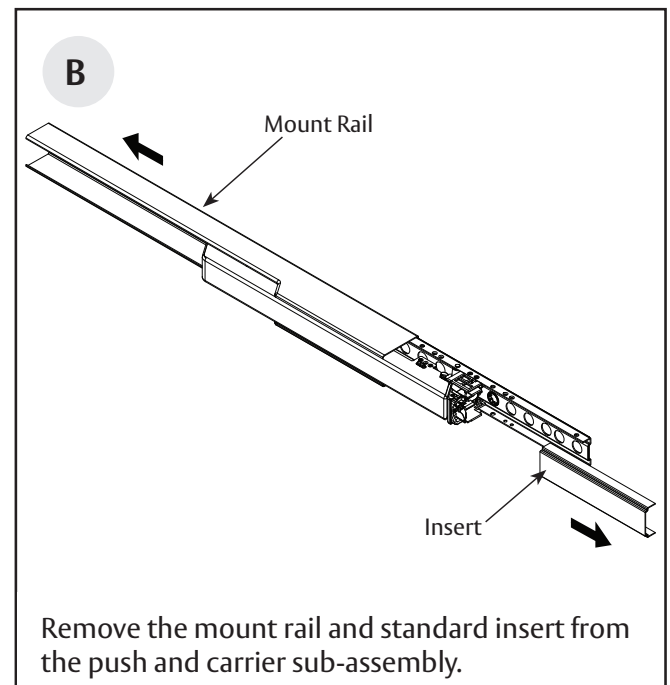
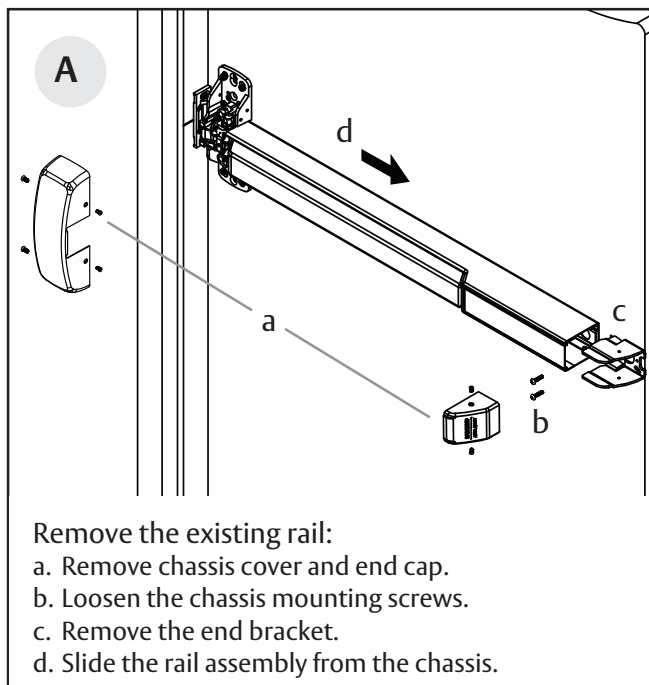
ASSA ABLOY

4 Cylinder Installation or Replacement (continued)



5 Installation Instructions (for retrofit kit)

Note: If an AL- prefix was ordered on a full device, refer to those instructions for the device installation. The following instructions are for alarm setup.



AL-PE80 Series

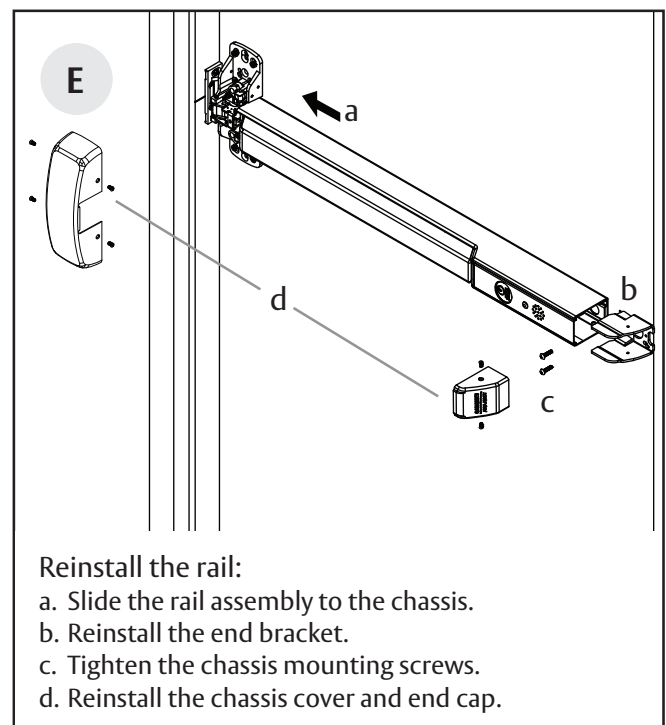
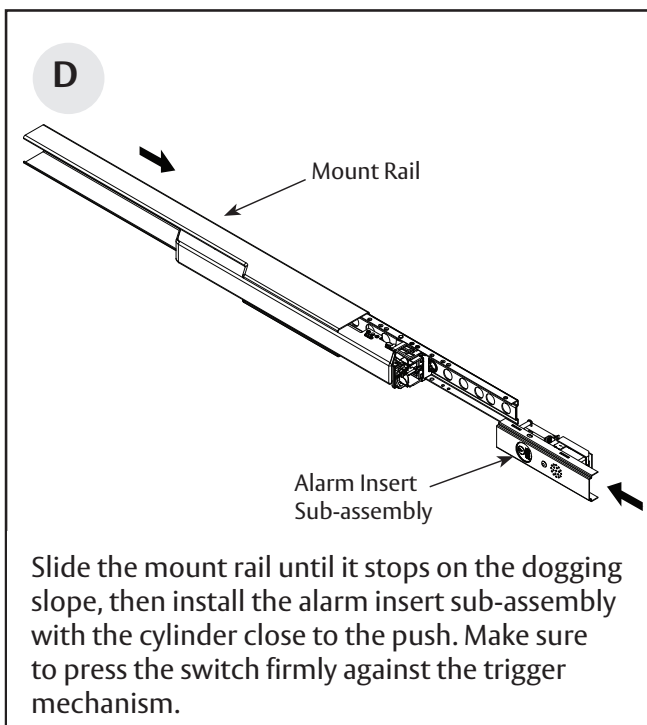
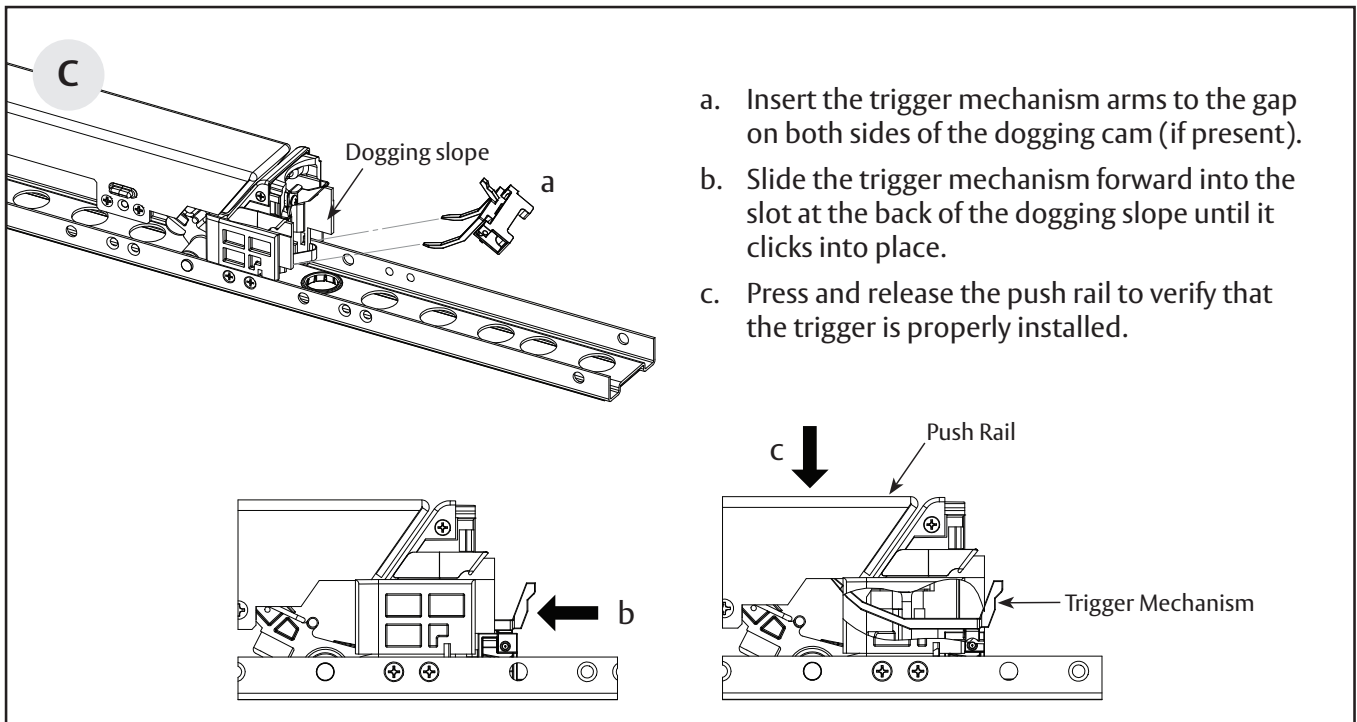
Alarmed Exit Devices

Installation Instructions

SARGENT

ASSA ABLOY

5 Installation Instructions (for retrofit kit, continued)



AL-PE80 Series

Alarmed Exit Devices

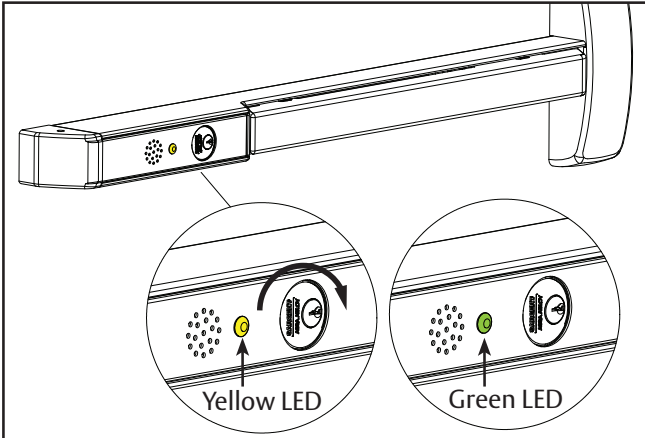
Installation Instructions

SARGENT

ASSA ABLOY

6 Alarmed Exit (AL-) Standard Operating Instructions

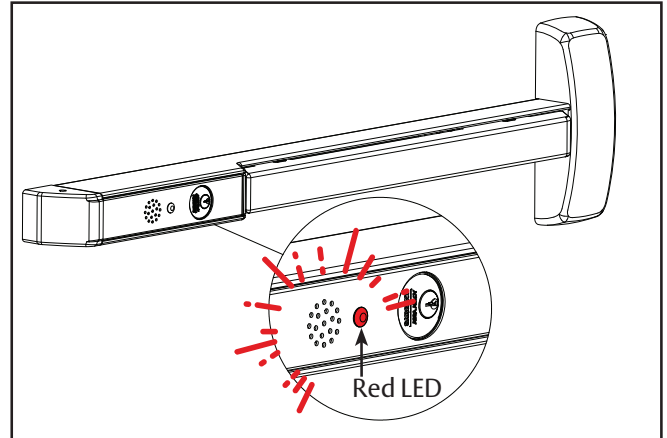
To Arm Device



Turn the key clockwise. The LED will flash yellow (PASSAGE) for 15 seconds (default). A quick chirp will sound and the LED will flash green (ARMED) every 30 seconds. Signal indicates unit is armed.

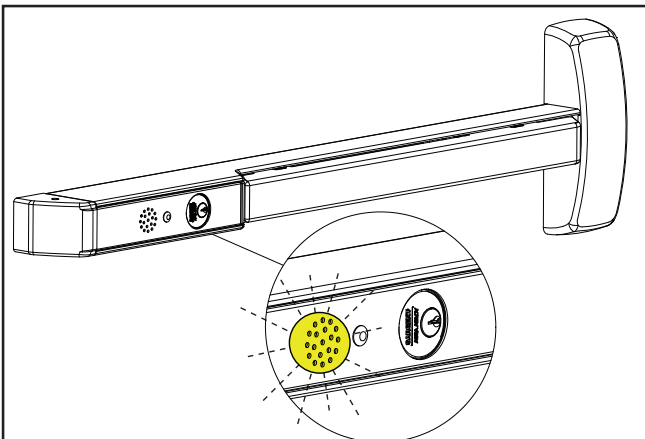
NOTE: The unit is automatically armed 15 seconds after the unit is turned on. Field selectable settings listed on the next page.

Security / Tamper Violation



When ARMED, depressing the push rail will activate the alarm. The alarm will sound and the LED will flash red (VIOLATION). The alarm will continue for 2 minutes (default). After 2 minutes, the LED will flash red every 30 seconds until rearmed using the key. Turn the key counter clockwise to deactivate the alarm, then clockwise to rearm.

Low Battery Alert



The alarm chirps intermittently to indicate low battery. Change the battery.

Battery: 9V alkaline

AL-PE80 Series

Alarmed Exit Devices

Installation Instructions

SARGENT

ASSA ABLOY

7 Optional Settings

These field selectable switches can change the following functions:

Auto Alarm Reset

DS3	DS4	Timer Reset
OFF	OFF	2 minutes
OFF	ON	5 minutes
ON	OFF	10 minutes
ON	ON	Continuous*

Request to Exit/ Passage Time Delay

DS1	DS2	Timer Reset
OFF	OFF	7 seconds
OFF	ON	10 seconds
ON	OFF	15 seconds
ON	ON	20 seconds

DS5	
ON	GREEN/ARMED RED/VIOLATION YELLOW/ PASSAGE (DEFAULT)
OFF	GREEN/VIOLATION RED/ARMED YELLOW PASSAGE

Recommend 3267 power supply and 546 wiring harness.

DS6*	
ON	Monitor relay is enabled (will activate when rail is violated)

*Requires 546 wire harness. See optional 546 wiring instructions for more information.

AL-PE80 Series
Alarmed Exit Devices
Installation Instructions



AL-PE80 Series

Alarmed Exit Devices

Installation Instructions

SARGENT[®]

ASSA ABLOY

