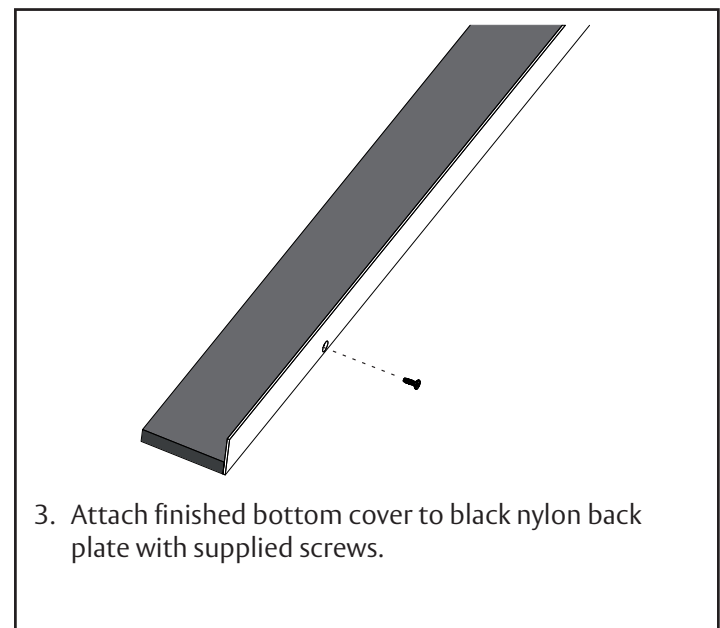
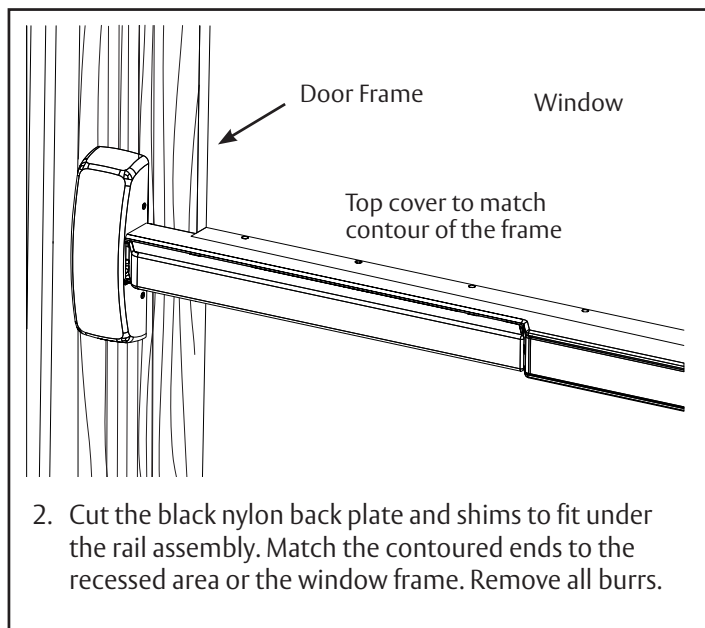
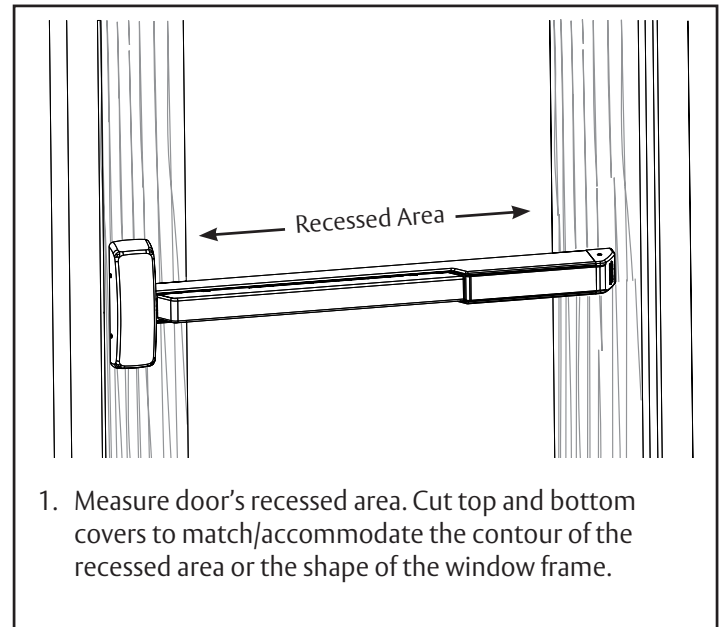
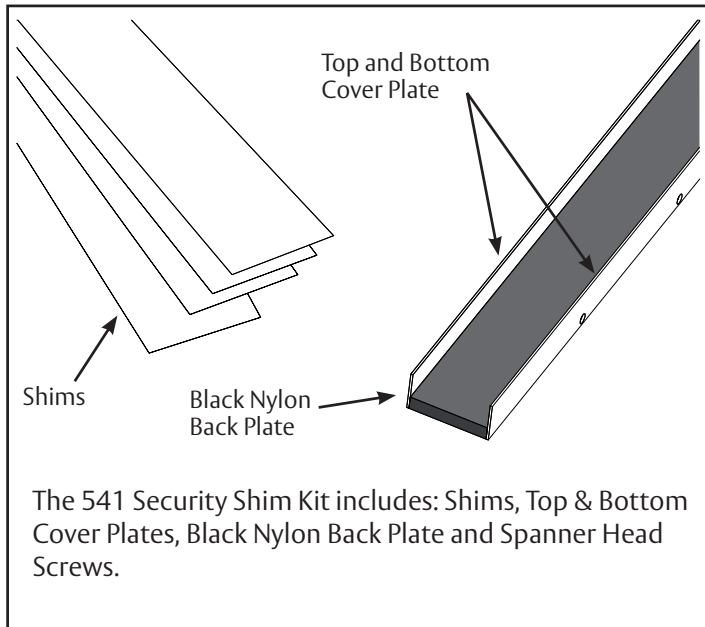


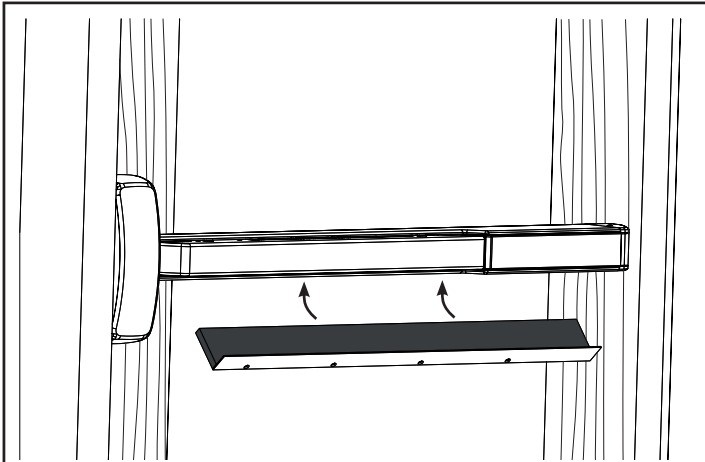
## PE80 Series 541 Exit Device

### Security Shim Kit

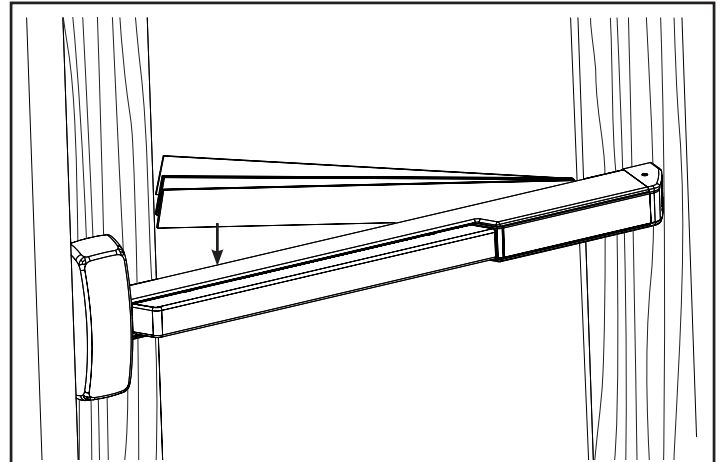


The ASSA ABLOY Group is the global leader in access solutions. Every day we help people feel safe, secure and experience a more open world.

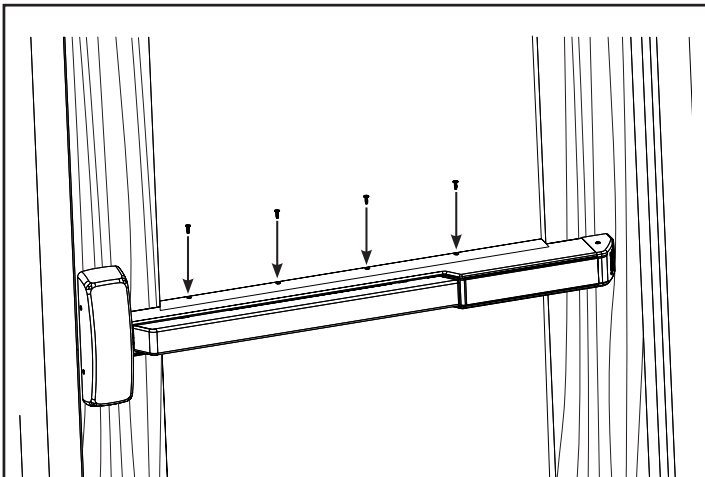
**SARGENT**  
**ASSA ABLOY**



4. Slide the assembled kit into position from the underside of the rail.



5. Insert supplied shims to fill the gap between the backside of the rail and the black nylon back plate.  
**Note:** Do not force fit shims.



6. Attach the top cover with supplied screws to capture the shims and secure the shim kit assembly.

SARGENT Manufacturing Company  
100 Sargent Drive  
New Haven, CT 06511 USA  
800-727-5477  
[www.sargentlock.com](http://www.sargentlock.com)

1-800-727-5477 • [www.sargentlock.com](http://www.sargentlock.com)

Copyright © 2009, 2023 SARGENT Manufacturing Company. All rights reserved. Reproduction in whole or in part without the express written permission of SARGENT Manufacturing Company is prohibited.

 **WARNING**

This product can expose you to lead which is known to the state of California to cause cancer and birth defects or other reproductive harm. For more information go to [www.P65warnings.ca.gov](http://www.P65warnings.ca.gov).

A8372-1 5/23

Experience a safer  
and more open world