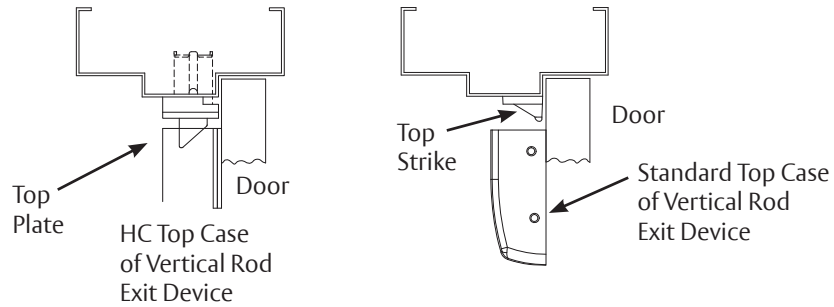
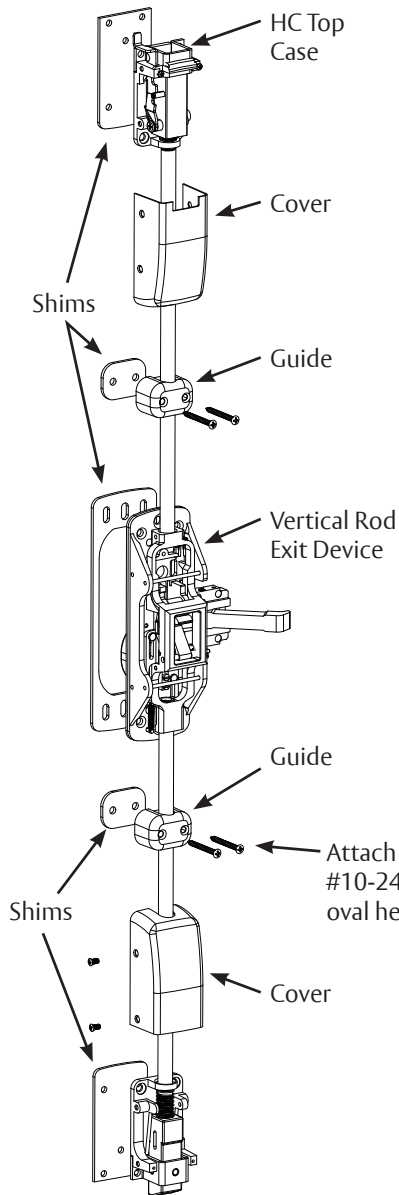
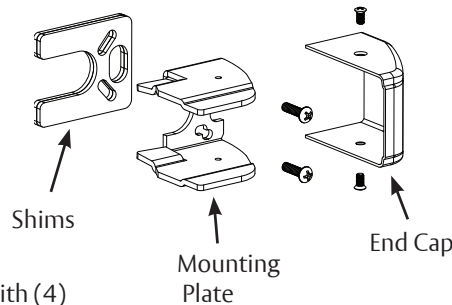


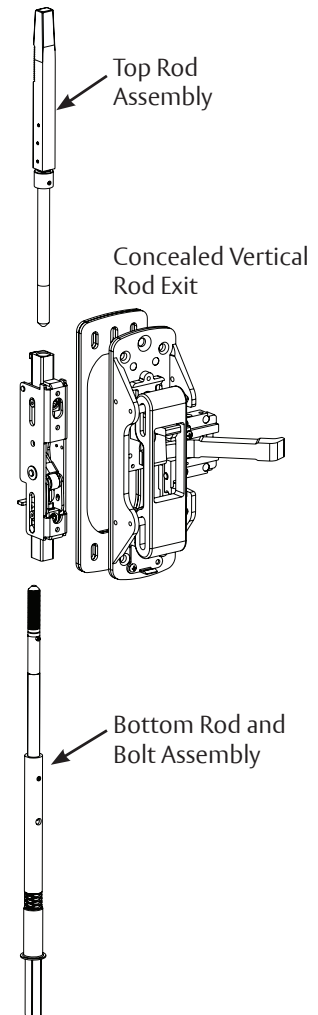
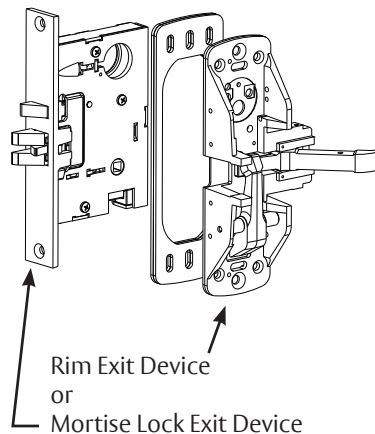
## PE80 Series Exit Device with Shim Kit (Flush or Overlapping) for doors with glass bead



1. Place shim plates under the exit device as illustrated. (1/4" Max - not to exceed 2 plates).
2. Use screws provided in the screw pack to attach the exit device and shims to the door.



Attach guides with (4) #10-24 x 1 1/2" Phillips oval head machine screws.



### ⚠ WARNING

This product can expose you to lead which is known to the state of California to cause cancer and birth defects or other reproductive harm. For more information go to [www.P65warnings.ca.gov](http://www.P65warnings.ca.gov).

1-800-727-5477 • [www.sargentlock.com](http://www.sargentlock.com)

Copyright © 2023 SARGENT Manufacturing Company. All rights reserved. Reproduction in whole or in part without the express written permission of SARGENT Manufacturing Company is prohibited.

A8336-1 5/23

Experience a safer  
and more open world