

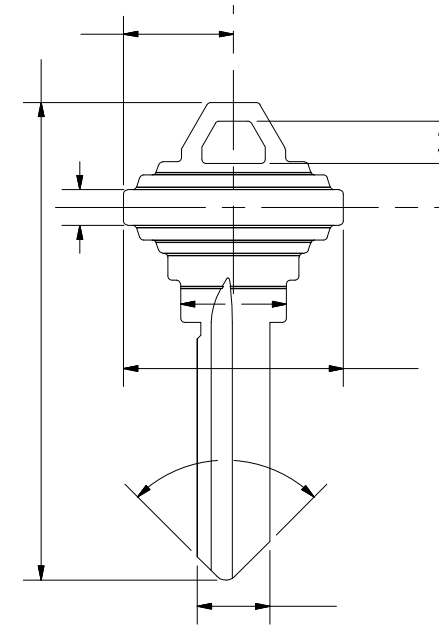


**GMS**<sup>TM</sup>  
LOCK CYLINDERS

## A PERFECT FIT

At GMS, we are committed to quality, value, and the needs of our customers. Since our inception, we have built a reputation as a manufacturer of reliable, high-quality lock cylinders in the industry. We maintain an unwavering attention to detail and adhere to OEM specifications to ensure that our products are always "A Perfect Fit" for applications where our cylinders are used.

Our goal is to become the preferred brand and market leader in lock cylinders and related products for aftermarket distributors and end users.



- 4 ▶ General Information
- 5 ▶ Keyways
- 6 ▶ Mortise Cylinders
- 8 ▶ IC Mortise Housings
- 10 ▶ Mortise T-Turn/Dummy Cylinders
- 12 ▶ Mortise Cylinder Cams
- 14 ▶ Mortise Cylinder Collars/Rings
- 16 ▶ Rim/Rim Dummy Cylinders
- 18 ▶ IC Rim Housings
- 20 ▶ Knob/Lever Cylinders
- 22 ▶ IC Cores
- 24 ▶ Construction Cores
- 25 ▶ Tools and Accessories
- 26 ▶ Profile Cylinders
- 28 ▶ Padlocks
- 30 ▶ Key Blanks
- 32 ▶ Parts and Accessories



# GENERAL INFORMATION

## SPECIFICATIONS

GMS cylinders are designed and manufactured to OEM specifications. They are the ideal alternative to OEM brands of cylinders due to the exact keying/pinning specifications. This ensures the integrity of the key system can be maintained at a fraction of the cost when compared to using OEM cylinders.

## NUMBERING SYSTEM

The GMS numbering system is shown in each section of the catalog. In creating our numbering system, we have put in a great effort to make the numbering system as descriptive and intuitive as possible. All information such as product type, length, keyway, finish, cam and keying are built into the numbering system to be the most intuitive and easy to use in the industry.

## KEYING

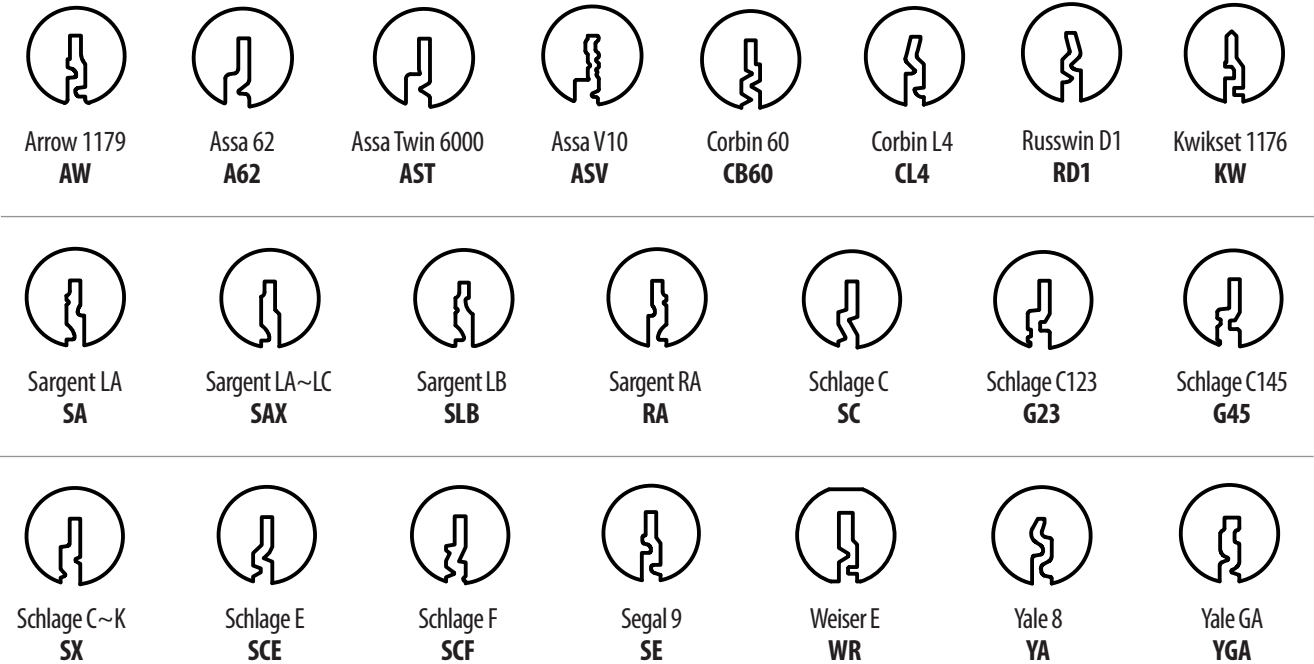
GMS offers a wide range of keying options. Cylinders are usually stocked keyed alike in pairs, zero-bitted or keyed different. Options like master/grand master keying, construction keying or any custom options can be supplied. Please contact us for details.

## FINISHES



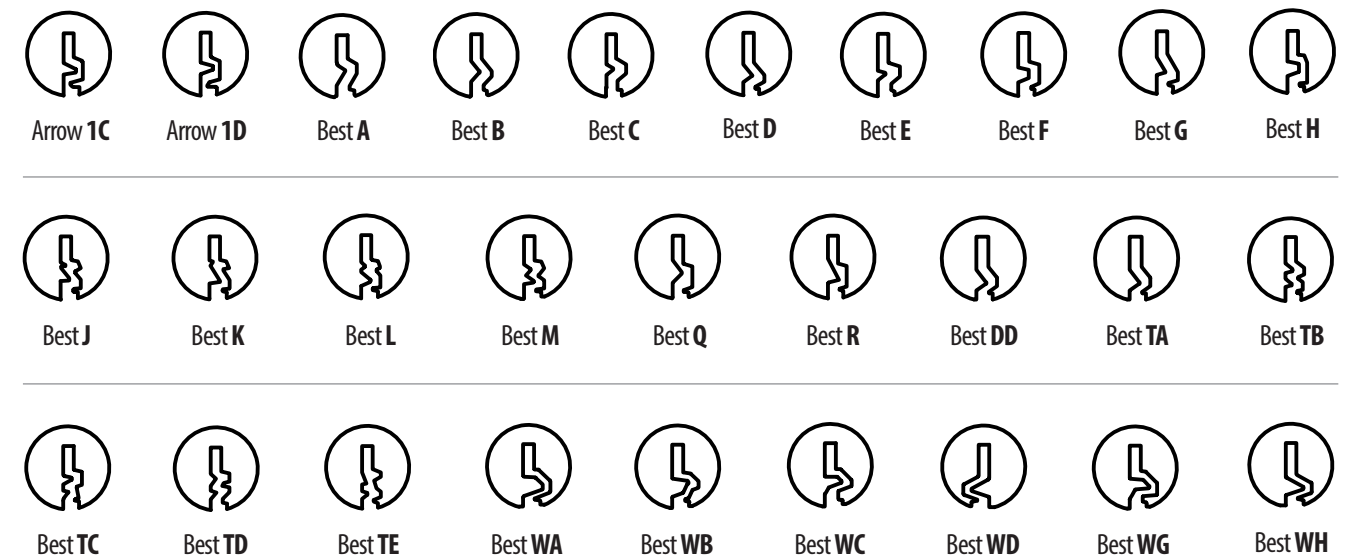
## STANDARD KEYWAYS

GMS manufactures the keyways shown below as part of our standard offering. All of the keyways are designed to meet the OEM specification.



## SMALL FORMAT INTERCHANGEABLE CORE KEYWAYS

GMS meets the precise tolerances required for SFIC Cores. Precision manufacturing means that there will not be any key interchange when using these products.

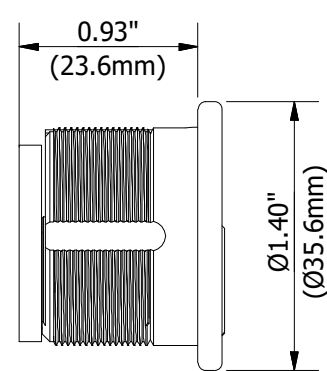
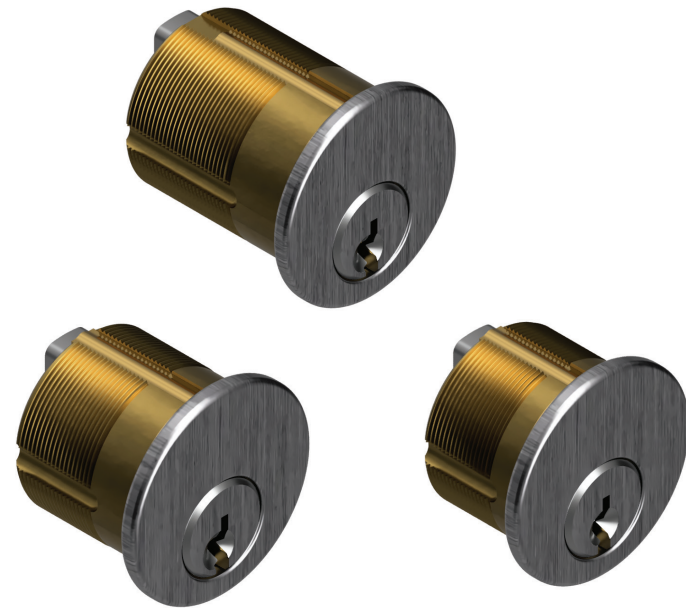


# MORTISE CYLINDERS

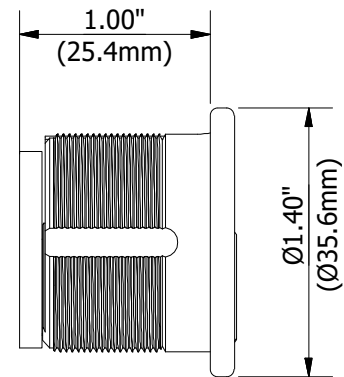
- ▶ Solid brass construction
- ▶ Exact OEM pinning specifications
- ▶ Precision CNC machined
- ▶ Anti-slip cam screws

MODEL	DESCRIPTION
M156	15/16" mortise cylinder
M100	1" mortise cylinder
M118	1-1/8" mortise cylinder
M114	1-1/4" mortise cylinder
M138	1-3/8" mortise cylinder
M112	1-1/2" mortise cylinder

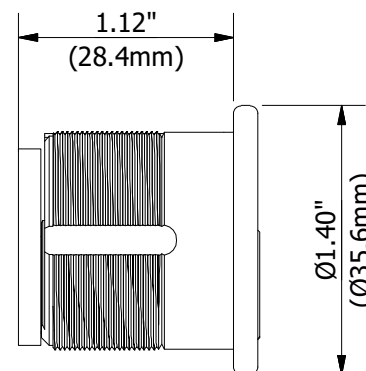
Extended lengths available, call for details.



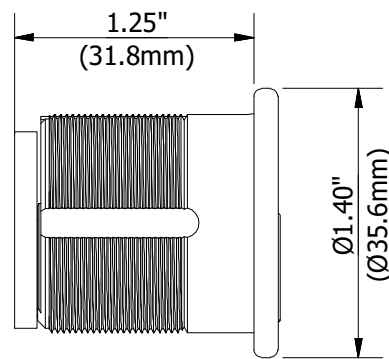
M156



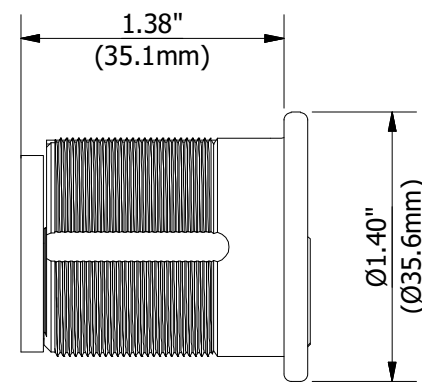
M100



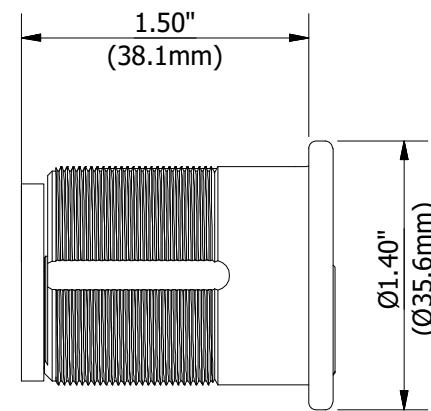
M118



M114



M138



M112

## HOW TO ORDER MORTISE CYLINDERS

MODEL	KEYWAY	FINISH	CAM	KEYING
M156	AW (Arrow 1179)	3 (Polished Brass)	AL (Almet)	A2 (Keyed alike in pairs)
M100	CB (Corbin 60)	4 (Satin Brass)	AR (Adams Rite)	KD (Keyed different)
M118	KW (Kwikset 1176)	10 (Satin Bronze)	AT (Adams Rite & Yale)	OB (Zero bitted)
M114	SC (Schlage C)	10B (Oil Rubbed Bronze)	BE (Best)	Except M156/M100, cylinders are drilled 6, pinned 5.
M138	SE (Segal 9)	15 (Satin Nickel)	CL (Corbin)	
M112	SX (Schlage C~K)	19* (Black)	SA (Sargent)	
	WR (Weiser E)	26 (Polished Chrome)	SL (Schlage)	
	YA (Yale 8)	26D (Satin Chrome)	ST (Yale)	
M118	CL4 (Corbin L4)	32D (Stainless Steel)	TS (Falcon/Saflok)	A2-6 (Keyed alike in pairs)
M114	RD1 (Russwin D1)			KD-6 (Keyed different)
M138	SA (Sargent LA)			OB-6 (Zero bitted)
M112	SAX (Sargent LA~LC)			Cylinders are drilled 6, pinned 6.
	SLB (Sargent LB)			
	RA (Sargent RA)			
	SCE (Schlage E)			
	SCF (Schlage F)			
	YGA (Yale GA)			
M118	A62 (Assa A62)			NK-6
M114	AST (Assa Twin 6000)			Cylinders are sub-assembled with followers, no keys.
	ASV (Assa V10)			
	G23 (Schlage C123)			
	G45 (Schlage C145)			

\*Schlage keyways have matching US19 plugs

**EXAMPLES** M156KW10BARA2  
M118SC10BATA2  
M114G2319STNK-6

# IC MORTISE HOUSINGS

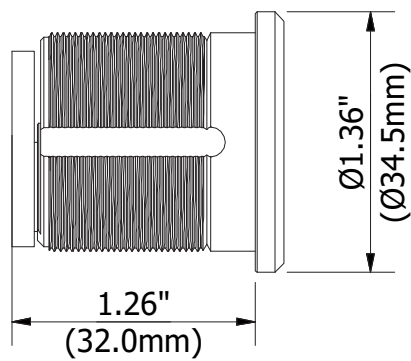
- ▶ Solid brass construction
- ▶ Exact OEM dimensions
- ▶ Precision CNC machined
- ▶ Removable cams with anti-slip screws



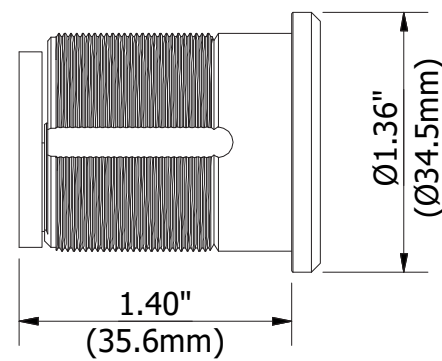
MODEL	DESCRIPTION
ICM6	Best small format, straight mortise housing, 6 pin
ICM7	Best small format, straight mortise housing, 7 pin
ICT6	Best small format, tapered mortise housing, 6 pin
ICT7	Best small format, tapered mortise housing, 7 pin
ICS	Schlage large format, mortise housing
CCM	Corbin large format, mortise housing
MCM	Medeco large format, mortise housing
SCM	Sargent large format, mortise housing
YCM	Yale large format, mortise housing

## HOW TO ORDER IC MORTISE HOUSINGS

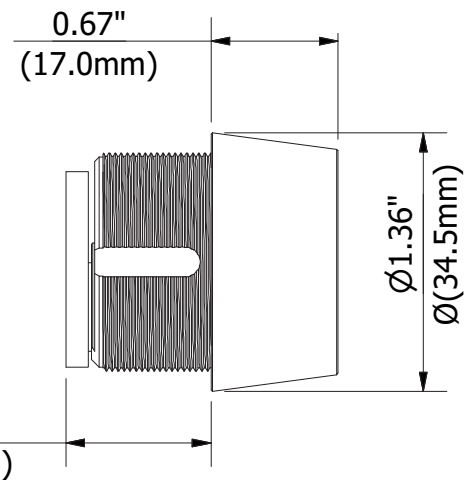
MODEL	FINISH	CAM
ICM6	3 (Polished Brass)	AL (Almet)
ICM7	4 (Satin Brass)	AR (Adams Rite)
ICT6	10B (Oil Rubbed Bronze)	BE (Best)
ICT7	19 (Black)	CL (Corbin)
CCM	26 (Polished Chrome)	SA (Sargent)
MCM	26D (Satin Chrome)	SL (Schlage)
SCM		ST (Yale)
YCM		TS (Falcon/Saflok)
ICS		AR (Adams Rite)
		BE40 (Best 40H)
		CL (Corbin)
		SA (Sargent)
		SL (Schlage)
		ST (Yale)
		TS (Falcon/Saflok)



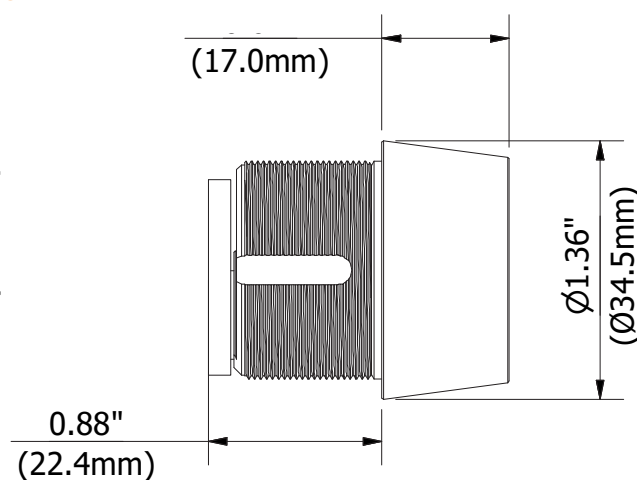
ICM6



ICM7

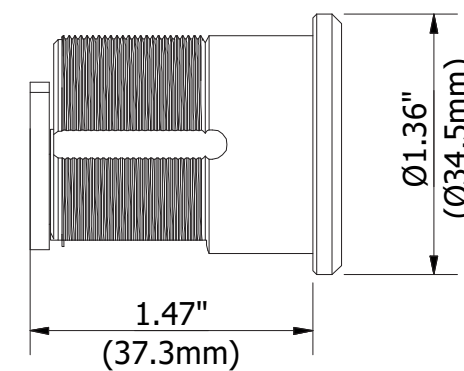


ICT6

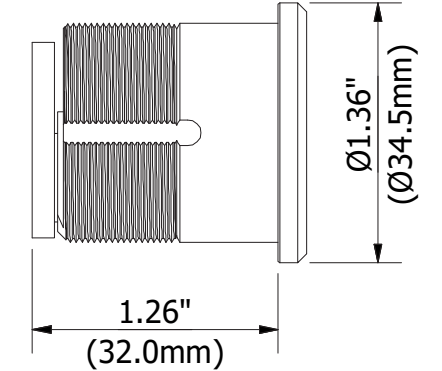


ICT7

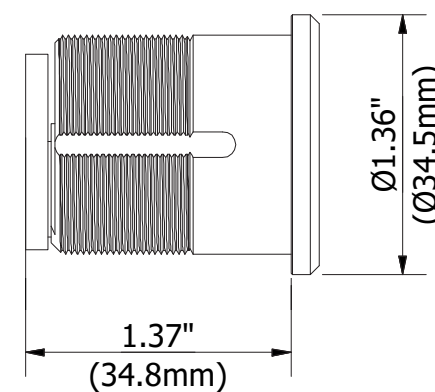
### EXAMPLES ICM726DST ICS19SL



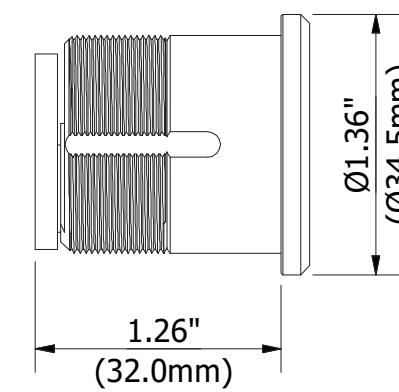
ICS



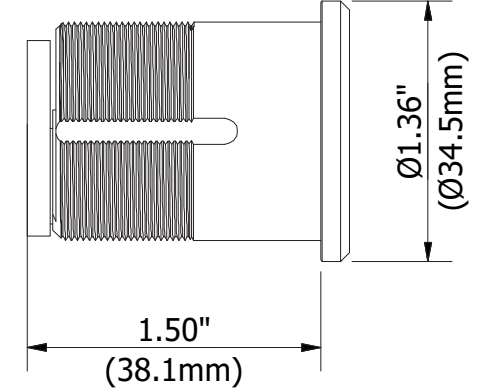
CCM



MCM



SCM



YCM

# MORTISE T-TURN/DUMMY CYLINDERS

- ▶ Solid brass housing
- ▶ ADA turn-piece available
- ▶ Exact OEM dimensions
- ▶ Precision CNC machined

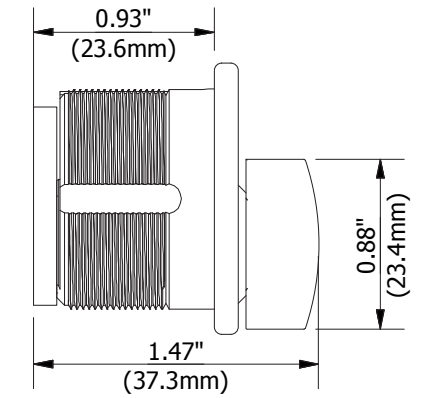
MODEL	DESCRIPTION
M156T	15/16" mortise t-turn
M156TA	15/16" mortise ADA t-turn w. classroom function
M156TL	15/16" mortise t-turn, low profile
M100T	1" mortise t-turn
M100TA	1" mortise ADA t-turn w. classroom function
M100TL	1" mortise t-turn, low profile
M118T	1-1/8" mortise t-turn
M118TA	1-1/8" mortise ADA t-turn w. classroom function
M114T	1-1/4" mortise t-turn
M114TA	1-1/4" mortise ADA t-turn w. classroom function
M138T	1-3/8" mortise t-turn
M138TA	1-3/8" mortise ADA t-turn w. classroom function
M112T	1-1/2" mortise t-turn
M112TA	1-1/2" mortise ADA t-turn w. classroom function
M156D	15/16" mortise dummy
M100D	1" mortise dummy
M118D	1-1/8" mortise dummy
M114D	1-1/4" mortise dummy



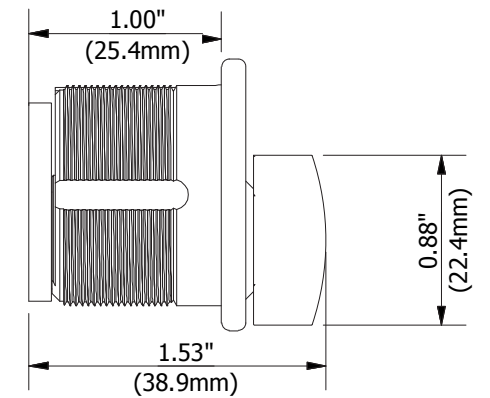
## HOW TO ORDER MORTISE T-TURN/DUMMY CYLINDERS

MODEL	FINISH	CAM
M156T	3 (Polished Brass)	AL (Almet)
M156TA	4 (Satin Brass)	AR (Adams Rite)
M156TL	10 (Satin Bronze)	AT (Adams Rite & Yale)
M100T	10B (Oil Rubbed Bronze)	BE (Best)
M100TA	15 (Satin Nickel)	CL (Corbin)
M100TL	19 (Black)	SA (Sargent)
M118T	26 (Polished Chrome)	SL (Schlage)
M118TA	26D (Satin Chrome)	ST (Yale)
M114T	32D (Stainless Steel)	TS (Falcon/Saflok)
M114TA		
M138T		
M138TA		
M112T		
M112TA		
M156D		N/A
M100D		
M118D		
M114D		

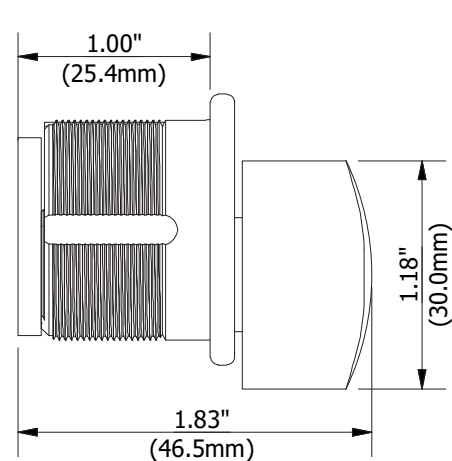
EXAMPLES M100T26DAR  
M118D10B



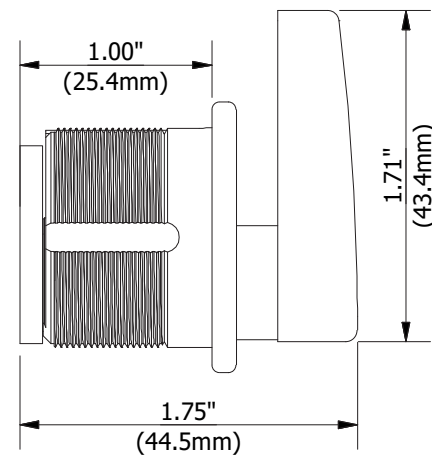
M156TL



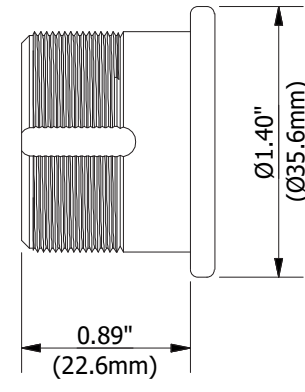
M100TL



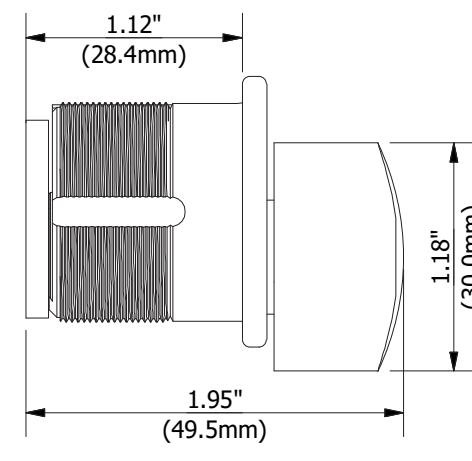
M100T



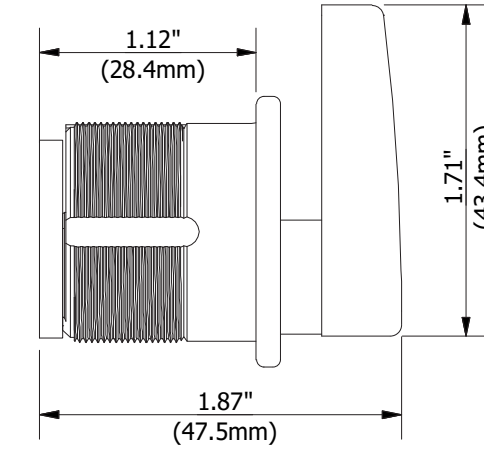
M100TA



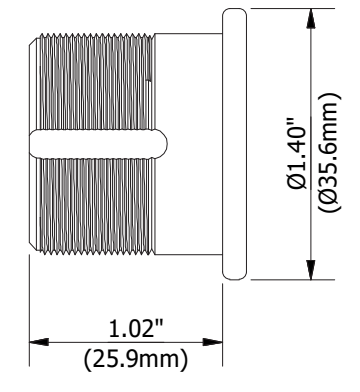
M100D



M118T



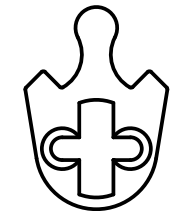
M118TA



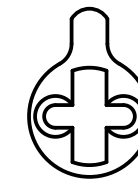
M118D

# MORTISE CYLINDER CAMS

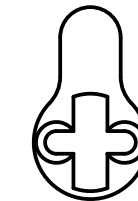
PART NUMBER	DESCRIPTION	FITS	
<b>CAM1-AL-10</b>	Almet cam, 10 pack	All mortise cylinders (except A32/AST/ASV/G23/G45)	
<b>CAM1-AR-10</b>	Adams Rite cam, 10 pack		
<b>CAM1-BE-10</b>	Best cam, 10 pack		
<b>CAM1-CL-10</b>	Corbin cam, 10 pack		
<b>CAM1-SA-10</b>	Sargent cam, 10 pack		
<b>CAM1-SL-10</b>	Schlage cam, 10 pack		
<b>CAM1-ST-10</b>	Yale cam, 10 pack		
<b>CAM1-TS-10</b>	Falcon/Saflok cam, 10 pack		
<b>CAM2-AL-10</b>	Almet cam, 10 pack		ICM6 housings
<b>CAM2-AR-10</b>	Adams Rite cam, 10 pack		
<b>CAM2-BE-10</b>	Best cam, 10 pack	ICT6 housings	
<b>CAM2-CL-10</b>	Corbin cam, 10 pack	ICT7 housings	
<b>CAM2-SA-10</b>	Sargent cam, 10 pack	CCM housings	
<b>CAM2-SL-10</b>	Schlage cam, 10 pack	SCM housings	
<b>CAM2-ST-10</b>	Yale cam, 10 pack		
<b>CAM2-TS-10</b>	Falcon/Saflok cam, 10 pack		
<b>CAM3-AR-10</b>	Adams Rite cam, 10 pack	ICS housings	
<b>CAM3-BE40-10</b>	Best 40H cam, 10 pack		
<b>CAM3-CL-10</b>	Corbin cam, 10 pack		
<b>CAM3-SA-10</b>	Sargent cam, 10 pack		
<b>CAM3-SL-10</b>	Schlage cam, 10 pack		
<b>CAM3-ST-10</b>	Yale cam, 10 pack		
<b>CAM3-TS-10</b>	Falcon/Saflok cam, 10 pack		
<b>CAM4-AR-10</b>	Adams Rite cam, 10 pack	Mortise Cylinders with A32/AST/ASV/G23/G45 keyways	
<b>CAM4-CL-10</b>	Corbin cam, 10 pack		
<b>CAM4-SA-10</b>	Sargent cam, 10 pack		
<b>CAM4-SL-10</b>	Schlage cam, 10 pack		
<b>CAM4-ST-10</b>	Yale cam, 10 pack		
<b>CAM4-TS-10</b>	Falcon/Saflok cam, 10 pack		



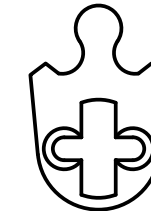
**CAM1-AL**



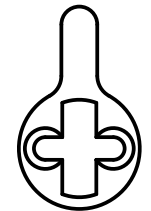
**CAM1-AR**



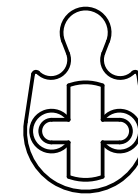
**CAM1-BE**



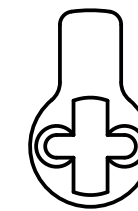
**CAM1-CL**



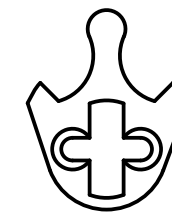
**CAM1-SA**



**CAM1-SL**



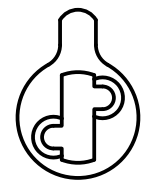
**CAM1-ST**



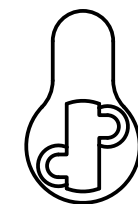
**CAM1-TS**



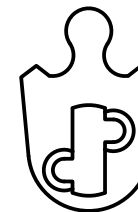
**CAM2-AL**



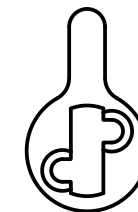
**CAM2-AR**



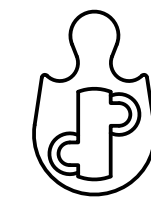
**CAM2-BE**



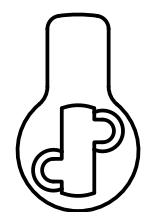
**CAM2-CL**



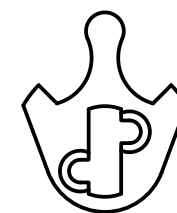
**CAM2-SA**



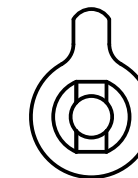
**CAM2-SL**



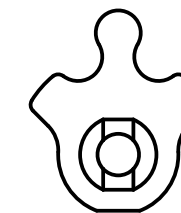
**CAM2-ST**



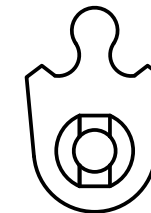
**CAM2-TS**



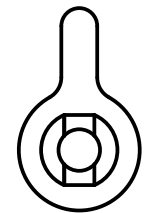
**CAM3-AR**



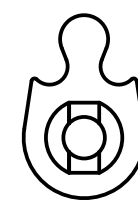
**CAM3-BE40**



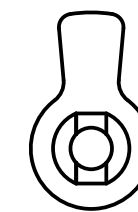
**CAM3-CL**



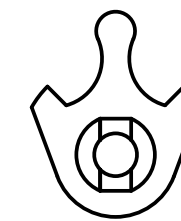
**CAM3-SA**



**CAM3-SL**



**CAM3-ST**



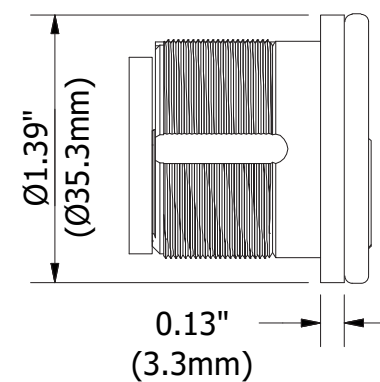
**CAM3-TS**

# MORTISE CYLINDER COLLARS/RINGS

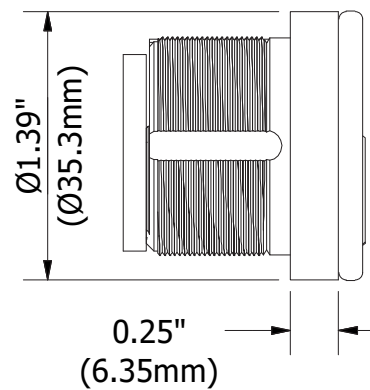
PART NUMBER	DESCRIPTION	FINISH
COL10-xxx*-10	1/8" standard spacer collar, solid brass, 10 pack	3 (Polished Brass)
COL11-xxx*-10	1/4" standard spacer collar, solid brass, 10 pack	10B (Oil Rubbed Bronze)
COL12-xxx*-10	3/8" standard spacer collar, solid brass, 10 pack	19 (Black)
COL13-xxx*-10	1/2" standard spacer collar, solid brass, 10 pack	26D (Satin Chrome)
COL14-xxx*-10	5/8" standard spacer collar, solid brass, 10 pack	
COL36-12-xxx*-10	1/8" Schlage style spacer collar, solid brass, 10 pack	
COL36-18-xxx*-10	3/16" Schlage style spacer collar, solid brass, 10 pack	
COL36-25-xxx*-10	1/4" Schlage style spacer collar, solid brass, 10 pack	
COL36-37-xxx*-10	3/8" Schlage style spacer collar, solid brass, 10 pack	
COL36-50-xxx*-10	1/2" Schlage style spacer collar, solid brass, 10 pack	
COL3-xxx*-10	Protective collar with spring washer, 10 pack	
COL6-xxx*	Hardened security collar with spring washer	
COL6L-xxx*	Extra length hardened security collar with spring washer	
COL5-10	1/8" threaded ring, solid brass	



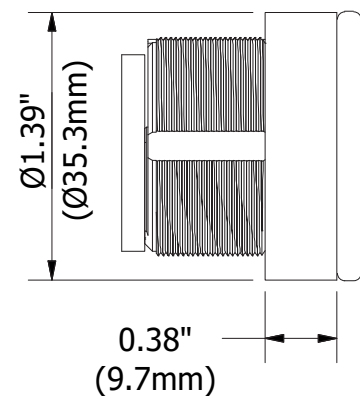
\*Specify finish



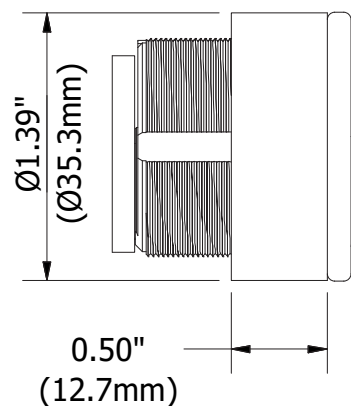
COL10



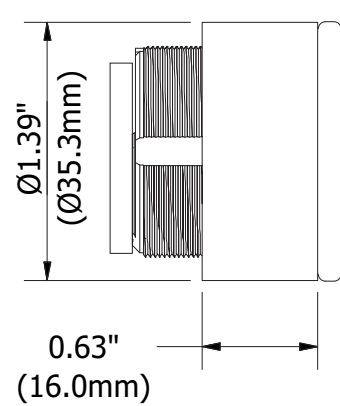
COL11



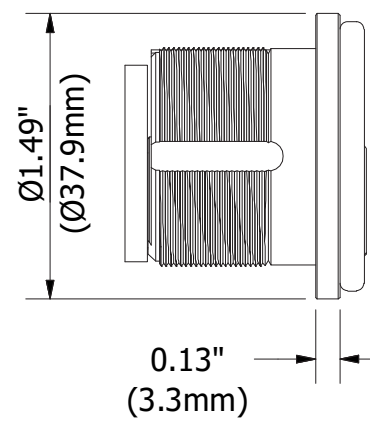
COL12



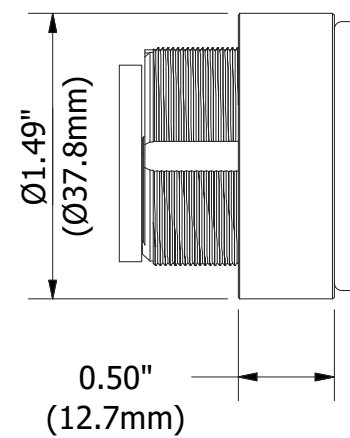
COL13



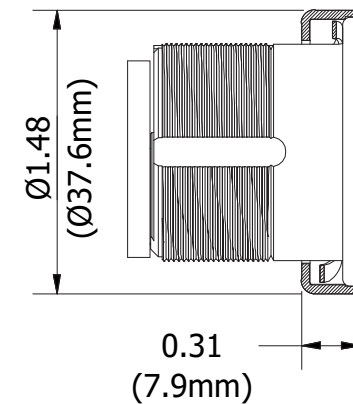
COL14



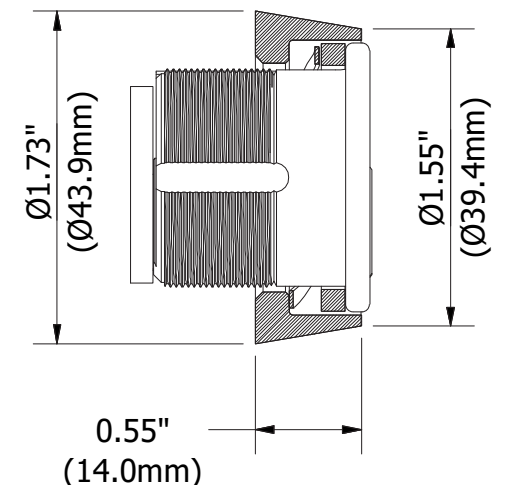
COL36-12



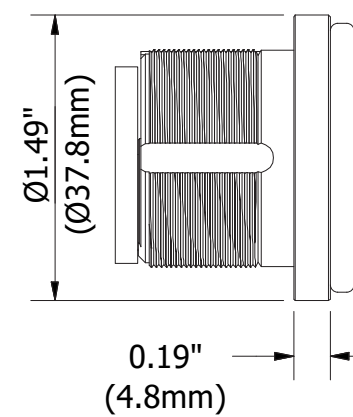
COL36-50



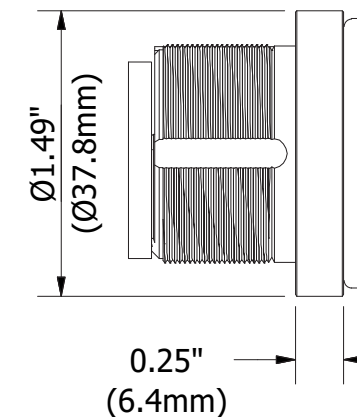
COL3



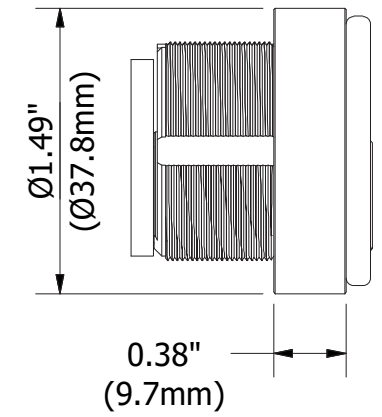
COL6



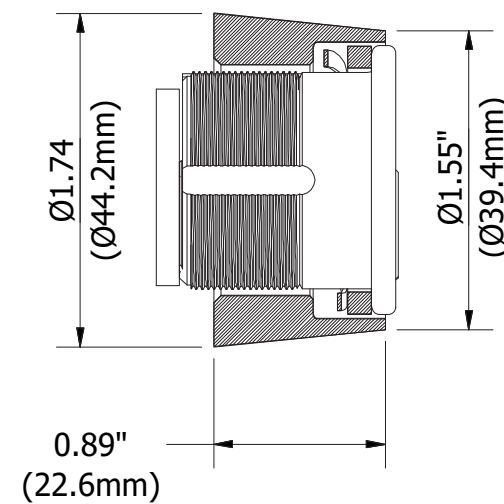
COL36-18



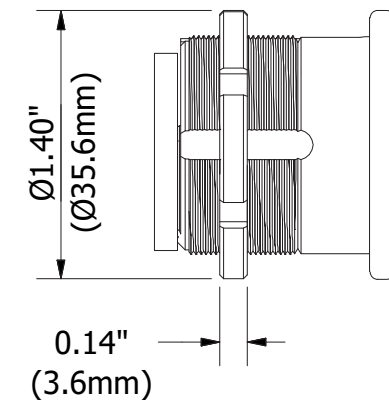
COL36-25



COL36-37



COL6L



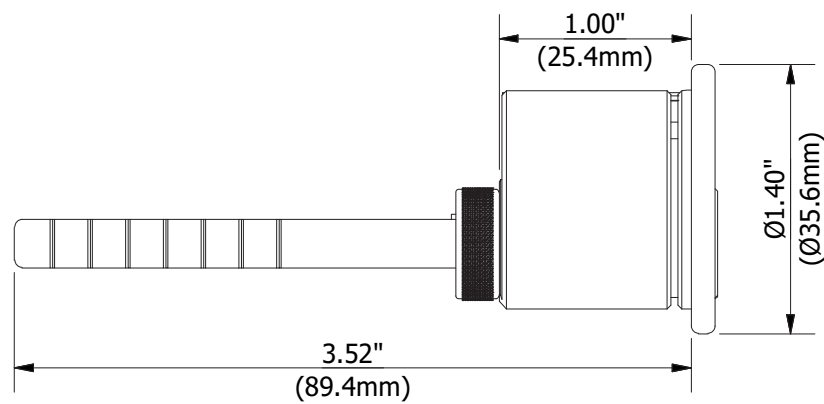
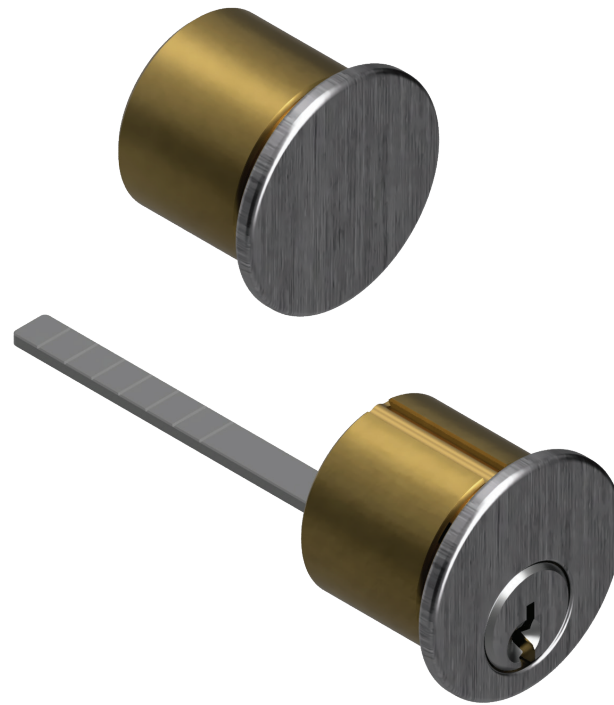
COL5



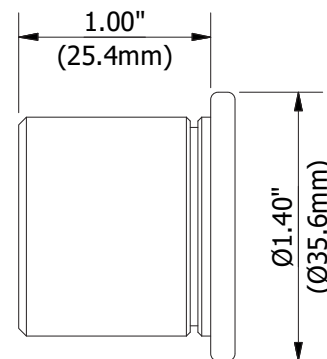
# RIM/RIM DUMMY CYLINDERS

- ▶ Solid brass construction
- ▶ Exact OEM pinning specifications
- ▶ Precision CNC machined
- ▶ Retaining cap design for easy pinning

MODEL	DESCRIPTION
<b>R118</b>	1-1/8" Rim cylinder
<b>R118D</b>	1-1/8" Rim dummy cylinder



**R118**



**R118D**

## HOW TO ORDER RIM/RIM DUMMY CYLINDERS

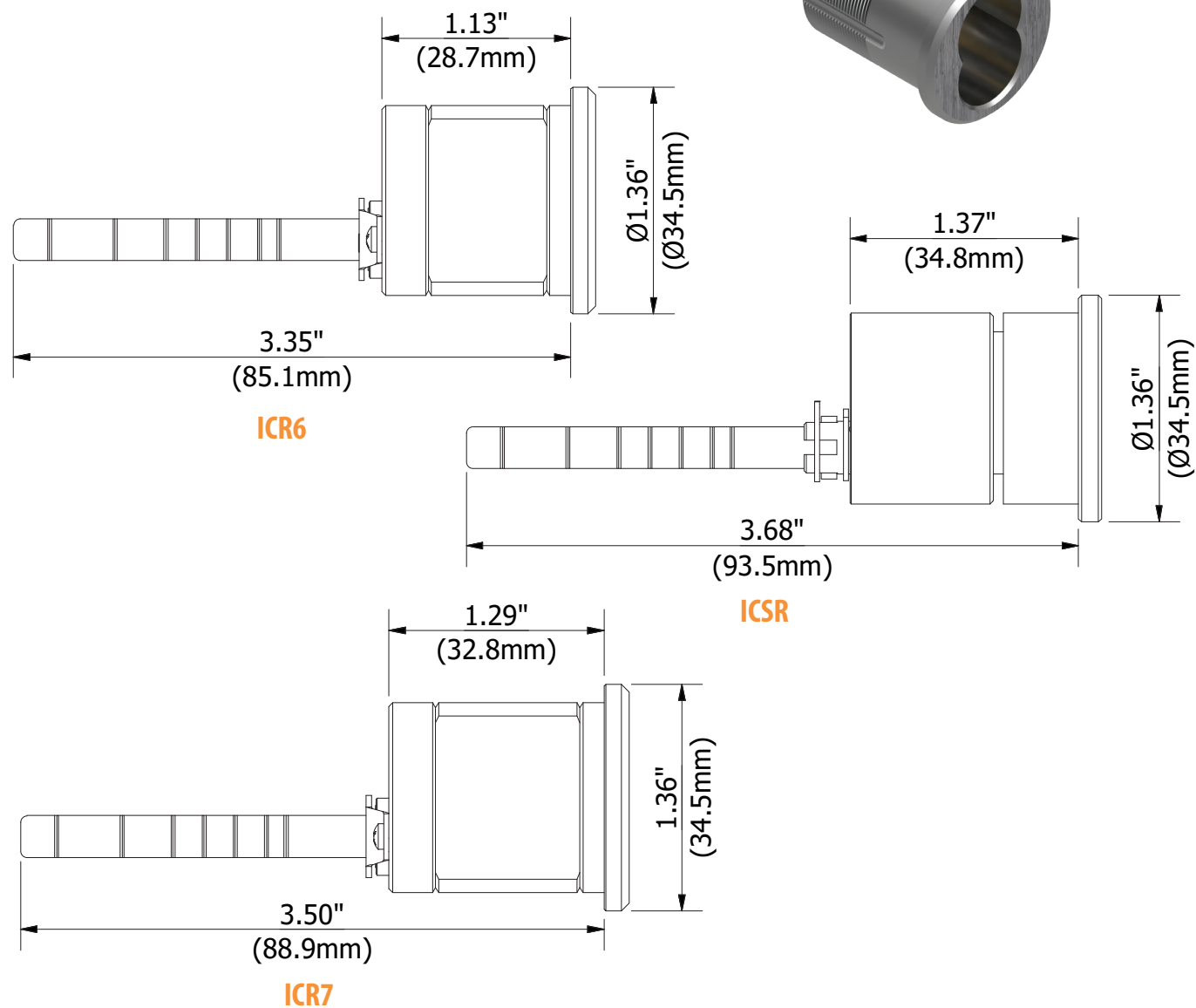
MODEL	KEYWAY	FINISH	KEYING
<b>R118</b>	<b>AW</b> (Arrow 1179)	<b>3</b> (Polished Brass)	<b>A2</b> (Keyed alike in pairs) <b>KD</b> (Keyed different) <b>OB</b> (Zero bitted) <i>Cylinders are drilled 6, pinned 5.</i>
	<b>CB</b> (Corbin 60)	<b>4</b> (Satin Brass)	
	<b>KW</b> (Kwikset 1176)	<b>10</b> (Satin Bronze)	
	<b>SC</b> (Schlage C)	<b>10B</b> (Oil Rubbed Bronze)	<b>A2-6</b> (Keyed alike in pairs) <b>KD-6</b> (Keyed different) <b>OB-6</b> (Zero bitted) <i>Cylinders are drilled 6, pinned 6.</i>
	<b>SE</b> (Segal 9)	<b>15</b> (Satin Nickel)	
	<b>SX</b> (Schlage C~K)	<b>19</b> (Black)	
	<b>WR</b> (Weiser E)	<b>26</b> (Polished Chrome)	
	<b>YA</b> (Yale 8)	<b>26D</b> (Satin Chrome)	<b>NK-6</b> <i>Cylinders are sub-assembled with follower, no keys.</i>
	<b>CL4</b> (Corbin L4)	<b>32D</b> (Stainless Steel)	
	<b>RD1</b> (Russwin D1)		
	<b>SA</b> (Sargent LA)		
	<b>SAX</b> (Sargent LA~LC)		
	<b>SLB</b> (Sargent LB)		
	<b>RA</b> (Sargent RA)		N/A
<b>SCE</b> (Schlage E)			
<b>SCF</b> (Schlage F)			
<b>YGA</b> (Yale GA)			
<b>A62</b> (Assa A62)			
<b>AST</b> (Assa Twin 6000)			
<b>ASV</b> (Assa V10)			
<b>G23</b> (Schlage C123)			
<b>G45</b> (Schlage C145)			
<b>R118D</b>	N/A		N/A

**EXAMPLES** R118KW10BA2  
R118G2326DNK-6  
R118D26D

# IC RIM HOUSINGS

- ▶ Solid brass construction
- ▶ Exact OEM dimensions
- ▶ Precision CNC machined

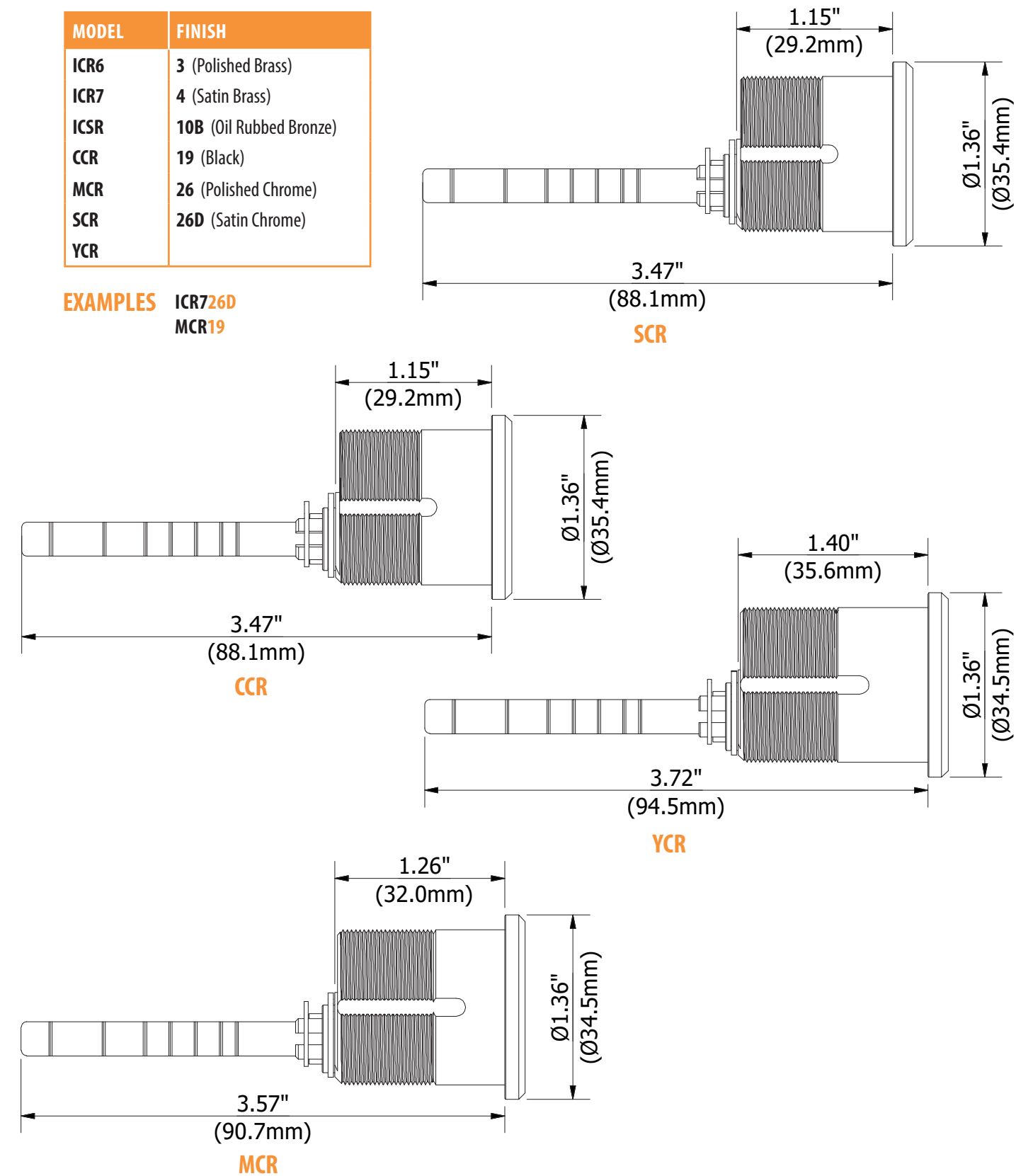
MODEL	DESCRIPTION
ICR6	Best small format, straight rim housing, 6 pin
ICR7	Best small format, straight rim housing, 7 pin
ICSR	Schlage large format, rim housing
CCR	Corbin large format, rim housing
MCR	Medeco large format, rim housing
SCR	Sargent large format, rim housing
YCR	Yale large format, rim housing



## HOW TO ORDER IC RIM HOUSINGS

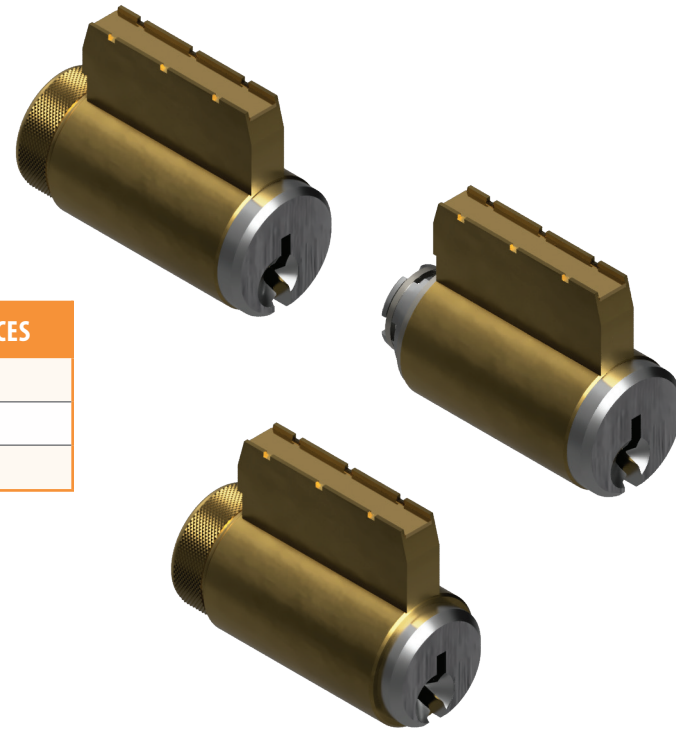
MODEL	FINISH
ICR6	3 (Polished Brass)
ICR7	4 (Satin Brass)
ICSR	10B (Oil Rubbed Bronze)
CCR	19 (Black)
MCR	26 (Polished Chrome)
SCR	26D (Satin Chrome)
YCR	

EXAMPLES ICR726D  
MCR19

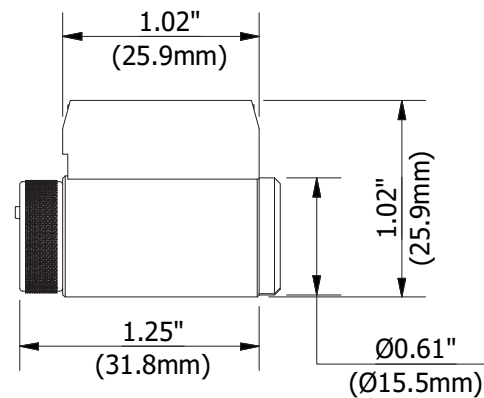


# KNOB/LEVER CYLINDERS

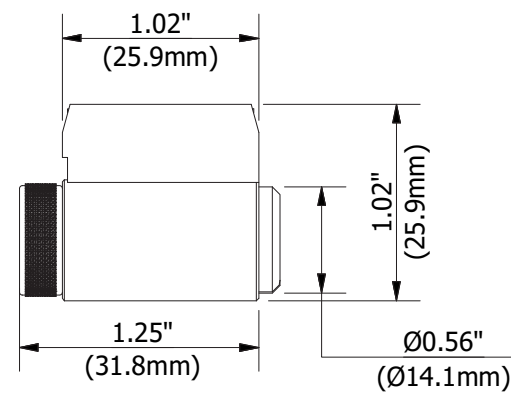
- ▶ Solid brass construction
- ▶ Exact OEM pinning specifications
- ▶ Fits most knob and lever locksets
- ▶ Multiple tailpieces included



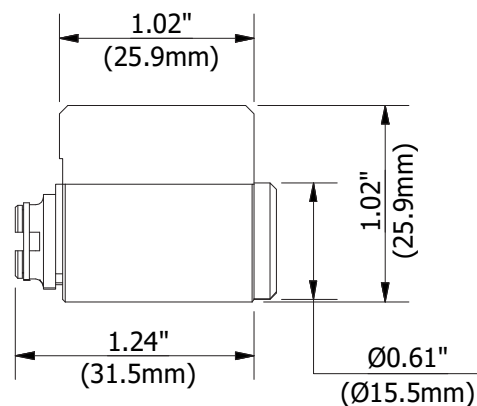
MODEL	DESCRIPTION	TAILPIECES
<b>K001</b>	Fits Schlage knobs, levers and deadbolts	5 pcs
<b>K002</b>	Fits Arrow knobs and levers	3 pcs
<b>K003</b>	Fits Sargent levers	3 pcs



**K001**



**K003**



**K002**

## HOW TO ORDER KNOB/LEVER CYLINDERS

MODEL	KEYWAY	FINISH	KEYING
<b>K001</b>	<b>AW</b> (Arrow 1179)	<b>4</b> (Satin Brass) <b>19*</b> (Black) <b>26D</b> (Satin Chrome)	<b>A2</b> (Keyed alike in pairs) <b>KD</b> (Keyed different) <b>OB</b> (Zero bitted) <i>Cylinders are drilled 6, pinned 5.</i>
	<b>CB</b> (Corbin 60)		
	<b>KW</b> (Kwikset 1176)		
	<b>SC</b> (Schlage C)		
	<b>SE</b> (Segal 9)		
	<b>SX</b> (Schlage C~K)		
	<b>WR</b> (Weiser E)		
	<b>YA</b> (Yale 8)		
	<b>CL4</b> (Corbin L4)		
	<b>RD1</b> (Russwin D1)		
	<b>SA</b> (Sargent LA)		
	<b>SAX</b> (Sargent LA~LC)		
	<b>SLB</b> (Sargent LB)		
	<b>RA</b> (Sargent RA)		
<b>SCE</b> (Schlage E)			
<b>SCF</b> (Schlage F)			
<b>YGA</b> (Yale GA)			
<b>K002</b>	<b>A62</b> (Assa A62)	<b>NK-6</b> <i>Cylinders are sub-assembled with follower, no keys.</i>	
	<b>AST</b> (Assa Twin 6000)		
	<b>ASV</b> (Assa V10)		
	<b>G23</b> (Schlage C123)		
	<b>G45</b> (Schlage C145)		
	<b>AW</b> (Arrow 1179)		
<b>K003</b>	<b>SA</b> (Sargent LA)	<b>A2</b> (Keyed alike in pairs) <b>KD</b> (Keyed different) <b>OB</b> (Zero bitted)	
	<b>SC</b> (Schlage C)		

\* Available in Schlage keyways

**EXAMPLES** **K001SC26DA2**  
**K001G2326DNK-6**  
**K002AW4A2**

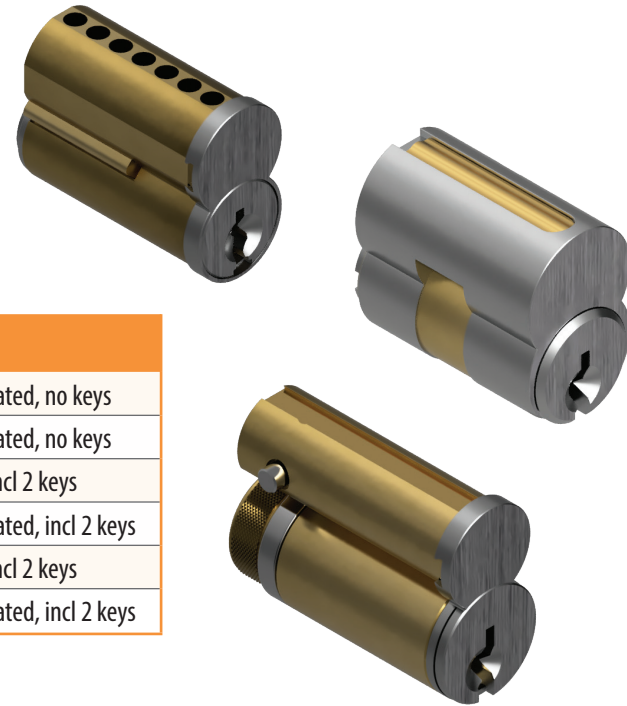
### Yale Conversion Kit

PART NUMBER	DESCRIPTION
<b>KIT-K001YA</b>	Converts K001* to fit Yale levers

\*K001 cylinder not included

# IC CORES

- ▶ Solid brass construction
- ▶ Exact OEM pinning specifications
- ▶ Precision CNC machined
- ▶ 5 popular industry formats



MODEL	DESCRIPTION	KEYING
IC6	Best small format core, 6 pin	Uncombined, no keys
IC7	Best small format core, 7 pin	Uncombined, no keys
LFIC	Schlage large format core, 6 pin	1-bitted, incl 2 keys
SIC	Sargent large format core, 6 pin	Uncombined, incl 2 keys
CIC	Corbin large format core, 6 pin	0-bitted, incl 2 keys
MIC	Medeco large format core, Schlage keyway, 6 pin*	Uncombined, incl 2 keys

\*Use with KIT-PIN03 pinning kit.

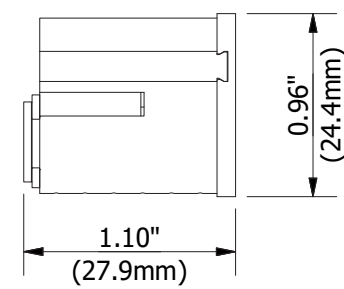
## HOW TO ORDER IC CORES

MODEL	KEYWAY	FINISH	KEYING		
IC6	A (Best A)	4 (Satin Brass)	N/A		
IC7	B (Best B)	19 (Black)			
	C (Best C)	26D (Satin Chrome)			
	D (Best D)				
	E (Best E)				
	F (Best F)				
	G (Best G)				
	H (Best H)				
	IC7	TA (Best TA)		WA (Best WA)	
TB (Best TB)		WB (Best WB)			
TC (Best TC)		WC (Best WC)			
TD (Best TD)		WD (Best WD)			
TE (Best TE)		WG (Best WG)			
		WH (Best WH)			
LFIC		SC (Schlage C)	4 (Satin Brass) 26D (Satin Chrome)	B1 (1-bitted)	
		SCE (Schlage E)			
	SCF (Schlage F)				
	SX (Schlage C~K)				
	G23 (Schlage C123)				
	G45 (Schlage C145)				
SIC	SA (Sargent LA)	4 (Satin Brass) 26D (Satin Chrome)	N/A		
	SAX (Sargent LA~LC)				
	SLB (Sargent LB)				
	RA (Sargent RA)				
CIC	CL4 (Corbin L4)	26D (Satin Chrome)			
MIC	SC (Schlage C)				

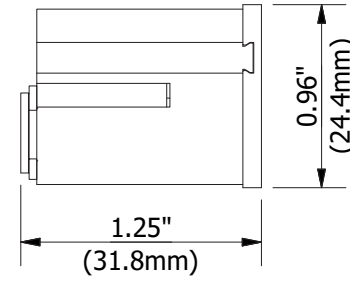
**EXAMPLES** IC7A26D  
LFICSCF4B1  
SICSA26D  
CICCLR4  
MICSC26D

### MIC Pinning Kit

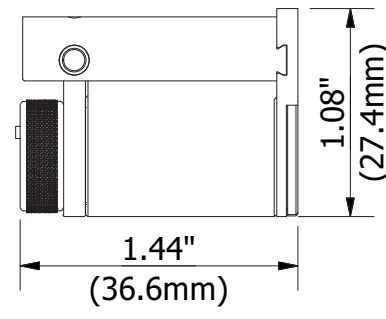
PART NUMBER	DESCRIPTION
KIT-PIN03	MIC pinning kit



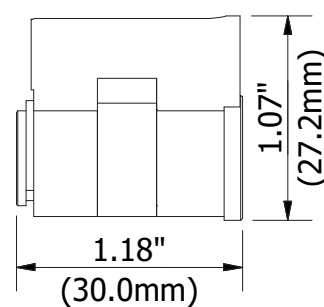
IC6



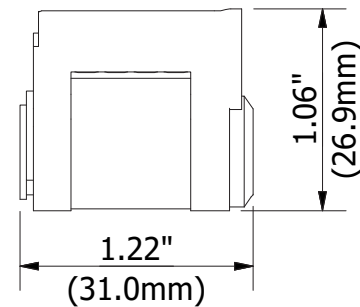
IC7



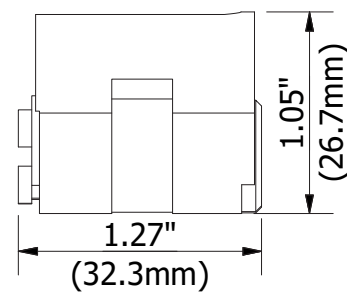
LFC



SIC



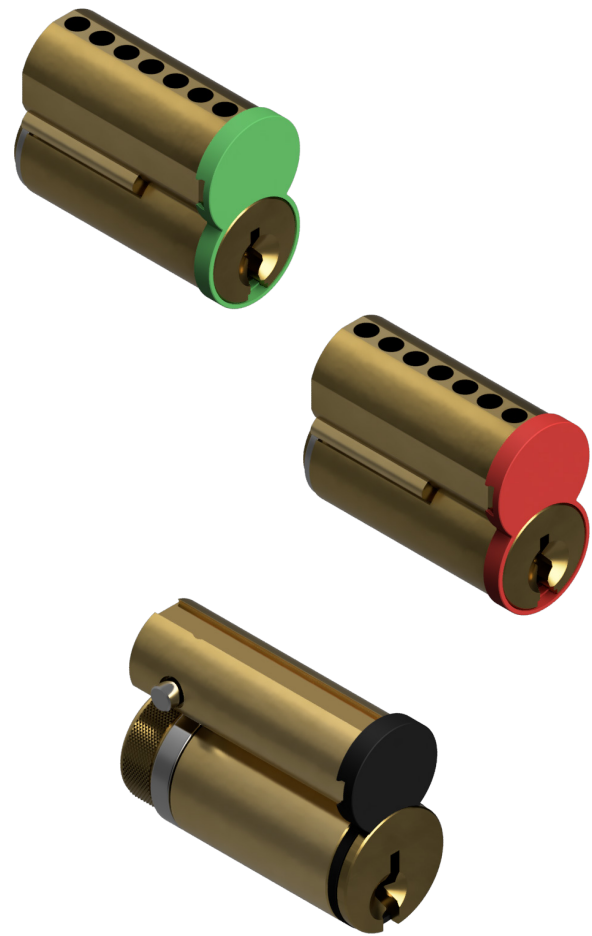
CIC



MIC

- ▶ Color coded for easy identification
- ▶ Economic alternative to originals
- ▶ Matches original manufacturers' codes

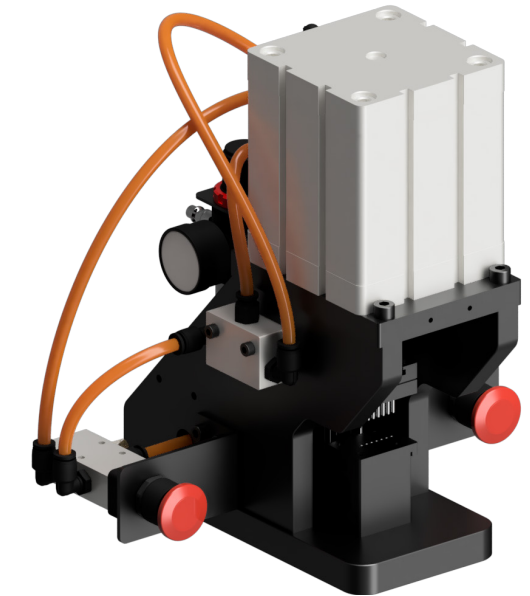
PART NUMBER	DESCRIPTION	BITTING
IC6A4K5	Green paint	7****2
IC6A4K6	Red paint	1****6
IC7A4K7	Green paint	7*****2
IC7A4K8	Red paint	1*****4
LFIC19-A	US19 finish	4****3
LFIC19-B	US19 finish	5****8
LFIC19-C	US19 finish	3****4
SICSA26D-A	US26D finish	3****6
CICCL426D-RED	Red paint	1****4
MICSC19-C	US19 finish	3****4



## Corematic

- ▶ Industry first pneumatic capping press
- ▶ Designed for Small Format IC cores
- ▶ Two-handed operation for safety

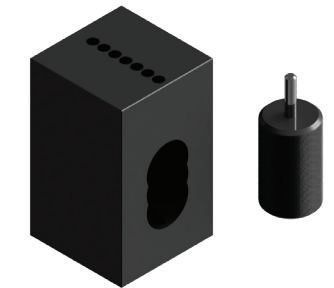
PART NUMBER	DESCRIPTION
CMT-01	Corematic, 0.140" spacing
CMT-02	Corematic, 0.150" spacing
CMT-A01	Capping assembly only, 0.140" spacing
CMT-A02	Capping assembly only, 0.150" spacing
CMT-S01	Capping strip only, 0.140" spacing
CMT-S02	Capping strip only, 0.150" spacing



## Capping Blocks

- ▶ Precision CNC machined
- ▶ Hardened for durability
- ▶ Compatible with SFIC format

PART NUMBER	DESCRIPTION
CB-02	Capping block w/punch for Best IC core
CB-PUNCH-01	Punch only for CB-02



## Pinning Mats

- ▶ Anti-slip provides ideal workspace for pinning
- ▶ Designed with cavities to hold pins, springs and cylinders
- ▶ High quality rubber construction

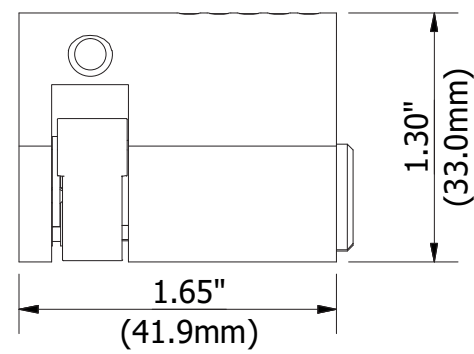
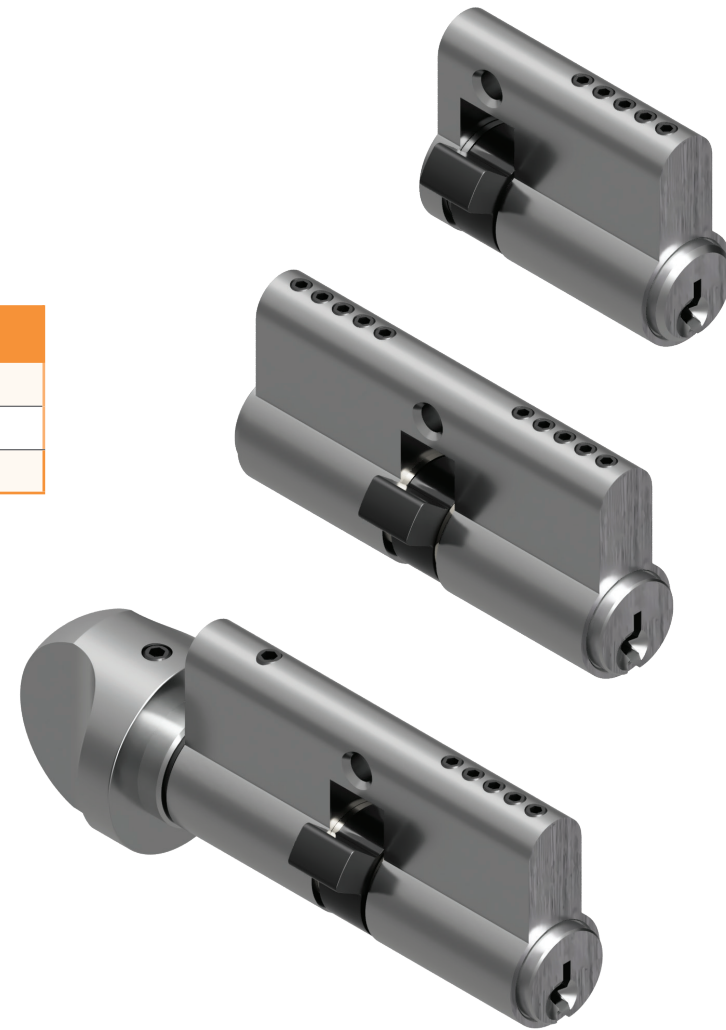
PART NUMBER	DESCRIPTION
KIT-PINMAT	GMS pinning mat, 21" x 11"



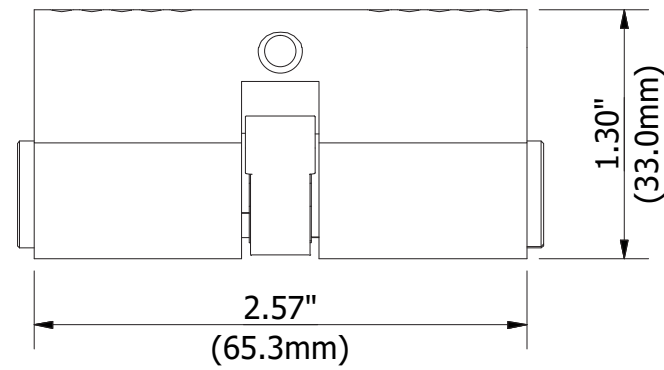
# PROFILE CYLINDERS

- ▶ Solid brass construction
- ▶ Exact OEM pinning specifications
- ▶ Set-screw design for easy pinning
- ▶ 3 configurations

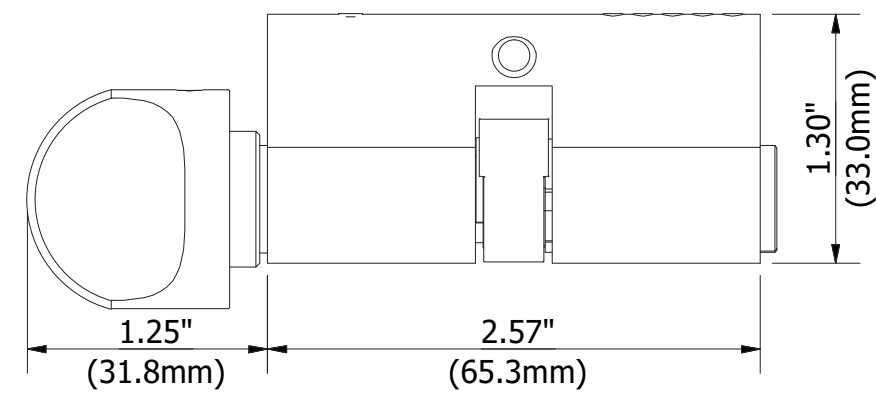
MODEL	DESCRIPTION
PR10	Single profile cylinder, 5 pin
PR11	Double profile cylinder, 5 pin
PR12	Double profile cylinder with t-turn, 5 pin



PR10



PR11



PR12

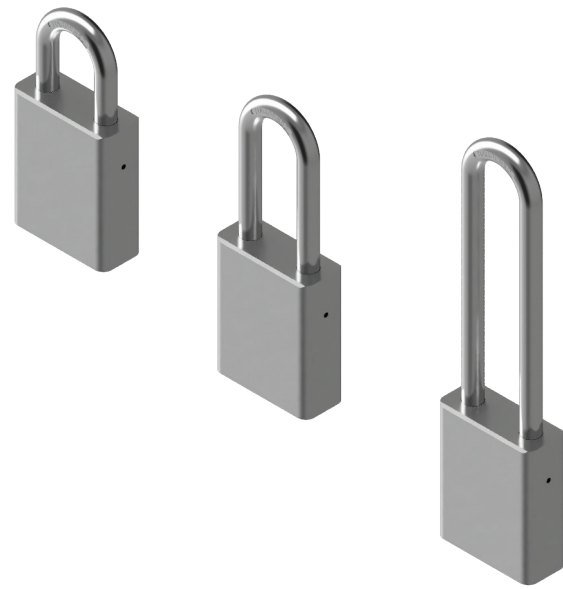
## HOW TO ORDER PROFILE CYLINDERS

MODEL	KEYWAY	FINISH	KEYING
PR10	KW (Kwikset 1176)	3 (Polished Brass)	KD (Keyed different)
PR11	SC (Schlage C)	4 (Satin Brass)	
PR12	YA (Yale 8)	26D (Satin Chrome)	

EXAMPLES PR11SC3KD

# PADLOCKS

- ▶ Solid brass body construction
- ▶ Hardened shackles
- ▶ Double ball locking
- ▶ 3 shackle lengths available



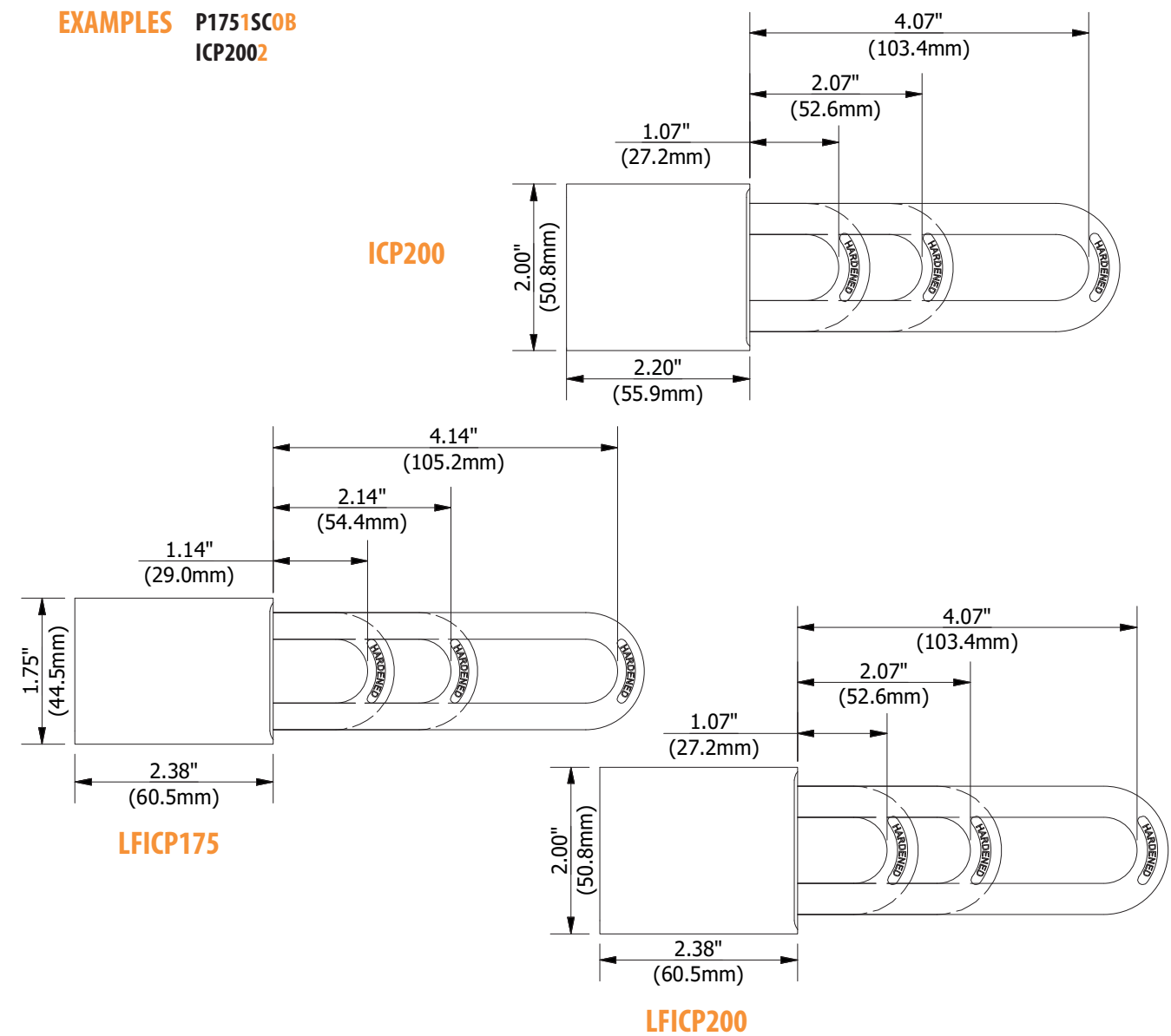
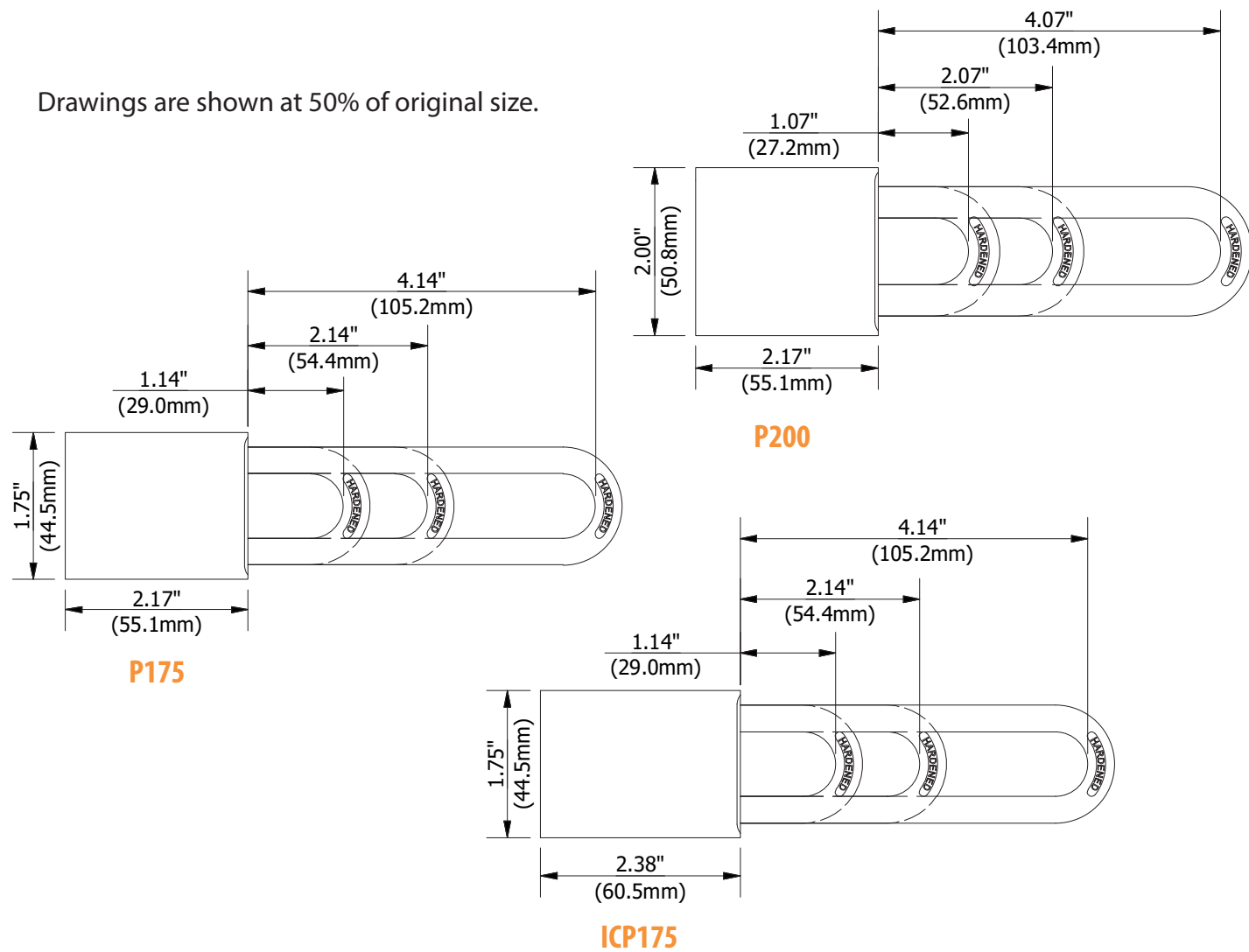
MODEL	DESCRIPTION	ACCEPTS
P175	1-3/4" body width, 5/16" shackle dia.	K001
P200	2" body width, 3/8" shackle dia.	
ICP175	1-3/4" body width, 5/16" shackle dia.	IC6/IC7
ICP200	2" body width, 3/8" shackle dia.	
LFICP175	1-3/4" body width, 5/16" shackle dia.	LFIC
LFICP200	2" body width, 3/8" shackle dia.	

## HOW TO ORDER PADLOCKS

MODEL	SHACKLE CLEARANCE	KEYWAY	KEYING
P175 P200	1 (1") 2 (2") 4 (4")	SC (Schlage C) SX (Schlage C~K) KW (Kwikset 1176) WR (Weiser E)	OB (Zero bitted) <i>Cylinders are drilled 6, pinned 5.</i>
ICP175 ICP200 LFICP175 LFICP200		N/A	N/A

EXAMPLES P1751SC0B  
ICP2002

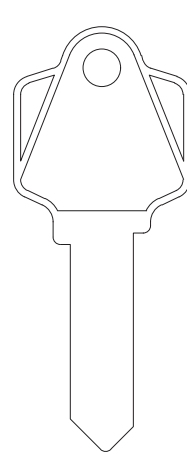
Drawings are shown at 50% of original size.



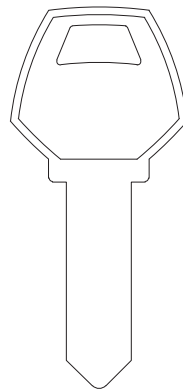
# KEY BLANKS

- ▶ High quality brass or nickel silver material
- ▶ Precision milled, matching OEM quality
- ▶ Available in most popular standard or SFIC keyways

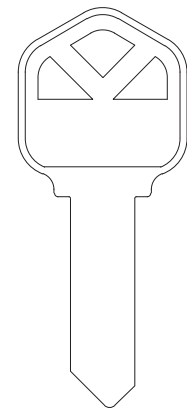
PART NUMBER	DESCRIPTION
KB5AWPB-50	Brass keys, Arrow 1179, 5 pin, 50 pack
KB5CBPB-50	Brass keys, Corbin 60, 5 pin, 50 pack
KB6CL4PB-50	Brass keys, Corbin L4, 6 pin, 50 pack
KB6RD1PB-50	Brass keys, Russwin D1, 6 pin, 50 pack
KB5KWPB-50	Brass keys, Kwikset 1176, 5 pin, 50 pack
KB6SAPB-50	Brass keys, Sargent LA, 6 pin, 50 pack
KB6SLBPB-50	Brass keys, Sargent LB, 6 pin, 50 pack
KB6RAPB-50	Brass keys, Sargent RA, 6 pin, 50 pack
KB5SCP-50	Brass keys, Schlage C, 5 pin, 50 pack
KB6SCEPB-50	Brass keys, Schlage E, 6 pin, 50 pack
KB6SCFPB-50	Brass keys, Schlage F, 6 pin, 50 pack
KB5SEPB-50	Brass keys, Segal 9, 5 pin, 50 pack
KB5WRPB-50	Brass keys, Weiser E, 5 pin, 50 pack
KB5YAPB-50	Brass keys, Yale 8, 5 pin, 50 pack
KB6YGAPB-50	Brass keys, Yale GA, 6 pin, 50 pack



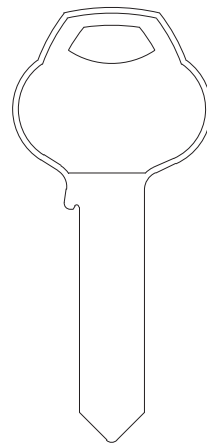
Arrow



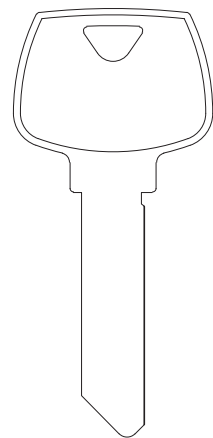
Corbin



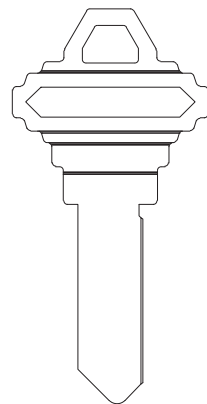
Kwikset



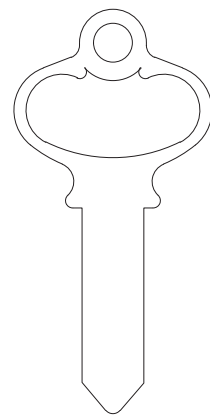
Russwin



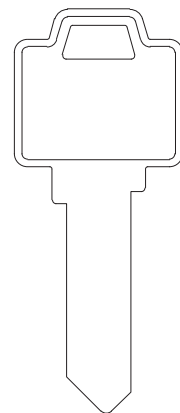
Sargent



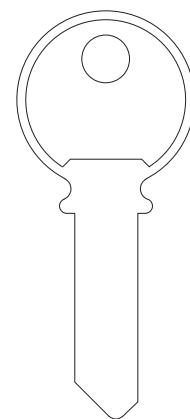
Schlage



Segal



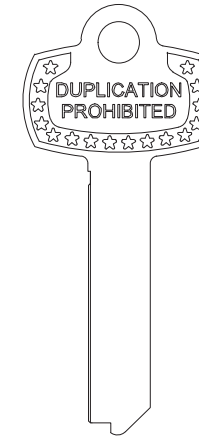
Weiser



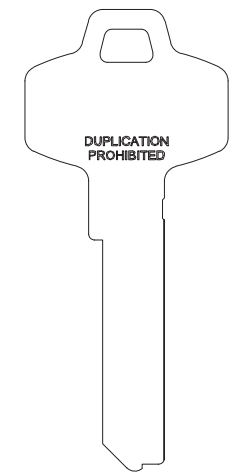
Yale

# KEY BLANKS

PART NUMBER	DESCRIPTION
KBBA-50	Nickel silver keys, Best A, 50 pack
KBBB-50	Nickel silver keys, Best B, 50 pack
KBBC-50	Nickel silver keys, Best C, 50 pack
KBBD-50	Nickel silver keys, Best D, 50 pack
KBBDD-50	Nickel silver keys, Best DD, 50 pack
KBBE-50	Nickel silver keys, Best E, 50 pack
KBBF-50	Nickel silver keys, Best F, 50 pack
KBBG-50	Nickel silver keys, Best G, 50 pack
KBBH-50	Nickel silver keys, Best H, 50 pack
KBBJ-50	Nickel silver keys, Best J, 50 pack
KBBK-50	Nickel silver keys, Best K, 50 pack
KBBL-50	Nickel silver keys, Best L, 50 pack
KBBM-50	Nickel silver keys, Best M, 50 pack
KBBQ-50	Nickel silver keys, Best Q, 50 pack
KBBR-50	Nickel silver keys, Best R, 50 pack
KBBTA-50	Nickel silver keys, Best TA, 50 pack
KBBTB-50	Nickel silver keys, Best TB, 50 pack
KBBTC-50	Nickel silver keys, Best TC, 50 pack
KBBTD-50	Nickel silver keys, Best TD, 50 pack
KBBTE-50	Nickel silver keys, Best TE, 50 pack
KBBWA-50	Nickel silver keys, Best WA, 50 pack
KBBWB-50	Nickel silver keys, Best WB, 50 pack
KBBWC-50	Nickel silver keys, Best WC, 50 pack
KBBWD-50	Nickel silver keys, Best WD, 50 pack
KBBWG-50	Nickel silver keys, Best WG, 50 pack
KBBWH-50	Nickel silver keys, Best WH, 50 pack



Best



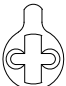
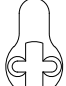

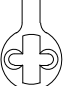







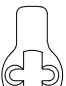

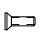
Best














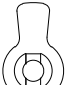

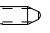

## Parts Kits

PART NUMBER	DESCRIPTION
<b>KIT-PART01</b>	Mortise cylinder cam kit
<b>KIT-PART02</b>	IC mortise housing cam kit
<b>KIT-PART03</b>	Rim cylinder parts kit
<b>KIT-PART04</b>	Collars kit










### KIT-PART01

 CAM1-AR Quantity: 10 pcs	 CAM1-BE Quantity: 10 pcs	 CAM1-CL Quantity: 10 pcs	 CAM1-SA Quantity: 10 pcs	 CAM1-SL Quantity: 10 pcs	 CAM1-ST Quantity: 10 pcs
 CAM1-TS Quantity: 10 pcs	 CAM4-AR Quantity: 10 pcs	 CAM4-CL Quantity: 10 pcs	 CAM4-SA Quantity: 10 pcs	 CAM4-SL Quantity: 10 pcs	 CAM4-ST Quantity: 10 pcs
 CAM4-TS Quantity: 10 pcs	 SCR-01 Quantity: 100 pcs	Intentionally Empty			

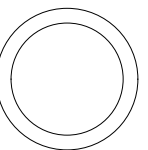
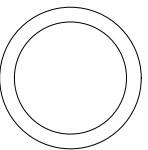
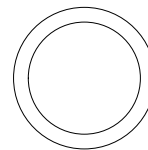
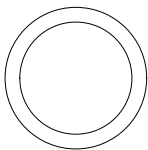
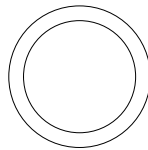
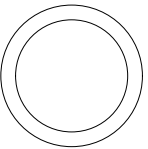
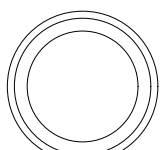
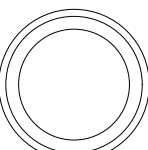
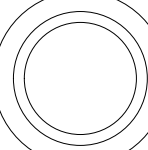
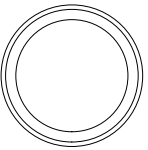
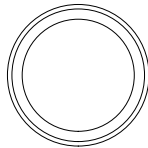
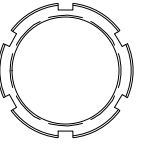
### KIT-PART02

 CAM2-AR Quantity: 10 pcs	 CAM2-BE Quantity: 10 pcs	 CAM2-CL Quantity: 10 pcs	 CAM2-SA Quantity: 10 pcs	 CAM2-SL Quantity: 10 pcs	 CAM2-ST Quantity: 10 pcs
 CAM2-TS Quantity: 10 pcs	 CAM3-AR Quantity: 10 pcs	 CAM3-CL Quantity: 10 pcs	 CAM4-SA Quantity: 10 pcs	 CAM3-SL Quantity: 10 pcs	 CAM3-ST Quantity: 10 pcs
 SCR-03 Quantity: 100 p	 SCR-04 Quantity: 100 pcs	 IC-SP1 Quantity: 100 pcs			

### KIT-PART03

 MPT-01 Quantity: 10 pcs	 SCR-02 Quantity: 10 pcs	 CAP-60 Quantity: 10 pcs	 COL4-26D Quantity: 5 pcs	 RPIN-01 Quantity: 10 pcs	Intentionally Empty
 TLP-04 Quantity: 10 pcs	 COL4-3 Quantity: 5 pcs	 COL4-10B Quantity: 5 pcs	Intentionally Empty	 SPR-06 Quantity: 10 pcs	
				Intentionally Empty	

### KIT-PART04

 COL10-10B Quantity: 5 pcs	 COL10-26D Quantity: 5 pcs	 COL11-10B Quantity: 5 pcs	 COL11-26D Quantity: 5 pcs	 COL12-26D Quantity: 5 pcs	 COL13-26D Quantity: 5 pcs
 COL2-26D Quantity: 5 pcs	 COL2-10B Quantity: 5 pcs	 COL4-26D Quantity: 5 pcs	 COL3-10B Quantity: 5 pcs	 COL3-26D Quantity: 5 pcs	
 COL5 Quantity: 5 pcs	Intentionally Empty				

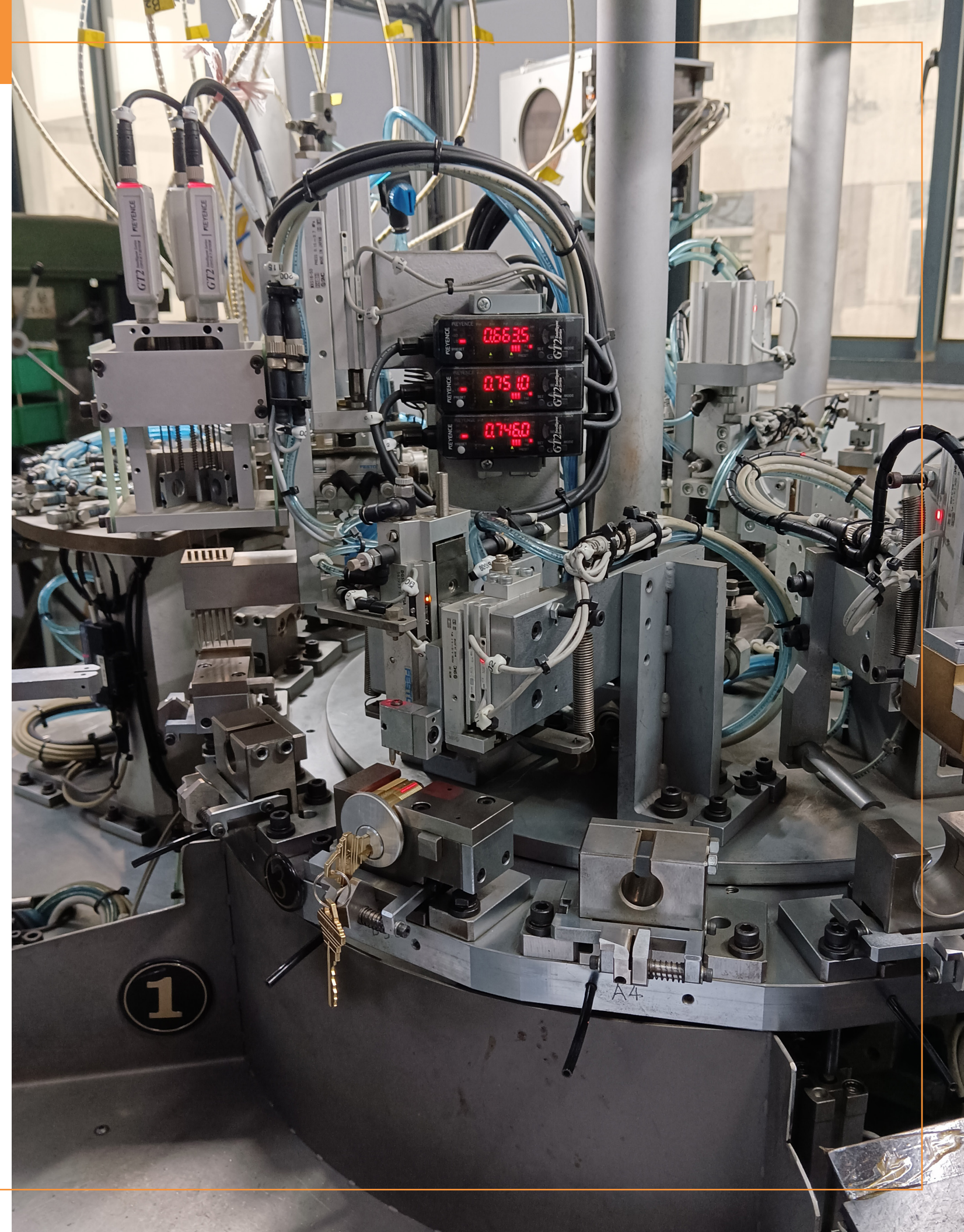
# PARTS & ACCESSORIES

## Knob/Lever Cylinder Tailpieces

PART NUMBER	DESCRIPTION	FITS
TLP-01-10	Knob/Lever fixed tailpiece, 1.13" length, 10 pack	K001
TLP-02-10	Knob/Lever fixed tailpiece, 0.91" length, 10 pack	K003
TLP-03-10	Knob/Lever fixed tailpiece, 0.68" length, 10 pack	
TLP-08-10	Knob/Lever fixed tailpiece, 0.98" length, 10 pack	
TLP-05-10	Deadbolt single tailpiece, 10 pack	
TLP-06-10	Deadbolt double tailpiece, 10 pack	
TLP-04-10	Rim cylinder breakoff tailpiece, 10 pack	R118
TLP-07-10	IC Rim housing breakoff tailpiece, 10 pack	ICR
TLP-09-10	IC Rim housing breakoff tailpiece, 10 pack	ICSR

## Replacement Parts

PART NUMBER	DESCRIPTION	FITS
CAP-60-10	Retaining cap, 6mm, 10 pack	K001
CAP-70-10	Retaining cap, 7mm, 10 pack	K003
SPR-06-10	Retaining cap pin spring, 10 pack	LFIC
RPIN-01-10	Retaining cap pin, 10 pack	K001 K003
RPIN-02-10	Retaining cap pin, 10 pack	LFIC
IC-SP1-10	Spacer, allows 6pin core in 7pin housing, 10 pack	ICM7 ICT7
SCR-04-10	IC mortise housing security screws, 10 pack	CAM1 CAM4
DRV-RT-10	Padlock key retaining driver, 10 pack	P175
KIT-LUG26D	Padlock retainer lug and driver for knob/lever cylinders	P200
SPR-05-10	Cylinder spring washer, 10 pack	All mortise cylinders All mortise t-turn cylinders All mortise dummy cylinders All IC mortise housings
MPT-01-10	Rim cylinder mounting plate, 10 pack	All rim cylinders
SCR-02-10	Rim cylinder mounting screws, 10 pack	All rim dummy cylinders All IC rim housings
SCR-01-10	Mortise cam screws, #3-48, nylon patched, 10 pack	CAM1 CAM4
SCR-03-10	Mortise cam screws, #3-48, nylon patched, short, 10 pack	CAM2
SCR-05-10	Mort cam/padlock cyl screws, #6-32, nylon patched, 10 pack	CAM3 P175 P200



# A PERFECT FIT



**UNITED STATES**  
6805 S 220th Street  
Kent, WA 98032

**CANADA**  
170 - 12860 Clarke Place  
Richmond, BC V6V 2H1

**877 704-5625**

[GMSLOCK.COM](http://GMSLOCK.COM)