





## Table of Contents

### Card Readers

DK Prox Card Readers .....	4
DK ProxPlus Card Readers .....	6
HID Card Readers.....	8
AWID Card Readers .....	10
ID-Teck Card Readers .....	12

### Keypads

Digital Key Pads .....	14
------------------------	----

### RF Controls

MicroPlus RF Controls .....	16
MicroClik RF Controls .....	18

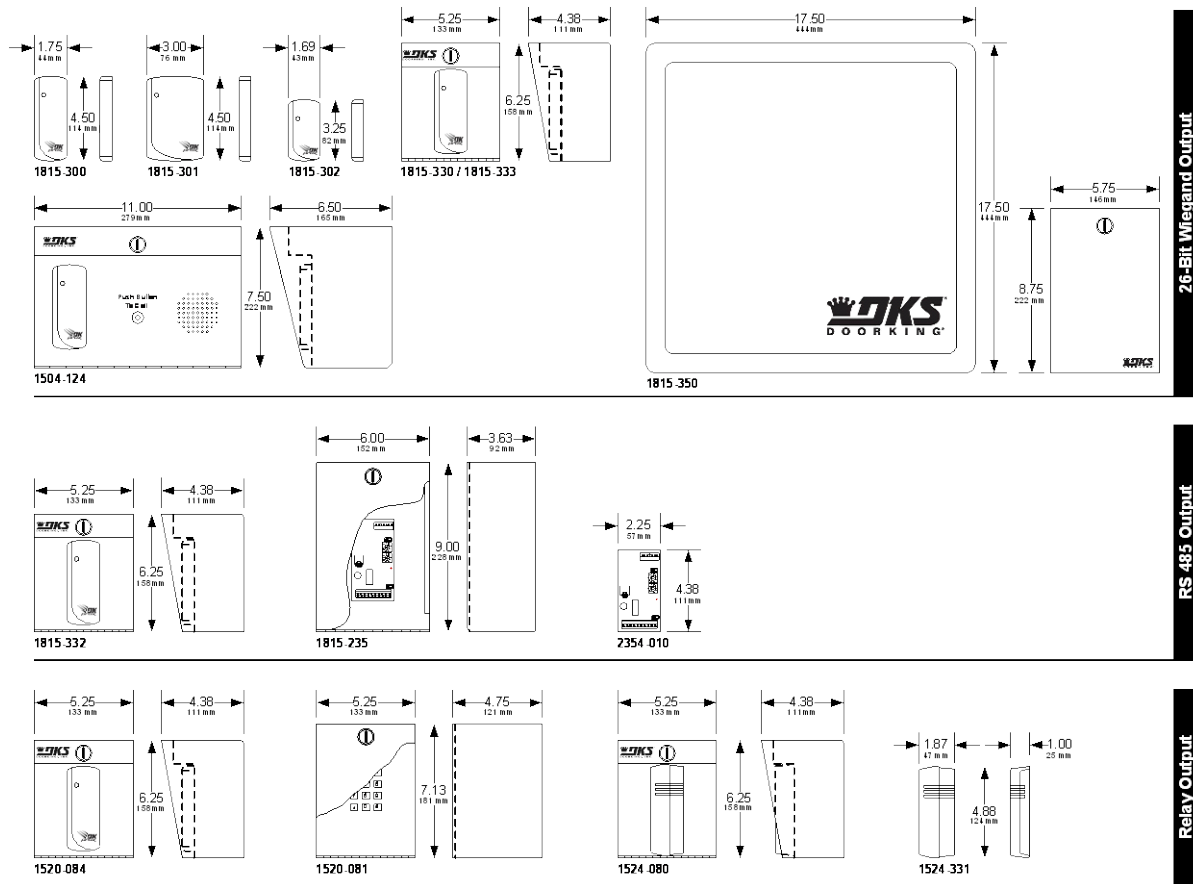
### Miscellaneous Controls

Key Switches .....	20
Exit Push Buttons.....	21
Postal & Fire Department Lock Boxes .....	22

### Door and Gate Locks

1200 Lb. Magnetic Door Locks .....	24
600 Lb. Magnetic Door Locks .....	25
300 Lb. Mini-locks, 2000 Lb. Shear Lock.....	26
1200 Lb, 600 Lb. Magnetic gate Locks .....	27
Electric Dead-bolts and Door Strikes .....	28
Magnetic Door Backup Power Supplies.....	29

## DK Prox Card Readers



<b>26-Bit Wiegand Output</b>	
1815-300 Up to 3-inch range .....	166.00
1815-301 Up to 4-inch range .....	166.00
1815-302 Up to 2-inch range .....	166.00
1815-330 (1815-300 reader w/enclosure) .....	312.00
1815-333 (1815-330 w/expansion board) .....	1,016.00
1504-124 (1815-300 w/intercom substation) .....	746.00
<b>26-Bit Wiegand Output - Automatic Vehicle ID System</b>	
1815-350 Up to 25-foot range .....	3,584.00
<b>RS-485 Output (ACCESS PLUS ONLY)</b>	
1815-332 Up to 3-inch range .....	528.00
1815-235 (2354-010 w/enclosure) .....	384.00
2354-010 (26-Bit Wiegand to RS-485 converter) .....	220.00

<b>Relay Output (Stand Alone)</b>	
1520-084 .....	952.00
1520-081 Controller only .....	878.00
<ul style="list-style-type: none"> <li>1520 reader/controller can store up to 1000 card codes</li> <li>3600 event history buffer</li> <li>Built-in programming keypad</li> <li>Timed anti-pass back, hold open time zones</li> </ul>	
1524-080 (1524-331 w/enclosure) .....	572.00
1524-331 .....	424.00
1815-340 Replacement Programmer .....	69.70
<ul style="list-style-type: none"> <li>1524 reader can store up to 1000 card codes</li> <li>Use 1815-340 hand held programmer to add / delete individual cards or blocks of cards</li> </ul>	

## DK Prox Cards

### Standard Cards - blocks of 50 only.

These cards are factory pre-coded. Card numbers may, or may not be, in numerical sequence.

<b>1508-120 Clamshell Cards</b>	
50-100 .....	6.16
150-500 .....	5.76
550-950 .....	5.36
1000+ .....	4.96
<b>1508-121 ISO Graphics Cards</b>	
50-100 .....	8.52
150-500 .....	8.12
550-950 .....	7.72
1000+ .....	7.32
<b>1508-123 Key Tags</b>	
50-100 .....	9.12
150-500 .....	8.72
550-950 .....	8.32
1000+ .....	7.92

### Special Order Cards<sup>1</sup> - blocks of 100 only.

These cards include sequential coding, specific card numbers and specific start / stop numbering sequences.

<b>1508-127 Clamshell Cards</b>	
100 .....	9.12
200-500 .....	8.72
600-900 .....	8.32
1000+ .....	7.92
<b>1508-128 ISO Graphics Cards</b>	
100 .....	11.44
200-500 .....	11.04
600-900 .....	10.64
1000+ .....	10.24
<b>1508-129 Key Tags</b>	
100 .....	12.04
200-500 .....	11.64
600-900 .....	11.24
1000+ .....	10.84

Note 1: Special orders cannot be returned for credit.

### UHF DK Prox Cards

These cards are factory pre-coded. Card numbers may, or may not be, in numerical sequence.

1508-191 ISO Card UHF Only <sup>1</sup> .....	14.62
1508-198 ISO Card UHF/DK Prox Dual Tech <sup>1</sup> .....	17.28
1815-318 Windshield Holder .....	5.32
1815-319 Rearview Mirror Holder .....	5.32

1508-191 can only be used with 1815-350 card reader. 1508-198 dual technology card can be used with both 1815-350 and all other DK Prox card readers.

Note 1: Quantity discounts available. Contact the Sales Department.

### UHF DK Prox Cards – Special Order<sup>1</sup>

These cards include sequential coding, specific card numbers and specific start / stop numbering sequences.

1508-190 ISO Card UHF Only <sup>2</sup> .....	17.28
1508-197 ISO Card UHF/DK Prox Dual Tech <sup>2</sup> .....	19.90
1815-318 Windshield Holder .....	5.32
1815-319 Rearview Mirror Holder .....	5.32

1508-190 can only be used with 1815-350 card reader. 1508-197 dual technology cards can be used with both 1815-350 and all other DK Prox card readers.

Note 1: Special orders cannot be returned for credit.

Note 2: Quantity discounts available. Contact the Sales Department.

### Card Identifier for PC

1815-640 26-Bit Prox Cards <sup>1,2</sup> .....	154.00
---	--------

Note 1: Card identifier is used when the card code is not printed on the card or the code has worn off the card.

Note 2: Requires Prox card identifier software - free download:

<http://www.doorking.com/accessories/access-control-accessories/dkprox-card-identifier>

### 1508-195 Windshield/Headlight Tag<sup>1,2</sup>

1-50 .....	15.92
51-150 .....	15.52
151-500 .....	15.12
501-999 .....	14.72
1000+ .....	14.32

### 1508-199 License Plate Tag<sup>1</sup>

1-50 .....	15.92
51-150 .....	15.52
151-500 .....	15.12
501-999 .....	14.72
1000+ .....	14.32

Note 1: 1508-195 and 1508-199 can only be used with 1815-350 card reader.

**Note 2: It is illegal to place a tag on a headlight in some states. Check with the state Department of Transportation before ordering tags intended to be placed on headlights.**

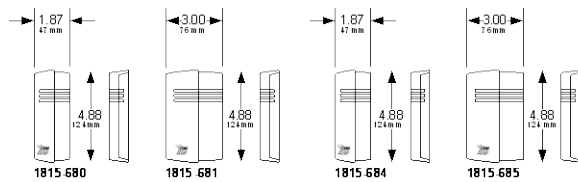
## DK ProxPlus Card Readers

### ProxPlus Standard

- Reads Mifare cards with 4 or 7 byte UID code and DK ProxPlus secure cards
- Output from reader is 26-bit Wiegand format
- Useful for applications where Mifare cards are already in use to control other doors/gates

### ProxPlus Secure

- Reads only DK ProxPlus secure cards
- Output from reader is 26-bit Wiegand format
- Useful for applications where a higher degree of security is desired. Cards cannot be duplicated.



26-Bit Wiegand Output

#### ProxPlus Standard<sup>1</sup>

1815-680 Up to 4-inch range .....196.00  
1815-681 Up to 4-inch range .....196.00

Note1: These readers will read Mifare Classic 4 or 7 byte UID cards and DK ProxPlus secure cards and output the card code in a 26-Bit wiegand format.

#### Card Identifier

1815-690 Reads Mifare Cards<sup>1</sup> .....260.00

Note1: Card identifier is used when the card code is not printed on the card or the code has worn off the card.

#### ProxPlus Secure<sup>1</sup>

1815-684 Up to 4-inch range ..... 196.00  
1815-685 Up to 4-inch range ..... 196.00

Note1: These readers will read only DoorKing ProxPlus secure cards and output the card code in a 26-Bit wiegand format.

#### Card Identifier

1815-692 Reads ProxPlus Secure Cards<sup>1</sup> ..... 260.00

Note1: Card identifier is used when the card code is not printed on the card or the code has worn off the card.

## DK ProxPlus Secure Cards

---

### Factory Coded Cards - blocks of 50 only.

These cards are factory pre-coded. Card numbers may, or may not be in numerical sequence.

**1508-252 Secure Cards**

50-100.....	9.12
150-500.....	8.72
550-950.....	8.32
1000+ .....	7.92

**1508-257 Secure Key Tags**

50-100.....	9.68
150-500.....	9.28
550-950.....	8.88
1000+ .....	8.48

### Custom Programmed Cards<sup>1</sup> - blocks of 100 only.

These cards include sequential coding, specific card numbers and specific start / stop numbering sequences.

**1508-250 Secure Cards**

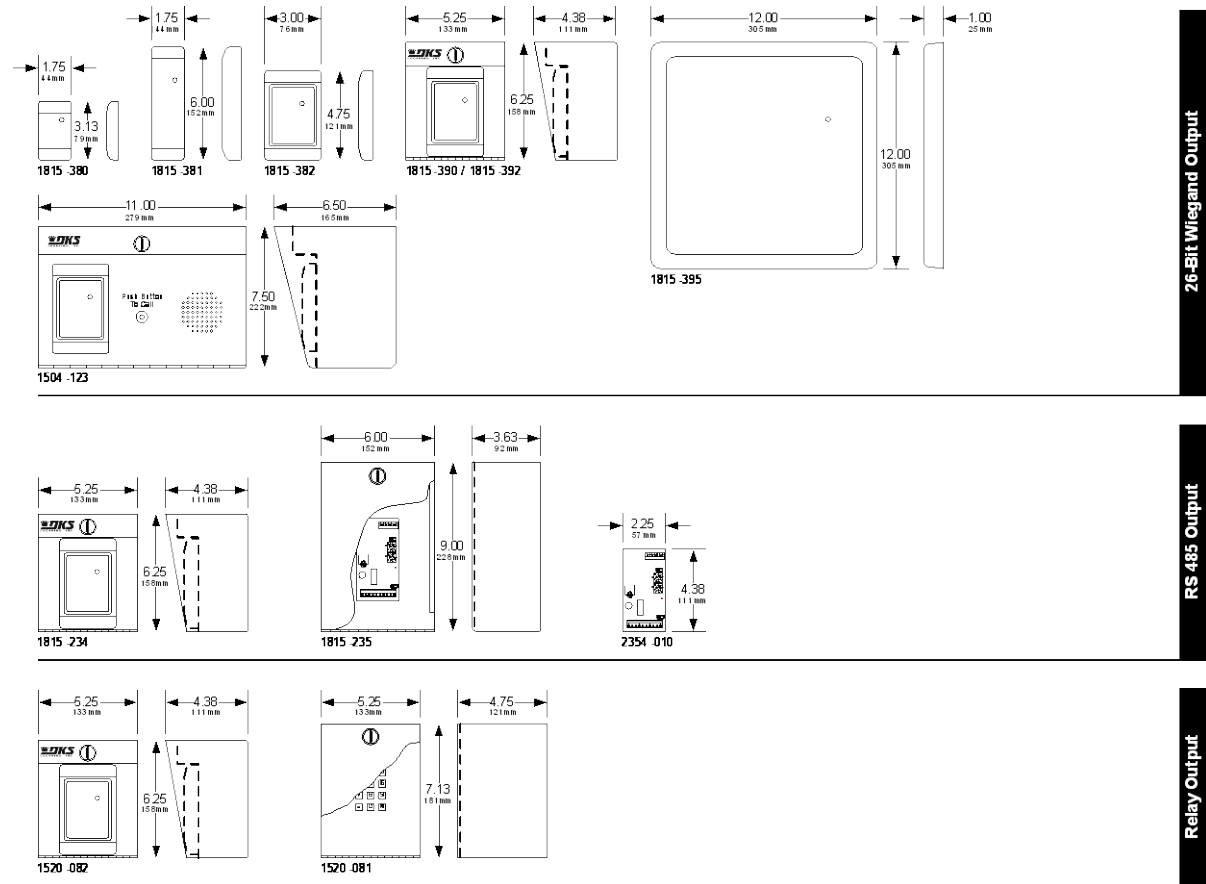
100 .....	10.90
200-500.....	10.50
600-900.....	10.10
1000+ .....	9.70

**1508-255 Secure Key Tags**

100 .....	11.46
200-500.....	11.06
600-900.....	10.66
1000+ .....	10.26

Note 1: Custom ordered cards cannot be returned for credit.

## HID Proximity Card Readers



26-Bit Wiegand Output	
1815-380 (ProxPoint Plus) Up to 3-inch range.....	394.00
1815-381 (MiniProx) Up to 5-inch range .....	774.00
1815-382 (ThinLine) Up to 5-inch range .....	744.00
1815-390 (1815-382 reader w/enclosure).....	856.00
1815-392 (1815-390 w/expansion board) .....	1,486.00
1504-123 (1815-382 w/intercom substation).....	968.00
1815-395 (MaxiProx) Up to 6-foot range.....	2,342.00
• Use 1508-014 Active Tags with 1815-395	
RS-485 Output (ACCESS PLUS ONLY)	
1815-234 (ThinLine) Up to 5-inch range .....	1,114.00
1815-235 (2354-010 w/enclosure) .....	384.00
2354-010 (26-Bit Wiegand to RS-485 converter).....	220.00

Relay Output (Stand Alone)	
1520-082.....	1,286.00
1520-081 Controller only .....	878.00
• 1520 reader/controller can store up to 1000 card codes	
• 3600 event history buffer	
• Built-in programming keypad	
• Timed anti-pass back, hold open time zones	

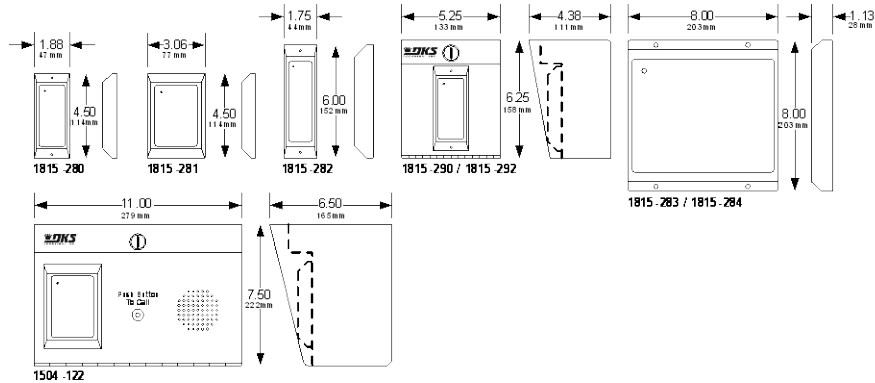


## HID Prox Cards

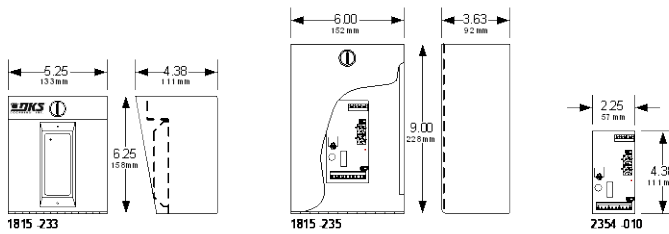
Minimum order for HID cards is 100. Cards are sold in blocks of 50 only. Special order cards are sold in blocks of 100 only.

<p><b>HID Prox Cards</b> These cards are factory pre-coded. Card numbers may, or may not be, in numerical sequence.</p>		<p><b>HID Prox Cards - Special Order<sup>1</sup></b> These cards include sequential coding, specific card numbers and specific start / stop numbering sequences.</p>	
<p><b>1508-018 ProxCard Clamshell Cards</b></p>		<p><b>1508-143 ProxCard Clamshell Cards</b></p>	
100 .....	9.12	100 .....	12.04
150-500.....	8.72	200-500.....	11.64
550-950.....	8.32	600-900.....	11.24
1000+.....	7.92	1000+.....	10.84
<p><b>1508-017 Prox ISO Graphics Cards</b></p>		<p><b>1508-144 Prox ISO Graphics Cards</b></p>	
100 .....	14.36	100 .....	17.30
150-500.....	13.96	200-500.....	16.90
550-950.....	13.56	600-900.....	16.50
1000+.....	13.16	1000+.....	16.10
<p><b>1508-016 ProxKey Key Tags</b></p>		<p><b>1508-145 ProxKey Key Tags</b></p>	
100 .....	14.96	100 .....	17.88
150-500.....	14.56	200-500.....	17.48
550-950.....	14.16	600-900.....	17.08
1000+.....	13.76	1000+.....	16.68
		<p><b>1508-014 ProxPass Active Tags (use with 1815-395 only)</b></p>	
		1-9.....	116.00
		10-30.....	113.00
		40-100.....	110.00
		110-490.....	107.00
		500+.....	104.00
		<p>Note 1: Special orders cannot be returned for credit.</p>	

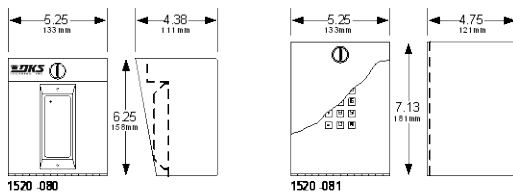
## AWID Proximity Card Readers



26-Bit Wiegand Output



RS-485 Output



Relay Output

### 26-Bit Wiegand Output

1815-280 (SR 2400) Up to 4-inch range .....	264.00
1815-281 (SP 6820) Up to 8-inch range .....	474.00
1815-282 (MM 6800) Up to 2-inch range .....	474.00
1815-290 (1815-280 reader w/enclosure).....	394.00
1815-292 (1815-290 w/expansion board) .....	1,024.00
1815-283 (MR 1824) Up to 24 inch range.....	952.00
1815-284 (MR 1824 MC) Up to 16 inch range .....	1,170.00
1504-122 (1815-281 w/intercom substation).....	842.00

### RS-485 Output (ACCESS PLUS ONLY)

1815-233 Up to 3-inch range .....	626.00
1815-235 (2354-010 w/enclosure).....	384.00
2354-010 (26-Bit Wiegand to RS-485 converter) .....	220.00

### Relay Output (Stand Alone)

1520-080.....	1,054.00
1520-081 Controller only .....	878.00

- 1520 reader/controller can store up to 1000 card codes
- 3600 event history buffer
- Built-in programming keypad
- Timed anti-pass back, hold open time zones

## AWID Prox Cards

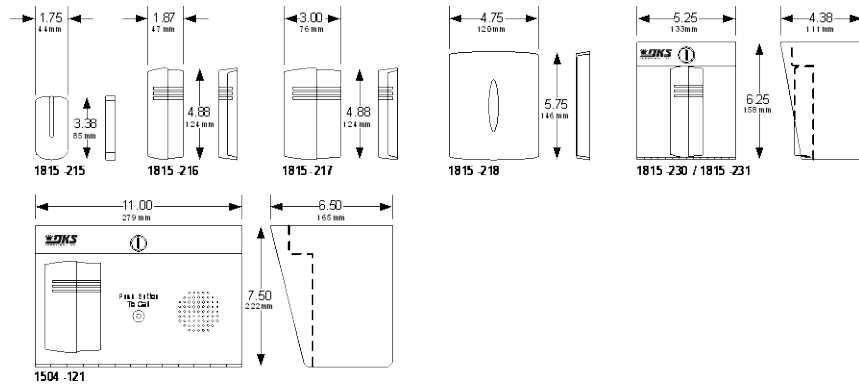
Cards are sold in blocks of 50 only.

Special order cards are sold in blocks of 100 only.

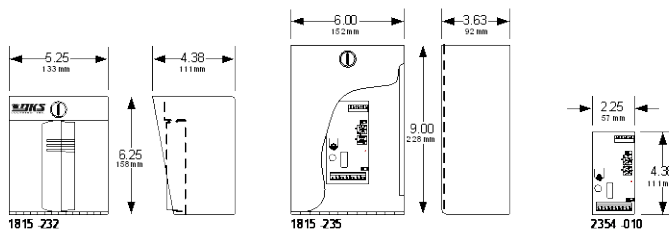
<b>AWID Prox Cards</b>	
These cards are factory pre-coded. Card numbers may, or may not be, in numerical sequence.	
<b>1508-020 Prox-Linc Clamshell Cards</b>	
50-100 .....	7.62
150-500 .....	7.22
550-950 .....	6.82
1000+ .....	6.42
<b>1508-021 Prox-Linc GR ISO Graphics Cards</b>	
50-100 .....	11.58
150-500 .....	11.18
550-950 .....	10.78
1000+ .....	10.38
<b>1508-022 Prox-Linc KT Key Tags</b>	
50-100 .....	12.30
150-500 .....	11.90
550-950 .....	11.50
1000+ .....	11.10

<b>AWID Prox Cards - Special Order<sup>1</sup> (minimum 100)</b>	
These cards include sequential coding, specific card numbers and specific start / stop numbering sequences.	
<b>1508-132 Prox-Linc Clamshell Cards</b>	
100 .....	10.54
200-500 .....	10.14
600-900 .....	9.74
1000+ .....	9.34
<b>1508-133 Prox-Linc GR ISO Graphics Cards</b>	
100 .....	14.52
200-500 .....	14.12
600-900 .....	13.72
1000+ .....	13.32
<b>1508-134 Prox-Linc KT Key Tags</b>	
100 .....	15.20
200-500 .....	14.80
600-900 .....	14.40
1000+ .....	14.00
Note 1: Special orders cannot be returned for credit.	

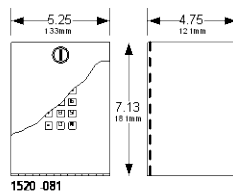
## ID-Teck Proximity Card Readers



26-Bit Wiegand Output



RS-485 Output



Relay Output

### 26-Bit Wiegand Output

1815-215 (RF Tiny) Up to 3-inch range .....	278.00
1815-216 (RF 10) Up to 3-inch range .....	278.00
1815-217 (RF 20) Up to 3-inch range .....	278.00
1815-218 (RF 30) Up to 12 inch range .....	762.00
1815-230 (1815-216 reader w/enclosure) .....	390.00
1815-231 (1815-230 w/expansion board) .....	1,004.00
1504-121 (1815-217 w/intercom substation) .....	852.00

### RS-485 Output (ACCESS PLUS ONLY)

1815-232 Up to 3-inch range .....	614.00
1815-235 (2354-010 w/enclosure) .....	384.00
2354-010 (26-Bit Wiegand to RS-485 converter) .....	220.00

### Relay Output (Stand Alone)

1520-081 Controller only .....	878.00
--------------------------------	--------

- 1520 reader/controller can store up to 1000 card codes
- 3600 event history buffer
- Built-in programming keypad
- Timed anti-pass back, hold open time zones

## ID-Teck Prox Cards

Note: cards will work with the following ID-Teck Prox readers only:  
1815-215, 1815-216, 1815-217, 1815-218, 1815-230, 1815-231, 1504-121

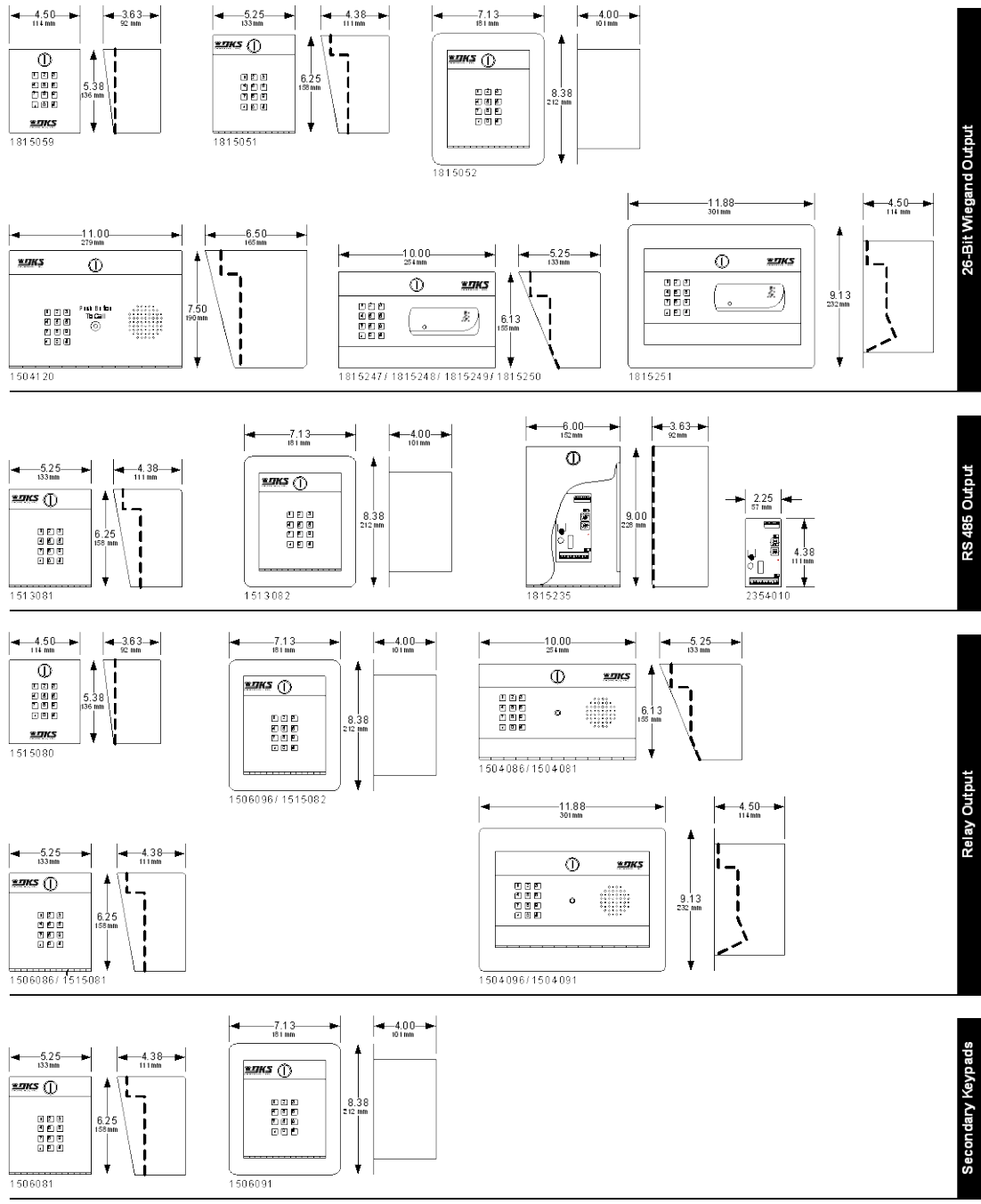
**Cards are sold in blocks of 50 only.**

<b>ID-Teck Prox Cards</b>	
These cards are factory pre-coded. Card numbers may, or may not be, in numerical sequence.	
<b>1508-110 RF 170 Clamshell Cards</b>	
50-100.....	8.88
150-500.....	8.48
550-950.....	8.08
1000+.....	7.68
<b>1508-111 RF 80 ISO Graphics Cards</b>	
50-100.....	14.36
150-500.....	13.96
550-950.....	13.56
1000+.....	13.16
<b>1508-112 RF 50 Key Tags</b>	
50-100.....	15.20
150-500.....	14.80
550-950.....	14.40
1000+.....	14.00

**Special order cards are sold in blocks of 100 only.**

<b>ID-Teck Prox Cards - Special Order<sup>1</sup></b>	
These cards include sequential coding, specific card numbers and specific start / stop numbering sequences.	
<b>1508-136 RF 170 Clamshell Cards</b>	
100.....	11.84
200-500.....	11.44
600-900.....	11.04
1000+.....	10.64
<b>1508-137 RF 80 ISO Graphics Cards</b>	
100.....	17.30
200-500.....	16.90
600-900.....	16.50
1000+.....	16.10
<b>1508-138 RF 50 Key Tags</b>	
100.....	18.14
200-500.....	17.74
600-900.....	17.34
1000+.....	16.94
Note 1: Special orders cannot be returned for credit.	

# Keypads



## Keypads

### 26-Bit Wiegand Output

These keypads must be connected to a 26-bit wiegand controller, such as the DK 1830 Series. They are not stand-alone devices.

1815-059 Surface Mount .....	500.00
• Low power solar mode.	
1815-051 Surface Mount .....	646.00
1815-052 Flush Mount.....	806.00
1504-120 Surface Mount w/intercom substation .....	980.00
1815-247 Surface Mount .....	1,258.00
• Keypad with ID Tech (1815-216) card reader.	
1815-248 Surface Mount .....	1,304.00
• Keypad with AWID (1815-281) card reader.	
1815-249 Surface Mount .....	1,452.00
• Keypad with HID (1815-382) card reader.	
1815-250 Surface Mount .....	1,204.00
• Keypad with DK Prox (1815-300) card reader.	
1815-251 Flush Mount.....	1,428.00
• Keypad with DK Prox (1815-300) card reader.	

### RS-485 Output (ACCESS PLUS ONLY)

These keypads must be connected to a RS-485 controller, such as the DK Access Plus Series. They are not stand-alone devices.

1513-081 Surface Mount .....	660.00
1513-082 Flush Mount.....	820.00
1815-235 (2354-010 w/enclosure) .....	384.00
2354-010 (26-Bit Wiegand to RS-485 converter) .....	220.00

### Relay Output (Stand Alone)

These keypads use a dry relay(s) contact and are designed to be used as a stand-alone device.

1506-086 Surface Mount .....	806.00
1506-096 Flush Mount.....	968.00
1504-086 Surface Mount w/intercom substation .....	998.00
1504-096 Flush Mount w/intercom substation.....	1,230.00
• 2 Form C dry contact relays.	
• 1000 four (4) digit entry codes.	
• 6 five (5) digit entry codes.	
• Hold open codes.	
• Time zone inputs.	
1515-080 <sup>1</sup> Surface Mount .....	474.00
1515-081 Surface Mount .....	632.00
1515-082 Flush Mount.....	780.00
1504-081 Surface Mount w/intercom substation .....	812.00
1504-091 Flush Mount w/intercom substation.....	888.00
• 1 Form C dry contact relay.	
• 400 four (4) or five (5) digit entry codes.	
• Hold open codes.	
• Low power solar mode.	

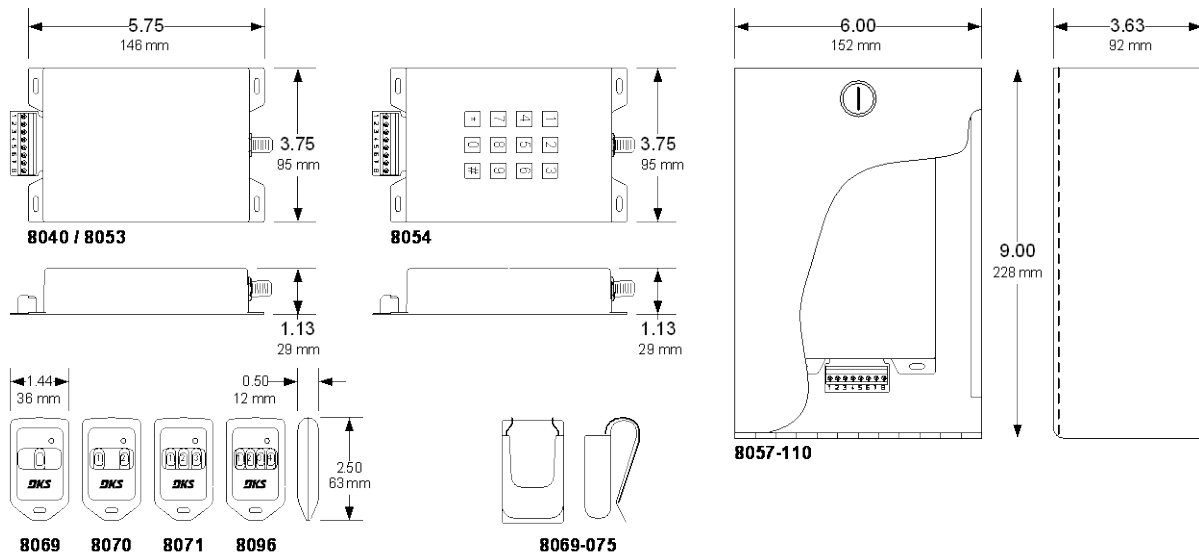
1. Includes NFC programming with DK Manager app, Android only (Free from Google Play store).

### Secondary Keypad

These keypads can only be used with DK telephone entry systems.

1506-081 Surface Mount .....	540.00
1506-091 Flush Mount.....	700.00

## MicroPLUS RF Controls



<b>26-Bit Wiegand Output</b>	
8040-080 .....	236.00
<ul style="list-style-type: none"> <li>5300 Transmitter codes.</li> <li>26, 30 or 31-bit wiegand format.</li> </ul>	
8040-090 .....	236.00
<ul style="list-style-type: none"> <li>5300 Transmitter codes.</li> <li>26, 30 or 31-bit wiegand format.</li> <li>Compatible with Elite Series<sup>1</sup> DT-418 transmitters.</li> </ul>	
1. Elite Series is a registered trademark of The Chamberlain Group, Inc.	
<b>RS-485 Output (ACCESS PLUS ONLY)</b>	
8053-080 .....	264.00
<ul style="list-style-type: none"> <li>5300 Transmitter codes.</li> </ul>	
<b>MicroPlus Visor Clips (Black)</b>	
<b>8069-075</b>	
1-30 .....	4.80
31-100 .....	4.30
101+ .....	3.80

<b>Relay Output (Stand Alone)</b>	
8040-080 100 Transmitter codes .....	236.00
<ul style="list-style-type: none"> <li>Program via the "learn" method.</li> <li>Individual codes cannot be deleted.</li> </ul>	
8054-081 50 Transmitter codes .....	474.00
8054-082 100 Transmitter codes .....	554.00
8054-083 250 Transmitter codes .....	632.00
8054-084 500 Transmitter codes .....	710.00
8054-085 1000 Transmitter codes .....	794.00
8054-086 1250 Transmitter codes .....	870.00
<ul style="list-style-type: none"> <li>Built-in time clock, 10 programmable time zones.</li> <li>2300 event history buffer.</li> <li>Can be connected to a serial printer.</li> </ul>	
<b>Receiver Accessories</b>	
8057-110 Lockable outdoor enclosure .....	142.00
1514-073 Coax Antenna kit .....	70.26
1514-072 High Gain antenna 318 MHz .....	254.00
8052-080 Antenna Amplifier 318 MHz .....	292.00



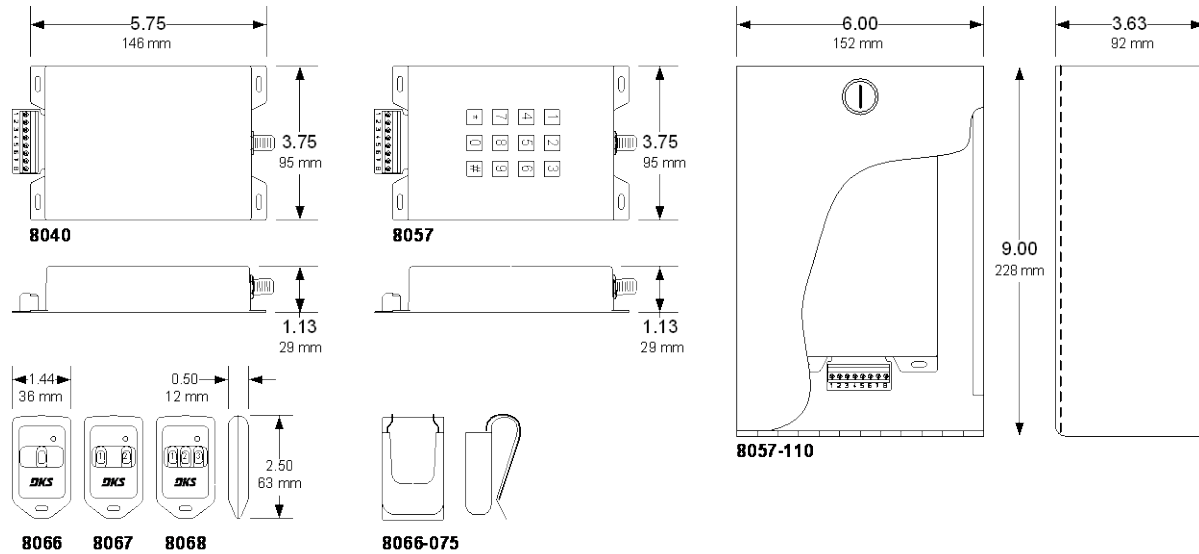
**MicroPlus Transmitters / ProxMitters (Transmitter w/proximity card reader built-in)**

**IMPORTANT!** The prices shown are for block-coded transmitters ordered in multiples of 10 only. Add \$3.70 per transmitter for any order specifying transmitter numbering sequence or facility codes.

<b>8069-080 1 Button</b>	
10-30.....	43.34
40-100.....	41.34
110+.....	37.34
<b>8070-080 2 Button</b>	
10-30.....	45.74
40-100.....	43.74
110+.....	39.74
<b>8071-080 3 Button</b>	
10-30.....	48.16
40-100.....	46.16
110+.....	42.16
<b>8096-080 4 Button</b>	
10-30.....	50.56
40-100.....	48.56
110+.....	44.56
<b>8069-082 1 Button w/AWID Tag</b>	
10-30.....	54.18
40-100.....	52.18
110+.....	48.18
<b>8070-082 2 Button w/AWID Tag</b>	
10-30.....	56.58
40-100.....	54.58
110+.....	50.58
<b>8071-082 3 Button w/AWID Tag</b>	
10-30.....	59.02
40-100.....	57.02
110+.....	53.02
<b>8096-082 4 Button w/AWID Tag</b>	
10-30.....	61.40
40-100.....	59.40
110+.....	55.40
<b>8069-084 1 Button w/HID Tag</b>	
10-30.....	54.18
40-100.....	52.18
110+.....	48.18
<b>8070-084 2 Button w/HID Tag</b>	
10-30.....	56.58
40-100.....	54.58
110+.....	50.58
<b>8071-084 3 Button w/HID Tag</b>	
10-30.....	59.02
40-100.....	57.02
110+.....	53.02
<b>8096-084 4 Button w/HID Tag</b>	
10-30.....	61.40
40-100.....	59.40
110+.....	55.40

<b>8069-086 1 Button w/IDTeck Tag</b>	
10-30.....	54.18
40-100.....	52.18
110+.....	48.18
<b>8070-086 2 Button w/IDTeck Tag</b>	
10-30.....	56.58
40-100.....	54.58
110+.....	50.58
<b>8071-086 3 Button w/IDTeck Tag</b>	
10-30.....	59.02
40-100.....	57.02
110+.....	53.02
<b>8096-086 4 Button w/IDTeck Tag</b>	
10-30.....	61.40
40-100.....	59.40
110+.....	55.40
<b>8069-087 1 Button w/DK Prox Tag</b>	
10-30.....	54.18
40-100.....	52.18
110+.....	48.18
<b>8070-087 2 Button w/DK Prox tag</b>	
10-30.....	56.58
40-100.....	54.58
110+.....	50.58
<b>8071-087 3 Button w/DK Prox Tag</b>	
10-30.....	59.02
40-100.....	57.02
110+.....	53.02
<b>8096-087 4 Button w/DK Prox Tag</b>	
10-30.....	61.40
40-100.....	59.40
110+.....	55.40
<b>8069-088 1 Button w/DK ProxPlus Tag</b>	
10-30.....	54.18
40-100.....	52.18
110+.....	48.18
<b>8070-088 2 Button w/DK ProxPlus tag</b>	
10-30.....	56.58
40-100.....	54.58
110+.....	50.58
<b>8071-088 3 Button w/DK ProxPlus Tag</b>	
10-30.....	59.02
40-100.....	57.02
110+.....	53.02
<b>8096-088 4 Button w/DK ProxPlus Tag</b>	
10-30.....	61.40
40-100.....	59.40
110+.....	55.40

## MicroClik RF Controls



<b>26-Bit Wiegand Output</b>	
8040-080 .....	236.00
<ul style="list-style-type: none"> <li>• 5300 Transmitter codes.</li> <li>• 26, 30 or 31-bit wiegand format.</li> </ul>	
8040-090 .....	236.00
<ul style="list-style-type: none"> <li>• 5300 Transmitter codes.</li> <li>• 26, 30 or 31-bit wiegand format.</li> <li>• Compatible with Elite Series<sup>1</sup> DT-418 transmitters.</li> </ul>	
1. Elite Series is a registered trademark of The Chamberlain Group, Inc.	
<b>MicroClik Visor Clips (Gray)</b>	
<b>8066-075</b>	
1-30 .....	4.80
31-100 .....	4.30
101+.....	3.80

<b>Relay Output (Stand Alone)</b>	
8040-080 100 Transmitter codes .....	236.00
<ul style="list-style-type: none"> <li>• Program via the “learn” method.</li> <li>• Individual codes cannot be deleted.</li> </ul>	
8057-081 50 Transmitter codes .....	394.00
8057-082 100 Transmitter codes .....	474.00
8057-083 250 Transmitter codes .....	548.00
8057-084 500 Transmitter codes .....	632.00
8057-085 1000 Transmitter codes .....	710.00
8057-086 5000 Transmitter codes .....	794.00
8057-088 16,000 Transmitter codes .....	870.00
<ul style="list-style-type: none"> <li>• Built-in time clock, 10 programmable time zones.</li> <li>• 2300 event history buffer.</li> <li>• Can be connected to a serial printer.</li> </ul>	
<b>Receiver Accessories</b>	
8057-110 Lockable outdoor enclosure.....	142.00
1514-073 Coax Antenna kit .....	70.26
1514-072 High Gain antenna 318 MHz .....	254.00
8052-080 Antenna Amplifier 318 MHz.....	292.00

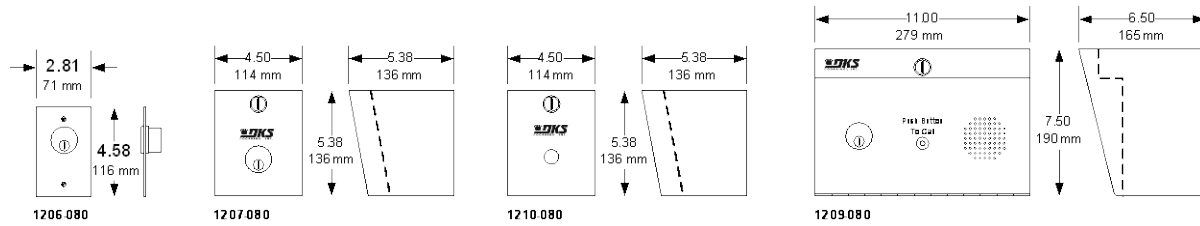
**MicroClik Transmitters / ProxMitters (Transmitter w/proximity card reader built-in)**

**IMPORTANT!** The prices shown are for block-coded transmitters ordered in multiples of 10 only. **Add \$3.70 per transmitter for any order specifying transmitter numbering sequence or facility codes.**

<b>8066-080 1 Button</b>		<b>8066-084 1 Button w/IDTeck Tag</b>	
10-30 .....	45.74	10-30.....	56.58
40-100 .....	43.74	40-100.....	54.58
110+.....	39.74	110+.....	50.58
<b>8067-080 2 Button</b>		<b>8067-084 2 Button w/IDTeck Tag</b>	
10-30 .....	48.16	10-30.....	59.02
40-100 .....	46.16	40-100.....	57.02
110+.....	42.16	110+.....	53.02
<b>8068-080 3 Button</b>		<b>8068-084 3 Button w/IDTeck Tag</b>	
10-30 .....	50.54	10-30.....	61.40
40-100 .....	48.54	40-100.....	59.40
110+.....	44.54	110+.....	55.40
<b>8066-082 1 Button w/AWID Tag</b>		<b>8066-085 1 Button w/DK Prox Tag</b>	
10-30 .....	56.58	10-30.....	55.58
40-100 .....	54.58	40-100.....	54.58
110+.....	50.58	110+.....	50.58
<b>8067-082 2 Button w/AWID Tag</b>		<b>8067-085 2 Button w/DK Prox Tag</b>	
10-30 .....	59.02	10-30.....	59.02
40-100 .....	57.02	40-100.....	57.02
110+.....	53.02	110+.....	53.02
<b>8068-082 3 Button w/AWID Tag</b>		<b>8068-085 3 Button w/DK Prox Tag</b>	
10-30 .....	61.40	10-30.....	61.40
40-100 .....	59.40	40-100.....	59.40
110+.....	55.40	110+.....	55.40
<b>8066-083 1 Button w/HID Tag</b>		<b>8066-086 1 Button w/DK ProxPlus Tag</b>	
10-30 .....	56.58	10-30.....	55.58
40-100 .....	54.58	40-100.....	54.58
110+.....	50.58	110+.....	50.58
<b>8067-083 2 Button w/HID Tag</b>		<b>8067-086 2 Button w/DK ProxPlus Tag</b>	
10-30 .....	59.02	10-30.....	59.02
40-100 .....	57.02	40-100.....	57.02
110+.....	53.02	110+.....	53.02
<b>8068-083 3 Button w/HID Tag</b>		<b>8068-086 3 Button w/DK ProxPlus Tag</b>	
10-30 .....	61.40	10-30.....	61.40
40-100 .....	59.40	40-100.....	59.40
110+.....	55.40	110+.....	55.40

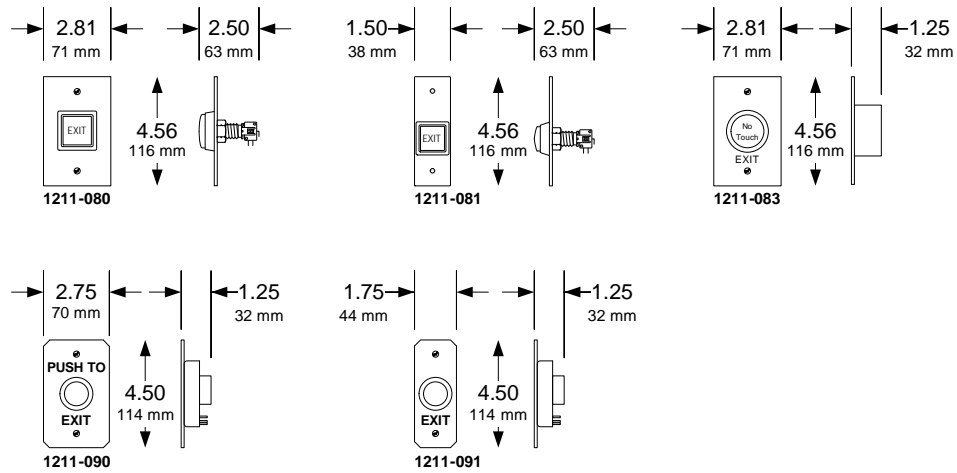
<b>8072-080 1 Button 418 MHz</b>	
10-30.....	59.96
40-100.....	57.56
110+.....	53.56
<b>8073-080 2 Button 418 MHz</b>	
10-30.....	62.70
40-100.....	60.70
110+.....	56.70
<b>8074-080 3 Button 418 MHz</b>	
10-30.....	65.52
40-100.....	63.52
110+.....	59.52

## Key Switches



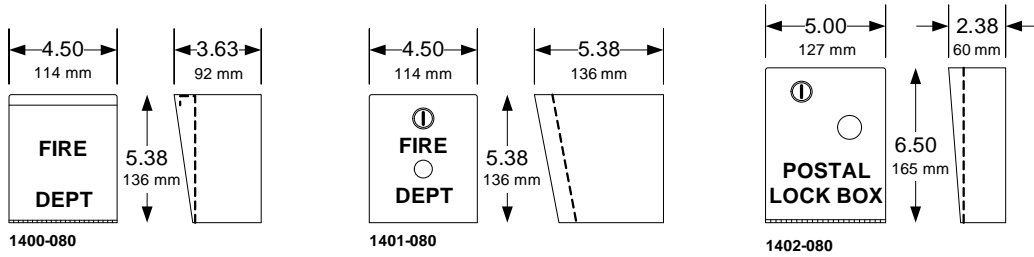
Mortise Key Cylinder		Ace Key Cylinder	
1206-080 .....	120.00	1210-080 .....	318.00
<ul style="list-style-type: none"> <li>N.O. or N.C. operation.</li> <li>Mounts in single-gang electric box.</li> <li>Indoor use only.</li> </ul>		<ul style="list-style-type: none"> <li>N.O. or N.C. operation.</li> <li>Surface mount non-lighted enclosure.</li> <li>Indoor or outdoor use.</li> </ul>	
1207-080 .....	318.00		
<ul style="list-style-type: none"> <li>N.O. or N.C. operation.</li> <li>Surface mount non-lighted enclosure.</li> <li>Indoor or outdoor use.</li> </ul>			
1209-080 .....	540.00		
<ul style="list-style-type: none"> <li>N.O. or N.C. operation.</li> <li>Surface mount lighted enclosure.</li> <li>Indoor or outdoor use.</li> <li>Intercom substation.</li> </ul>			

## Push Buttons



Push Button Switch		Piezoelectric Switch	
1211-080.....	76.10	1211-090.....	436.00
<ul style="list-style-type: none"> <li>Stainless steel faceplate.</li> <li>Mounts in single-gang electric box.</li> <li>Requires 12-VDC power to illuminate exit button.</li> <li>Indoor use only.</li> </ul>		<ul style="list-style-type: none"> <li>Vandal resistant stainless steel faceplate.</li> <li>Selectable illumination status (red, green).</li> <li>Mounts in single-gang electric box.</li> <li>Requires 12-24 VDC power.</li> </ul>	
1211-081.....	70.26	1211-091.....	452.00
<ul style="list-style-type: none"> <li>Stainless steel faceplate.</li> <li>Mullion mount.</li> <li>Requires 12-VDC power to illuminate exit button.</li> <li>Indoor use only.</li> </ul>		<ul style="list-style-type: none"> <li>Vandal resistant stainless steel faceplate.</li> <li>Selectable illumination status (red, green).</li> <li>Mullion mount.</li> <li>Requires 12-24 VDC power.</li> </ul>	
1211-083.....	130.00		
<ul style="list-style-type: none"> <li>No Touch exit button.</li> <li>Stainless steel faceplate.</li> <li>Mounts in single-gang electric box.</li> <li>Requires 12-VDC power.</li> <li>Indoor use only.</li> </ul>			

## Lock Boxes



Fire Department Lock Box	
1400-080 .....	150.00
<ul style="list-style-type: none"> <li>• Accepts Fire Department padlock.</li> <li>• Surface or post mounted.</li> <li>• Painted bright red.</li> <li>• Constant contact switch when padlock is removed and the door is open.</li> </ul>	
1401-080 .....	150.00
<ul style="list-style-type: none"> <li>• Accepts Knox 3501 key switch.</li> <li>• Surface or post mounted.</li> <li>• Faceplate painted bright red.</li> </ul>	

Postal Service Lock Box	
1402-080 .....	160.00
<ul style="list-style-type: none"> <li>• Accepts standard postal key lock.</li> <li>• Surface or post mount.</li> <li>• Painted Postal blue.</li> <li>• Postal lock can be installed to either activate a door or gate, or simply open the postal box.</li> </ul>	

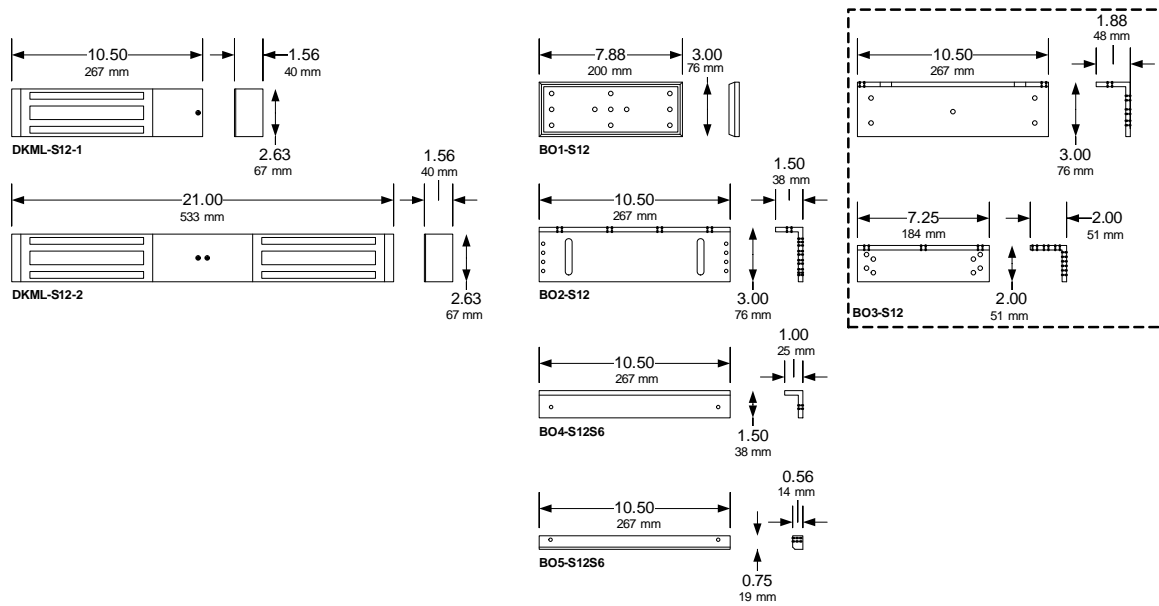
## Replacement Components

## Electronic Components

<b>LED Light Kits</b>	
1804-701.....	27.88
Use with 1209, 1504, 1506	
1804-705.....	29.28
Use with 1520 and lighted card readers	
1804-706.....	29.28
Use with 1503	

## Magnetic Door Locks

### 1200 Lb (544 Kg) Door Locks (Indoor Use Only)



#### Single Door Locks Surface Mount

DKML-S12-1	454.00
DKML-S12-1L	562.00
DKML-S12-1LT	594.00

#### Dual Door Locks Surface Mount

DKML-S12-2	888.00
DKML-S12-2L	1108.00
DKML-S12-2LT	1164.00

- Locks operate on 12 or 24 Volt DC power.
- "L" includes LED status indicator.
- "T" includes built-in time delay.

#### Mounting Brackets

BO1-S12 Armature Bracket	70.26
BO2-S12 L Bracket	70.26
BO4-S12S6 Angle Bracket	78.06
BO5-S12S6 Spacer Bar	63.16
BO3-S12 L & Z Bracket Kit	174.00

#### Back-up Power Supply / Charger

1215-130 12/24 Volt @ 1 Amp	348.00
1215-131 12/24 Volt @ 2.5 Amp	600.00
1215-132 12/24 Volt @ 3 Amp	746.00
1215-133 12/24 Volt @ 6 Amp	1082.00

- Requires two (2) 12 Volt, 7 Ah SLA batteries (not included).

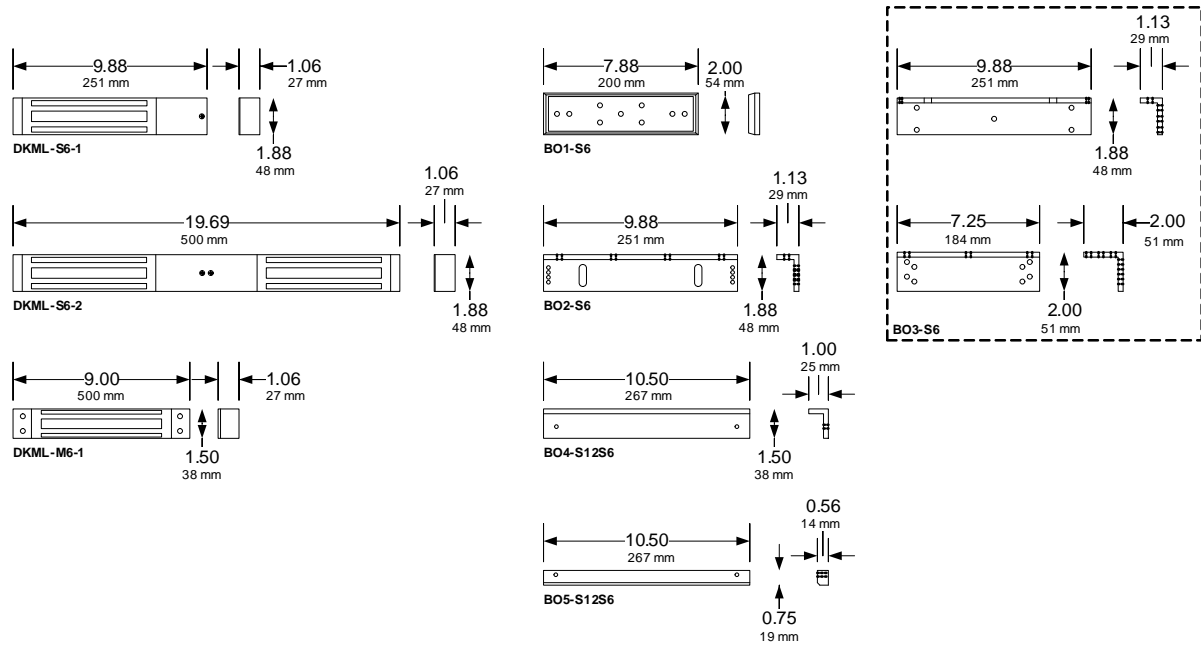
#### DC Lock Power Transformers

1812-018 12 Volt, 1000 mA	59.74
1812-136 24 Volt, 1000 mA	78.06



## Magnetic Door Locks

### 600 Lb (272 Kg) Door Locks (Indoor Use Only)



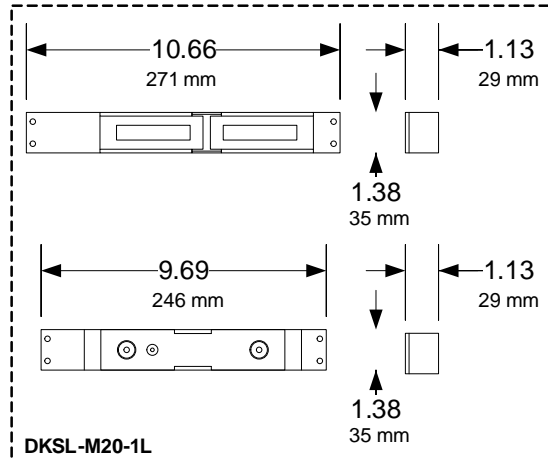
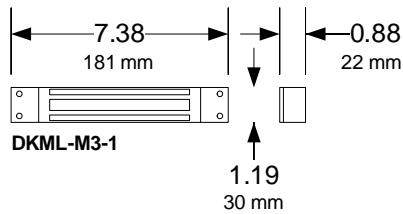
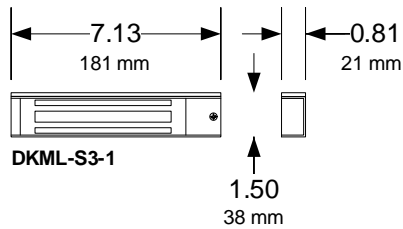
Single Door Locks Surface Mount	
DKML-S6-1	420.00
DKML-S6-1L	468.00
DKML-S6-1LT	514.00
Single Door Locks Mortise Mount	
DKML-M6-1	344.00
DKML-M6-1L	378.00
DKML-M6-1LT	412.00
Dual Door Locks Surface Mount	
DKML-S6-2	814.00
DKML-S6-2L	922.00
DKML-S6-2LT	998.00

- Locks operate on 12 or 24 Volt DC power.
- "L" includes LED status indicator.
- "T" includes built-in time delay.

Mounting Brackets	
BO1-S12 Armature Bracket	70.26
BO2-S12 L Bracket	70.26
BO4-S12S6 Angle Bracket	78.06
BO5-S12S6 Spacer Bar	63.16
BO3-S12 L & Z Bracket Kit	174.00
Back-up Power Supply / Charger	
1215-130 12/24 Volt @ 1 Amp	348.00
1215-131 12/24 Volt @ 2.5 Amp	600.00
1215-132 12/24 Volt @ 3 Amp	746.00
1215-133 12/24 Volt @ 6 Amp	1082.00
<ul style="list-style-type: none"> <li>Requires two (2) 12 Volt, 7 Ah SLA batteries (not included).</li> </ul>	
DC Lock Power Transformers	
1812-018 12 Volt, 1000 mA	59.74
1812-136 24 Volt, 1000 mA	78.06

## Magnetic Door Locks

### 300 Lb (136 Kg) Mini-locks and 2000 Lb (907 Kg) Shear Lock (Indoor Use Only)

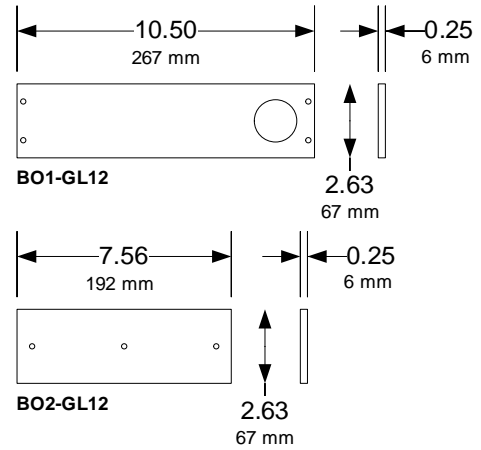
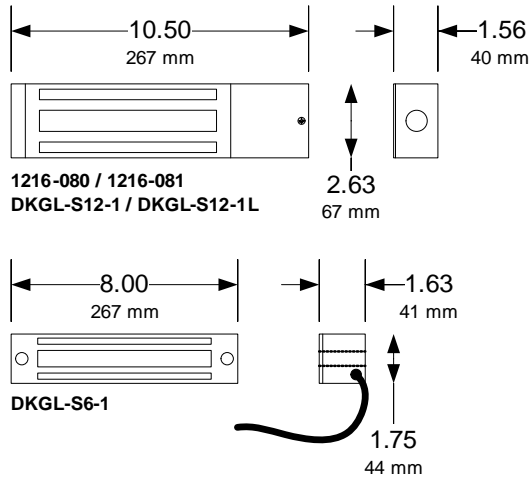


<b>300 Lb. Door Locks</b>	
DKML-S3-1 Surface Mount .....	346.00
DKML-M3-1 Mortise Mount .....	346.00
<b>2000 Lb. Shear Lock Surface Mount</b>	
DKSL-M20-1L .....	666.00
<ul style="list-style-type: none"> <li>• Locks operate on 12 or 24 Volt DC power.</li> <li>• Shear lock includes LED status indicator and built-in signal relay.</li> </ul>	

<b>Back-up Power Supply / Charger</b>	
1215-130 12/24 Volt @ 1 Amp.....	348.00
1215-131 12/24 Volt @ 2.5 Amp.....	600.00
1215-132 12/24 Volt @ 3 Amp.....	746.00
1215-133 12/24 Volt @ 6 Amp.....	1082.00
<ul style="list-style-type: none"> <li>• Requires two (2) 12 Volt, 7 Ah SLA batteries (not included).</li> </ul>	
<b>DC Lock Power Transformers</b>	
1812-018 12 Volt, 1000 mA.....	59.74
1812-136 24 Volt, 1000 mA.....	78.06

## Magnetic Gate Locks

### 600 Lb (272 Kg) and 1200 Lb (544 Kg) Gate Locks

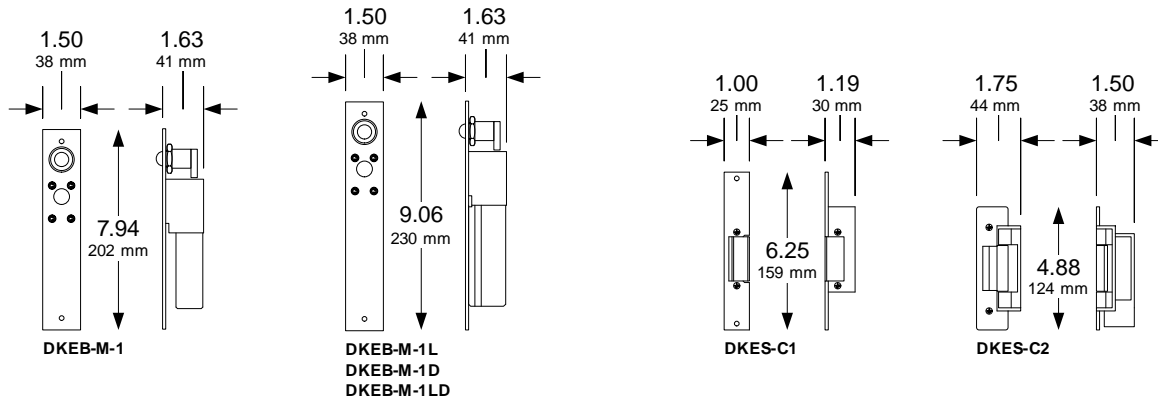


<b>1200 Lb. Gate Lock Kits Surface Mount</b>	
1216-080.....	578.00
1216-081.....	680.00
<ul style="list-style-type: none"> <li>• 1216-081 has built-in signal relay.</li> <li>• Kits include predrilled and tapped mounting brackets, BO1-GL12 and BO2-GL12.</li> </ul>	
<b>1200 Lb. Gate Locks Top, Bottom or Face Mount</b>	
DKGL-S12-1.....	480.00
DKGL-S12-1L w/Signal Relay.....	590.00
<b>600 Lb. Gate Lock Face Mount Only</b>	
DKGL-S6-1 w/Signal Relay.....	448.00
<ul style="list-style-type: none"> <li>• Gate locks operate on 12 or 24 Volt DC power.</li> </ul>	

<b>Mounting Brackets</b>	
BO1-GL12 Lock Bracket.....	97.56
BO2-GL12 Armature Bracket.....	83.62
<b>DC Lock Power Transformers</b>	
1812-018 12 Volt, 1000 mA.....	59.74
1812-136 24 Volt, 1000 mA.....	78.06

## Electric Door Locks

### Dead-bolts and Strikes



Dead-bolt Door Locks	
DKEB-M-1 .....	492.00
DKEB-M-1L .....	514.00
DKEB-M-1D .....	514.00
DKEB-M-1LD .....	540.00

- "L" includes sensor to indicate locked or unlocked condition.
- "D" includes door sensor to indicate an open or closed door.

Electric Strikes 11/32 inch (8.74 mm) keeper	
DKES-C1-1FX .....	84.86
DKES-C1-1FS .....	87.82

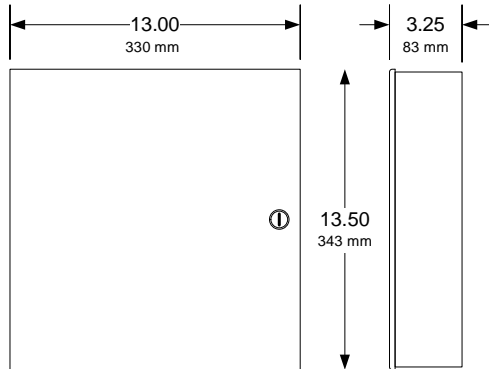
  

Electric Strikes 20/32 inch (15.88 mm) keeper	
DKES-C2-1FX .....	106.00
DKES-C2-1FS .....	110.00

- FX = Fail Secure
- FS = Fail Safe

# Magnetic Door Lock Power Supply

## Power Supply / Battery Charger



<b>Magnetic Door Lock Power Supplies (Output)<sup>1</sup></b>	
1215-130 12/24 Volt @ 1 Amp .....	348.00
1215-131 12/24 Volt @ 2.5 Amp .....	600.00
1215-132 12/24 Volt @ 3 Amp .....	746.00
1215-133 12/24 Volt @ 6 Amp .....	1082.00

- 115 VAC Input power.
- Requires two (2) 12 Volt, 7 Ah SLA batteries (not included).

<b>Agency Listings</b>				
<b>Agency</b>	<b>1215-130</b>	<b>1215-131</b>	<b>1215-132</b>	<b>1215-133</b>
UL 294 Access Control Systems	X	X	X	X
CSA C22.2 No. 205-M1983	X	X	X	X
MEA NYC Dept. of Building Safety	X	X	X	X
NFPA 101 Life Safety	X			
UL 603 Burglar Alarm Systems		X	X	
UL 1069 Hospital Signaling / Nurse Call Equipment		X	X	
UL 1481 Power Supply for Fire Signaling Systems		X	X	X
CSFM California State Fire Marshall Approved		X	X	X
NFPA 72		X	X	X
FM Approved			X	X

## Blank Page