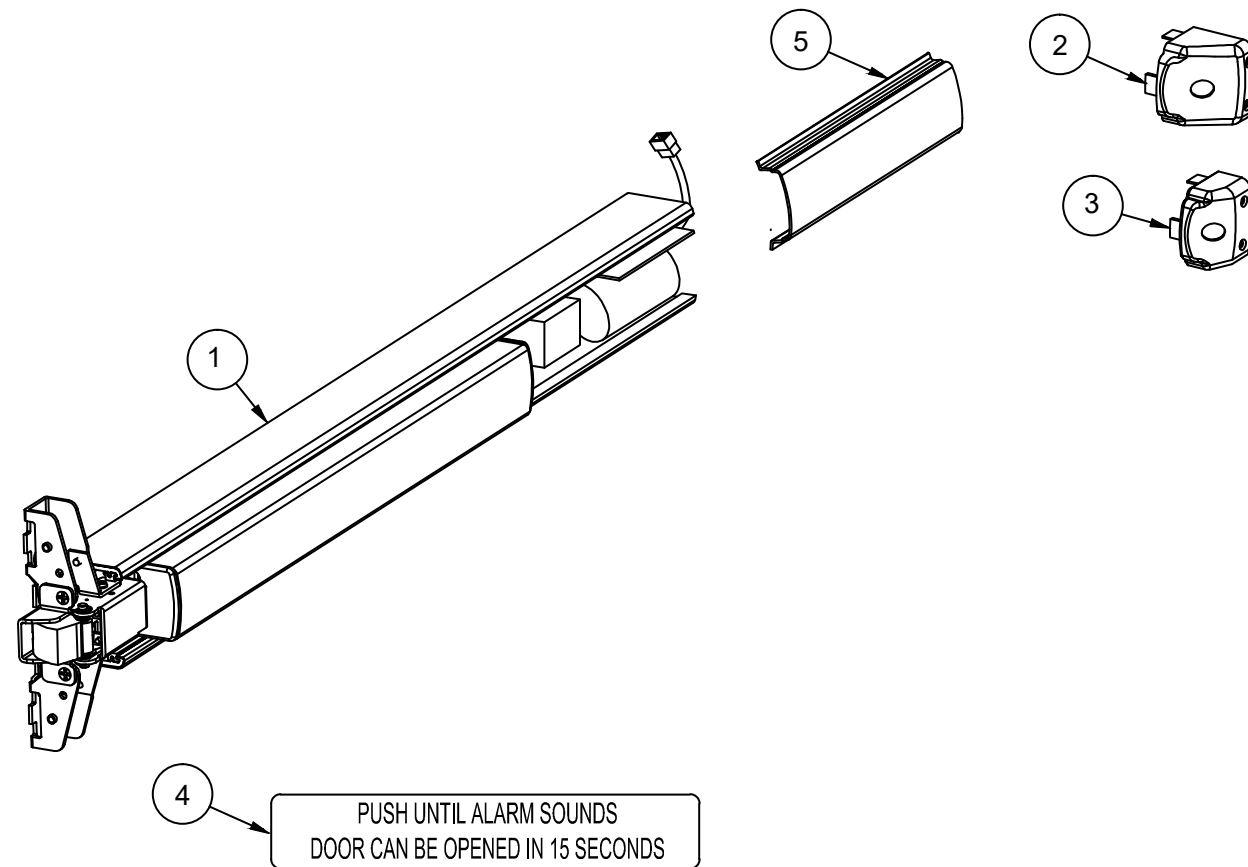


## EE ER Models Parts List



PARTS BREAKDOWN			
Item	Order Part #	Description	List Price
1	105500-56	Centercase/Pushpad SubAssembly, 10 series, EE-ER, 36", 630 finish	\$ 475.30
	105500-79	Centercase/Pushpad SubAssembly, 10 series, EE-ER, 48", 630 finish	\$ 475.30
	105500-110	Centercase/Pushpad SubAssembly, RHR 20 series, EE-ER, 36", 630 finish	\$ 475.30
	105500-14	Centercase/Pushpad SubAssembly, RHR 20 series, EE-ER, 48", 630 finish	\$ 475.30
2	102095-9	EC1 Endcap 630 finish (drilled for Flex Conduit)	\$ 115.00
3	104686-1	EC2 Endcap, Aluminum, Aluminum painted (drilled for Flex Conduit)	\$ 95.00
	104317-9	EC2 Endcap, Stainless Steel 630 finish (drilled for Flex Conduit)	\$ 94.00
4	ECL-395	Door Sign, 15 second delayed egress	\$ 13.00
	ECL-395-1	Door Sign, 30 second delayed egress	\$ 13.00
5	100860-59	Filler, 10 series, 36" device, 630 finish	\$ 111.00
	100860-60	Filler, 10 series, 48" device, 630 finish	\$ 126.00
	100860-146	Filler, 20 series, 36" device, 630 finish	\$ 530.68
	100860-147	Filler, 20 series, 48" device, 630 finish	\$ 530.68

Detex Power Supply Catalog No:  
84-800 EExER Single Door application  
85-800 EExER Double Door application

Power Supply / Controller sold separately

Your particular part or configuration may not be shown:  
Contact Detex technical support at 800-729-3839 (option 2)