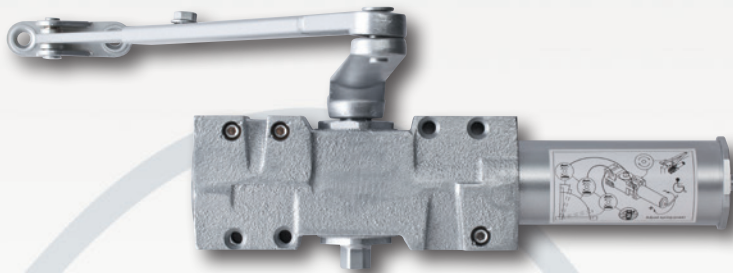


DCN500 Series Door Closers

Classic Product

The Arrow DCN500 Series Heavy Duty Surface Applied Door Closers are ideal for Institutions or other high traffic applications. The DCN500 is designed for end users looking for value and versatility in a rugged design making this series suitable for a wide variety of applications.



Compliance:

- UL/cUL listed.
- UL10C listed for positive pressure to comply with UBC-72 (1997).
- Meets the requirements of ANSI A156.4 and ANSI ICC A117.1. Grade 1
- Meets ADA requirements (Americans with Disabilities Act).



Look for the universal symbol next to Arrow products that comply with ADA accessibility requirements.

Sizes (Adjustable):

- DCN516 closers are adjustable for spring sizes 1 through 6.

Interior Door Width

	24" (610mm)	30" (762mm)	34" (865mm)	38" (965mm)	48" (1219mm)	54" (1372mm)	60" (1524mm)
--	----------------	----------------	----------------	----------------	-----------------	-----------------	-----------------

Regular Arm & Top Jamb	Size 1	Size 2	Size 3	Size 4	Size 5	Size 6	
Parallel Arm	Size 2	Size 3	Size 4	Size 5	Size 6		

Exterior (& Vestibule) Door Width

	24" (610mm)	30" (762mm)	36" (914mm)	42" (1067mm)	48" (1219mm)
--	----------------	----------------	----------------	-----------------	-----------------

Regular Arm & Top Jamb	Size 3	Size 4	Size 5	Size 6	
Parallel Arm	Size 4	Size 5	Size 6		

Features:

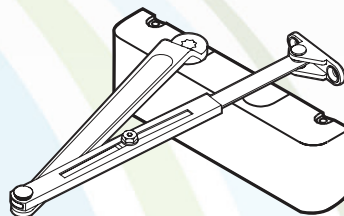
- Heavy duty cast iron body.
- Hardened steel rack and pinion.
- High tensile steel springs.
- Staked valves
- Two non-critical adjusting valves (sweep and latch) control closing speed.
- Backcheck intensity valve.
- All temperature fluid.
- Full plastic cover standard.
- Non-handed for regular, top jamb and parallel arm mount applications.
- Supplied with fully threaded self-reaming/tapping screws, sleeve nuts and thru-bolts for 1-3/4" thick doors.

- DCN516-1 Series door closers are supplied with a hold open arm.
- DCN516-2 has a heavy duty parallel arm with a stop feature for door openings between 90° and 110°.
- DCN516-3 has a heavy duty parallel arm with a stop and thumb turn hold open feature for door openings between 90° and 110°.
- Packaging: one per box and four boxes per carton.
- 10 year limited warranty.

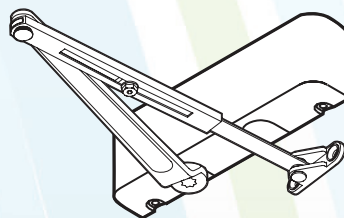
Finishes:

- Aluminum (689), Specify **AL**
- Dark Bronze (690), Specify **DBZ**
- Black Painted (693), Specify **BP**

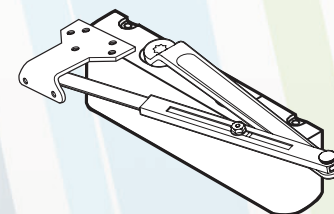
Regular Arm Installation



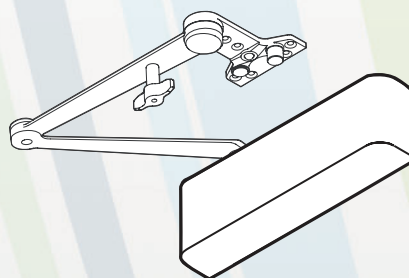
Top Jamb Installation



Parallel Arm Installation



Heavy Duty Parallel Arm Installation



Experience a safer and more open world

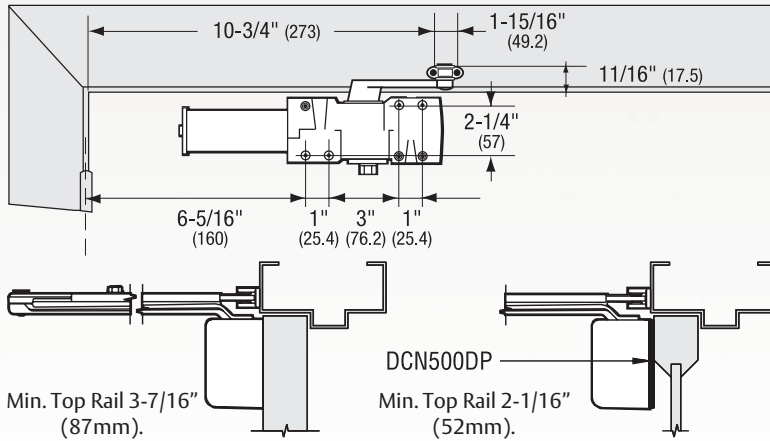
ARROW
LOCK & DOOR HARDWARE

ASSA ABLOY

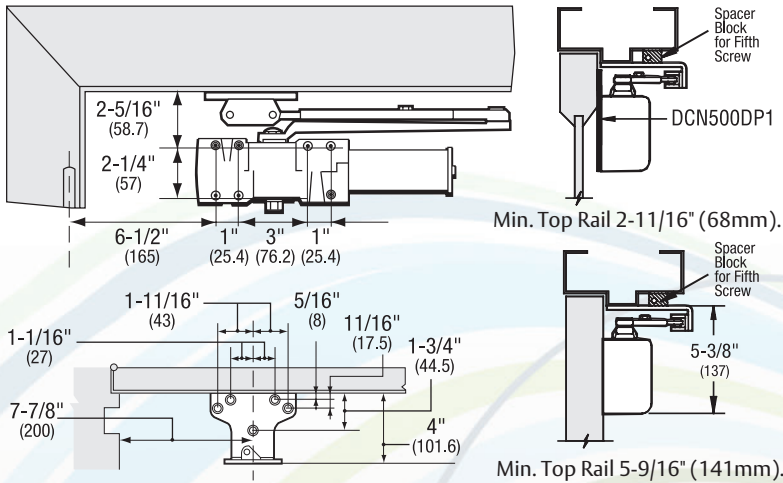
DCN500 Series Door Closers

Classic Product

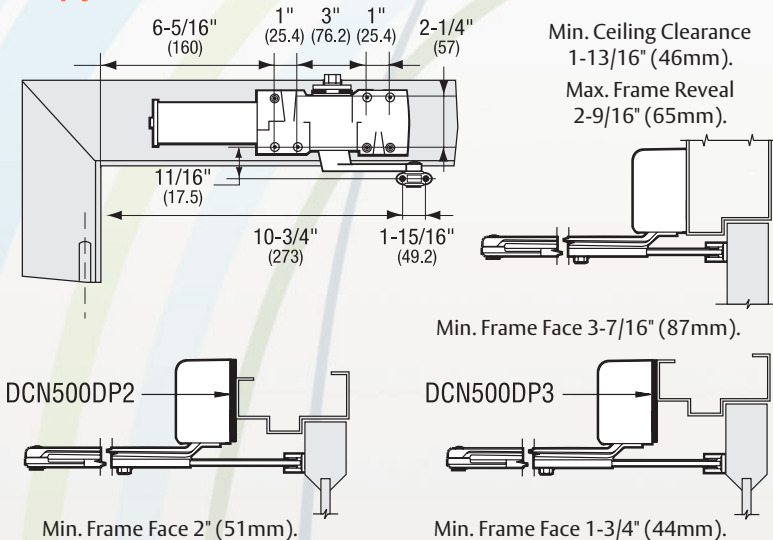
Regular Arm Installation



Parallel Arm Installation (180° maximum door swing template illustrated).

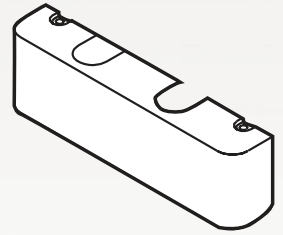


Top Jamb Installation

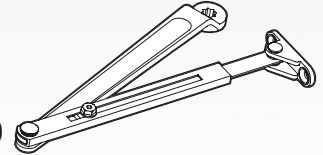


Parts:

Cover with Screw Pack
 • DCN500COV

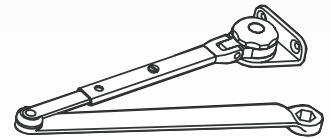


Non-Hold Open Arm
 (Standard with)
 • DCN516



(To order separately)
 • DCN500A

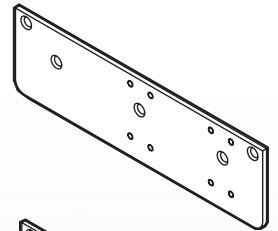
Hold Open Arm
 (Standard with)
 • DCN516-1



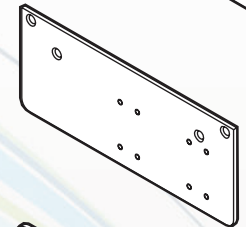
(To order separately)
 • DCN500A1

Drop Plates

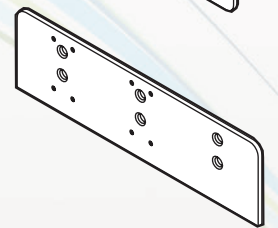
Regular Arm
 Application
 • DCN500DP



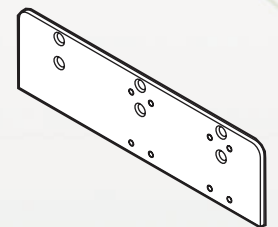
Parallel Arm
 Application
 • DCN500DP1



Top Jamb
 Application
 • DCN500DP2



Top Jamb
 Low Ceiling
 Application
 • DCN500DP3



Experience a safer
 and more open world



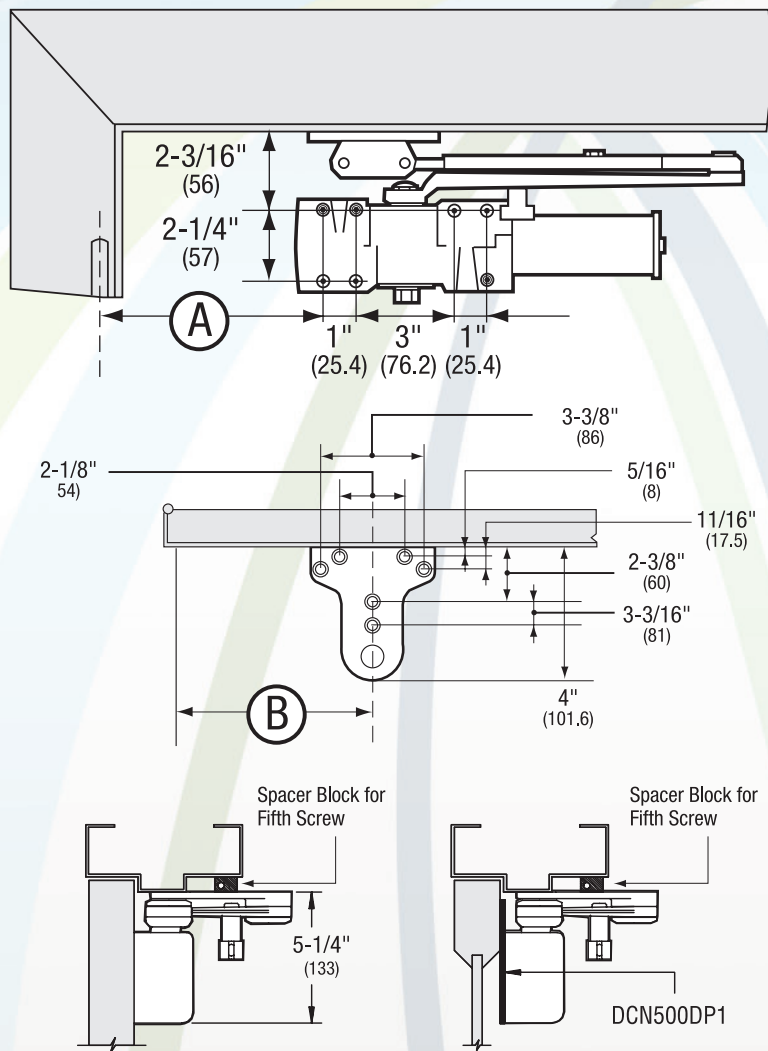
ASSA ABLOY

DCN500 Series Door Closers

Classic Product

Heavy Duty Parallel Arm with a choice:

- DCN516-2 – Non-Hold Open Arm with Stop Feature
- DCN516-3 – Thumbturn Hold Open Arm with Stop Feature
- Door Closer can be installed to stop door at: 85°, 90°, 100° or 110° of door swing.



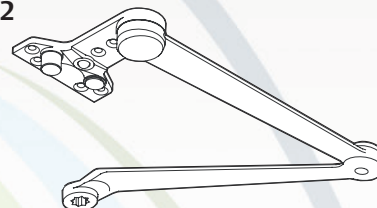
Parts:

Heavy Duty Parallel Arm Non-Hold Open with Stop Feature (Standard with)

- DCN516-2

(To order separately)

- DCN500A2

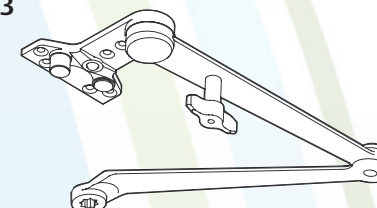


Heavy Duty Parallel Arm with Thumbturn Hold Open and Stop Feature (Standard with)

- DCN516-3

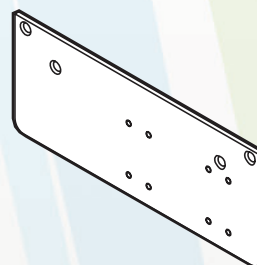
(To order separately)





- DCN500A3



Drop Plate

- DCN500DP1



"A" Dimension	9-1/2" (241)	8-3/4" (222)	7-5/8" (194)	6-5/8" (168)
"B" Dimension	11-1/8" (283)	10-1/2" (267)	9-1/4" (235)	8-3/8" (213)
Degree of Stop	85° 	90° 	100° 	110° 

DCN500 Series Door Closers

Classic Product

How to order the DCN500 Series

Ordering Example:

Quantity	Part Number	Finish
20	DCN516-3	AL

Complete Units:

	Part No.
Size 1-6, Non-Hold Open Arm with PA Bracket, Full Plastic Cover, Screw Pack, 1-3/4" Thru-bolts	DCN516
Size 1-6, Hold Open Arm with PA Bracket, Full Plastic Cover, Screw Pack, 1-3/4" Thru-bolts	DCN516-1
Size 1-6, Heavy-Duty Dead Stop NHO, Full Plastic Cover, Screw Pack, 1-3/4" Thru-bolts	DCN516-2
Size 1-6, Heavy-Duty Dead Stop HO, Full Plastic Cover, Screw Pack, 1-3/4" Thru-bolts	DCN516-3

Parts & Accessories:

	Part No.
Full Plastic Cover	DCN500CV
Drop Plate - Regular	DCN500DP
Drop Plate - Parallel Arm	DCN500DP1
Drop Plate - Top Jamb	DCN500DP2
Drop Plate - Top Jamb, Flush Ceiling	DCN500DP3
Thru-bolts 1-3/4"	DCN500TB1
Thru-bolts 1-3/8"	DCN500TB3
Thru-bolts 2-1/4"	DCN500TB2
Supplemental Reaming/Tapping Screw Pack.....	DCN500SP1
Standard Screw Pack.....	DCN500SP2
Standard Non-Hold Open Arm	DCN500A
Standard Hold Open Arm	DCN500A1
Heavy-Duty Dead Stop Arm Non-Hold Open	DCN500A2
Heavy-Duty Dead Stop Arm Hold Open	DCN500A3
Heavy-Duty Non-Hold Open Cushion Arm Kit.....	DCN500A4
Heavy-Duty Hold Open Cushion Arm Kit.....	DCN500A5

Specify Finish.