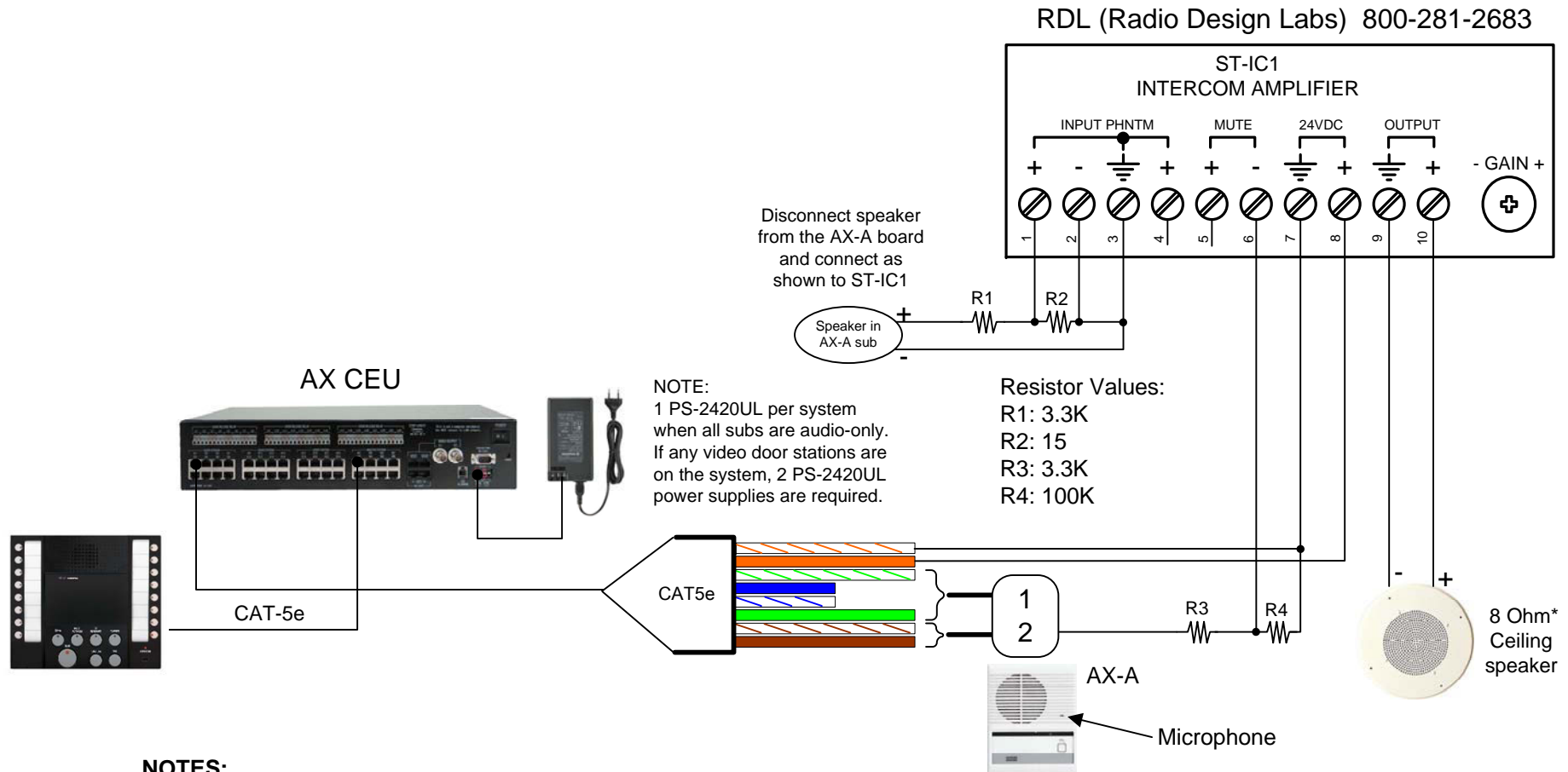


## MODIFICATION DIAGRAM

# AX-A with External Amp for Increased Volume



### NOTES:

1. For proper power distribution to the RDL amplifier, the channel on the CEU must be set as an "audio/video" door station in the system software. Refer to the AX system instructions for information on door settings.
2. \* 8 Ohm Speaker cannot be located directly above AX-A sub station. If proximity is too close between units, feedback will occur. The microphone in the audio sub station is live whenever the master has that station selected. If the audio is too loud coming from the speaker and it is too close to the sub station, this will cause acoustical feedback.
3. Receive from master is through the separate ceiling speaker. TRANSMIT to the master is through the microphone in the sub station. Person responding to a call from the master must speak toward the sub station, not the speaker.
4. RDL Intercom Amplifier: <http://www.rdlnet.com/product.php?page=105>
5. This is only a recommendation of what you may try in order to increase the receive volume at an AX-series audio door station. Results are not guaranteed by Aiphone.